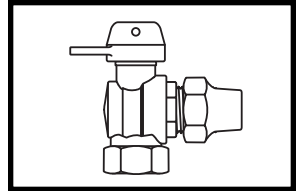


# SUBMITTAL INFORMATION

## Angle Ball Service Valves - (BA12-xxxW style)



### FEMALE IRON PIPE THREAD INLET BY FLARE COPPER OUTLET

Sturdy checks allow 90° motion and are enclosed and protected.

Padlock Wing for locking valve in closed position.

EPDM O-rings in the stem.

Fluorocarbon-coated brass ball

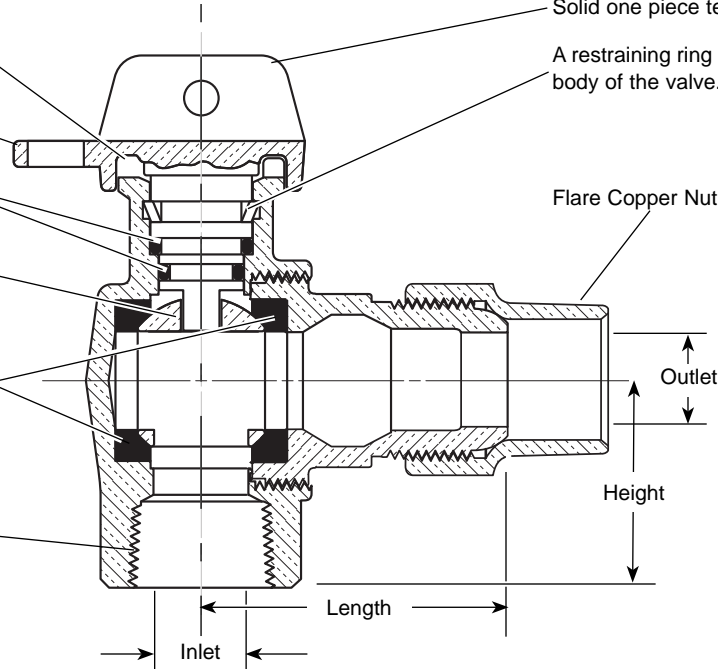
Molded EPDM rubber seats support the ball.

Female Iron Pipe Thread

Solid one piece tee-head and stem.

A restraining ring locks the stem into the body of the valve.

Flare Copper Nut



| VALVE SIZE | INLET SIZE | OUTLET SIZE | LENGTH   | HEIGHT | APPROX. WT. LBS | PART NUMBER | ✓ SUBMITTED ITEM(S) |
|------------|------------|-------------|----------|--------|-----------------|-------------|---------------------|
| 3/4"       | 3/4"       | 3/4"        | 2-1/2"   | 1-5/8" | 2.3             | ▼ BA12-333W |                     |
| 3/4"       | 1"         | 3/4"        | 2-1/2"   | 1-7/8" | 2.9             | ▼ BA12-343W |                     |
| 3/4"       | 1"         | 1"          | 2-11/16" | 1-7/8" | 2.8             | ▼ BA12-344W |                     |

▼ UL Classified to ANSI/NSF Standard 61.



### FEATURES

- All brass conforms to AWWA Standard C800 (ASTM B-62 and ASTM B-584, UNS NO C83600 - 85-5-5-5)
- Ends are integral or secured with adhesive to prevent unintentional disassembly.
- Hole for attaching handle is provided in the tee-head.
- 300 PSI working pressure.
- Padlock Wing for locking valve in closed position.

**Note:** Recommended flow from inlet to outlet.

**Optional full 360° tee-head rotation.** Add "R" to end of part number.

The Ford Meter Box Company considers the information in this submittal form to be correct at the time of publication. Item and option availability, including specifications, are subject to change without notice. Please verify that your product information is current.



**The Ford Meter Box Company, Inc.**

P.O. Box 443, Wabash, Indiana U.S.A. 46992-0443

Phone: 260-563-3171 / Fax: 800-826-3487

Overseas Fax: 260-563-0167

<http://www.fordmeterbox.com>

07/05/05

Submitted By: