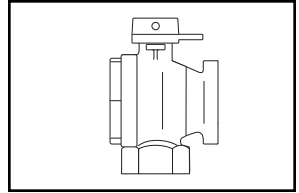
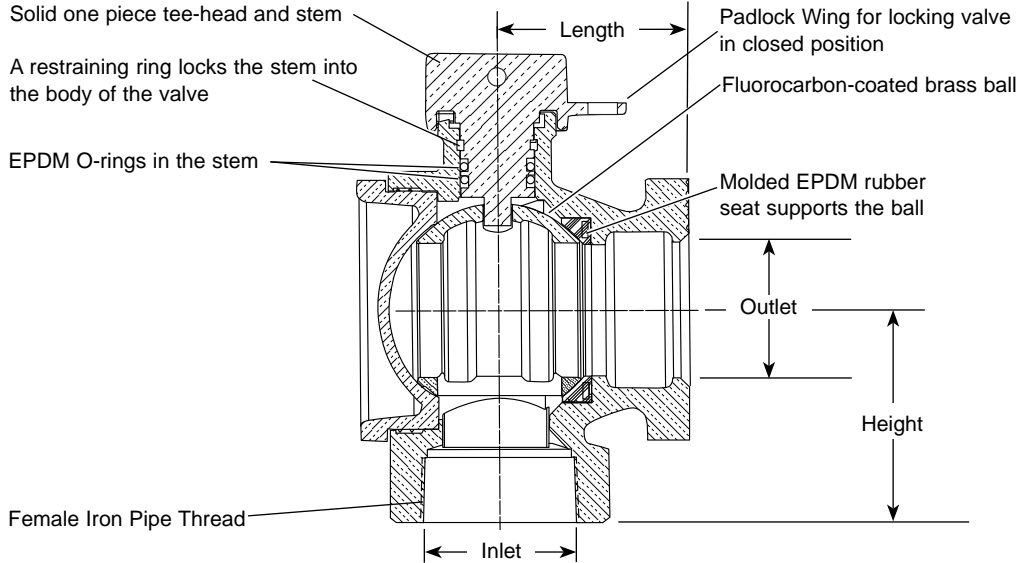


SUBMITTAL INFORMATION

Angle Ball Flange Meter Valves - (BFA13-xxxW style)



FEMALE IRON PIPE THREAD INLET BY METER FLANGE OUTLET



VALVE SIZE	SERVICE LINE SIZE INLET	METER SIZE OUTLET	LENGTH	HEIGHT	APPROX. Wt. LBS	PART NUMBER	✓ SUBMITTED ITEM(S)
1-1/2"	1-1/2"	1-1/2"	2-1/2"	2-13/16"	8.3	▼▼ BFA13-666W	
2"	2"	1-1/2" and 2"	2-7/8"	3-1/4"	11.2	▼▼ BFA13-777W	

▼▼ Add "-K" to end of catalog number for item to be UL classified to ANSI/NSF Standard 61.



FEATURES

- All brass conforms to AWWA Standard C800 (ASTM B-62 and ASTM B-584, UNS NO C83600 - 85-5-5-5).
- Valve is non-directional and is watertight with flow in either direction.
- Hole for attaching handle is provided in tee-head.
- 300 PSI working pressure in either direction.
- Includes EPDM drop-in style meter gasket.
- Padlock Wing for locking valve in closed position.
- Suitable for customer side shut off (outlet side of meter) up to 300 PSI.
- Slotted holes are standard on 2" Flanged Meter Valves, allowing 1-1/2" Flange Meter connection.

Optional: Full 360° tee-head rotation. Add "R" to the end of the part number.
Meter support brackets. Add "-MSB" to the end of the part number.

The Ford Meter Box Company considers the information in this submittal form to be correct at the time of publication. Item and option availability, including specifications, are subject to change without notice. Please verify that your product information is current.



The Ford Meter Box Company, Inc.

P.O. Box 443, Wabash, Indiana U.S.A. 46992-0443

Phone: 260-563-3171 / Fax: 800-826-3487

Overseas Fax: 260-563-0167

<http://www.fordmeterbox.com>

02/22/07

Submitted By: