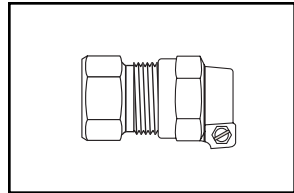
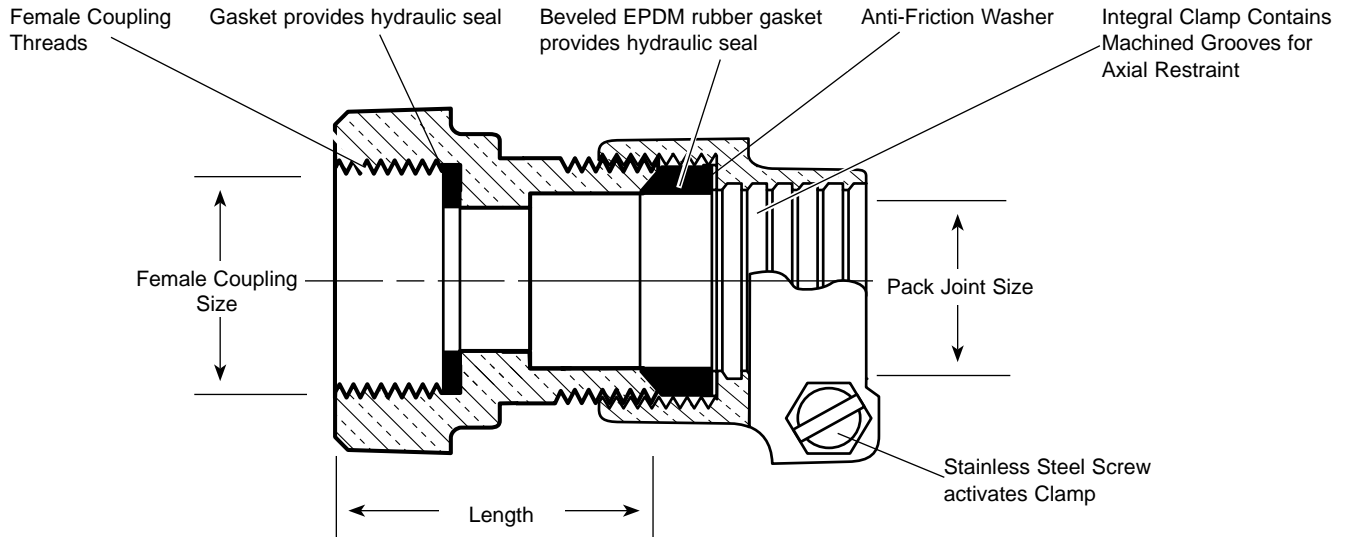


SUBMITTAL INFORMATION

Corporation Stop Coupling - (C104-xx style)



FEMALE COUPLING THREAD INLET BY PACK JOINT FOR COPPER OR PLASTIC TUBING (CTS) OUTLET



CORP SIZE	COUPLING DESCRIPTION		LENGTH	APPROX. WT. LBS	PART NUMBER	✓ SUBMITTED ITEM(S)
	FEMALE COUPLING	P.J. FOR CTS				
5/8"	5/8"	3/4"	1-5/16"	.7	C104-23	
3/4"	3/4"	3/4"	1-1/2"	.7	C104-33	
1"	1"	1"	1-15/16"	1.0	C104-44	

Note: Ford recommends insert stiffeners when using plastic pipe or tubing

FEATURES

- All brass conforms to AWWA Standard C800 (ASTM B-62 and ASTM B-584, UNS NO C83600 - 85-5-5-5)
- Sleeve design provides hexagonal wrench flats for proper installation.
- Fits F200 and F300 Corporation Stops - gaskets are included.

The Ford Meter Box Company considers the information in this submittal form to be correct at the time of publication. Item and option availability, including specifications, are subject to change without notice. Please verify that your product information is current.



The Ford Meter Box Company, Inc.

P.O. Box 443, Wabash, Indiana U.S.A. 46992-0443

Phone: 260-563-3171 / Fax: 800-826-3487

Overseas Fax: 260-563-0167

<http://www.fordmeterbox.com>

08/30/04

Submitted By:

Blank space for signature or name.