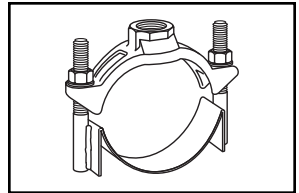


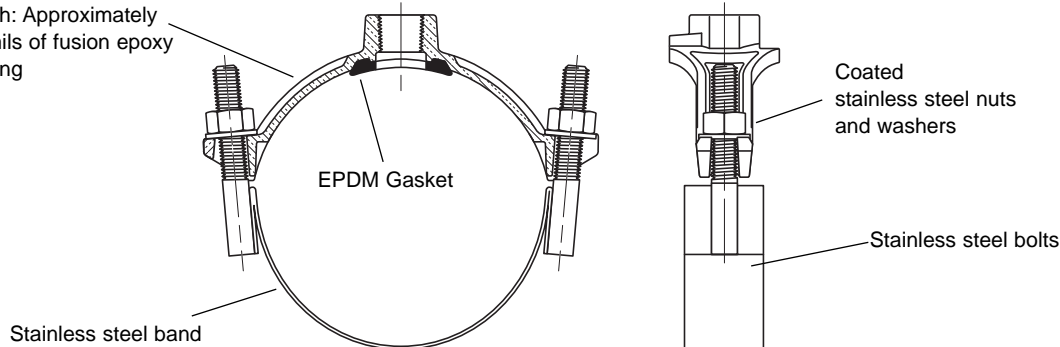
# SUBMITTAL INFORMATION

## Iron Service Saddles - (FC101-xxx-xxx style)



### FC101 EPOXY COATED SINGLE BAND IRON SERVICE SADDLES

Finish: Approximately 12 mils of fusion epoxy coating



NOM. PIPE SIZE	O.D. RANGE	APPROX. WT. LBS.	CATALOG NUMBER	✓ SUBMITTED ITEM(S)
2"	2.35 - 2.50	1.8	▼ FC101-250-Tap	
2-1/2"	2.75 - 2.90	2.0	▼ FC101-290-Tap	
3"	3.46 - 3.80	2.3	▼ FC101-380-Tap	
	3.80 - 4.25	2.5	▼ FC101-425-Tap	
4"	4.26 - 4.73	3.0	▼ FC101-473-Tap	
	4.74 - 5.26	3.2	▼* FC101-526-Tap	
6"	5.94 - 6.69	3.5	▼ FC101-669-Tap	
	6.84 - 7.60	3.5	▼* FC101-760-Tap	
8"	7.93 - 8.71	4.1	▼ FC101-871-Tap	
	8.99 - 9.79	4.5	▼* FC101-979-Tap	
10"	10.00 - 10.75	5.8	▼ FC101-1075-Tap	
	11.10 - 12.12	5.8	▼ FC101-1212-Tap	
12"	12.00 - 12.75	7.0	▼ FC101-1275-Tap	
	13.20 - 14.38	7.0	▼ FC101-1438-Tap	

\* These Saddles are available with 1-1/4", 1-1/2" and 2" taps

▼ UL Classified to ANSI/NSF Standard 61.

#### OUTLET TAP CODE

CC (AWWA) THREAD		
THREAD	CODE NUMBER	✓ SUBMITTED ITEM(S)
1/2" CC	CC1	
3/4" CC	CC3	
1" CC	CC4	
TAPS AVAILABLE WITH SADDLES INDICATED BY ASTERISK (*)		
1-1/4" CC	CC5	
1-1/2" CC	CC6	
2" CC	CC7	

IP THREAD		
THREAD	CODE NUMBER	✓ SUBMITTED ITEM(S)
3/4" IP	IP3	
1" IP	IP4	
TAPS AVAILABLE WITH SADDLES INDICATED BY ASTERISK (*)		
1-1/4" IP	IP5	
1-1/2" IP	IP6	
2" IP	IP7	

#### FEATURES

- Body made of high strength ductile iron per ASTM A536.
- Wide Band and 5/8" UNC threaded bolts of 18-8 type 304 stainless steel. 1/2" bolts are furnished on saddles 3" and smaller.
- Gasket is EPDM rubber, ASTM-D2000
- Finish on saddle body is fusion epoxy coat approximately 12 mils thick.

The Ford Meter Box Company considers the information in this submittal form to be correct at the time of publication. Item and option availability, including specifications, are subject to change without notice. Please verify that your product information is current.



#### The Ford Meter Box Company, Inc.

P.O. Box 443, Wabash, Indiana U.S.A. 46992-0443

Phone: 260-563-3171 / Fax: 800-826-3487

Overseas Fax: 260-563-0167

<http://www.fordmeterbox.com>

11/29/07

Submitted By: