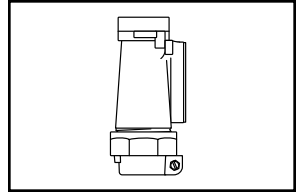
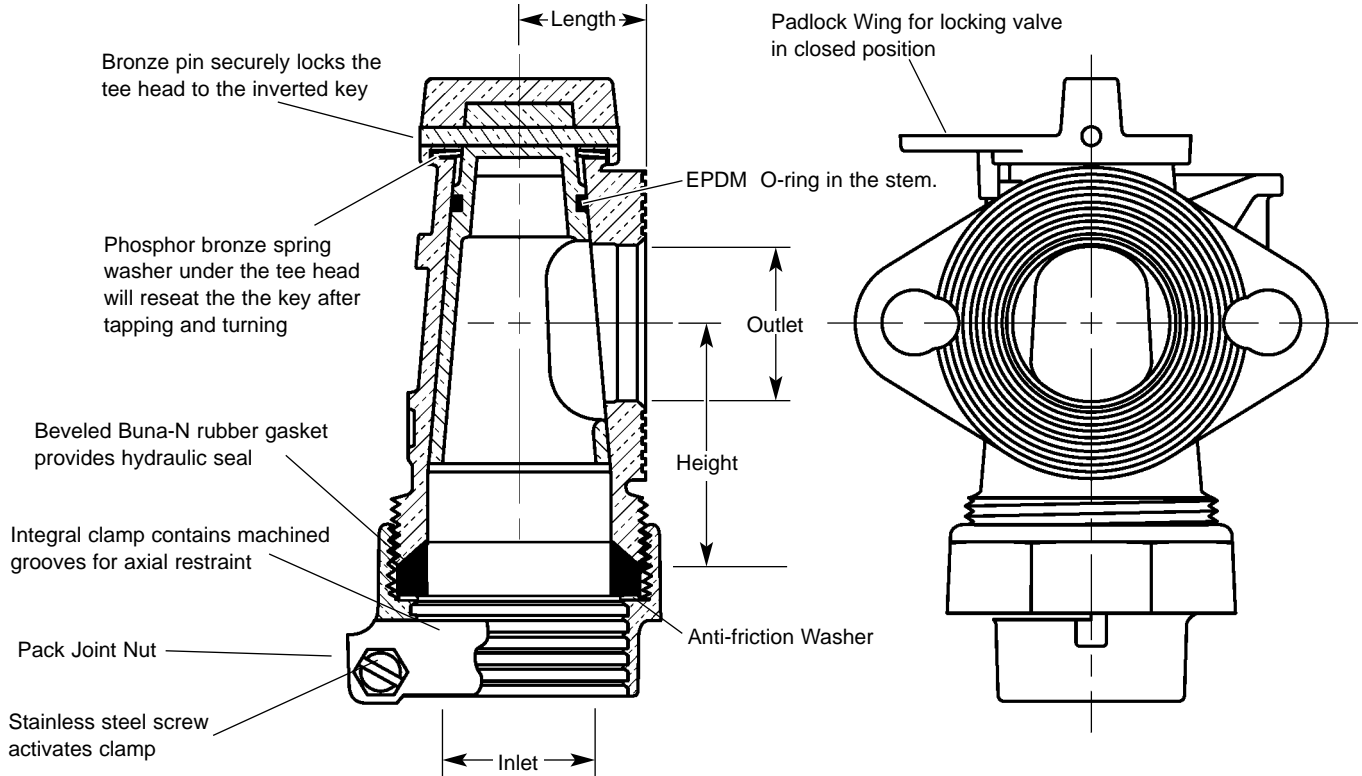


# SUBMITTAL INFORMATION

## Angle Key Flange Meter Valves - (FV63-xxxW style)



### PACK JOINT FOR POLYETHYLENE PIPE (PEP) INLET BY METER FLANGE OUTLET



VALVE SIZE	SERVICE LINE SIZE INLET	METER SIZE OUTLET	LENGTH	HEIGHT	APPROX. WT. LBS	PART NUMBER	✓ SUBMITTED ITEM(S)
1-1/2"	1-1/2"	1-1/2"	1-1/4"	3"	7.1	FV63-666W-IDR7	
2"	2"	1-1/2" & 2"	1-1/2"	3-1/8"	9.4	FV63-777W-IDR7	

### FEATURES

- All brass conforms to AWWA Standard C800 (ASTM B-62, UNS NO C83600 - 85-5-5-5).
- Padlock Wing for locking valve in closed position.
- Flat drop-in gaskets included.
- Slotted holes are standard on 2" Flanged Angle Meter Valves.
- Meets 80 PSI working pressure requirements of AWWA Standard C800.

**Optional Meter Support Brackets.** Add "-MSB" to end of Part Number.

The Ford Meter Box Company considers the information in this submittal form to be correct at the time of publication. Item and option availability, including specifications, are subject to change without notice. Please verify that your product information is current.



**The Ford Meter Box Company, Inc.**

P.O. Box 443, Wabash, Indiana U.S.A. 46992-0443

Phone: 260-563-3171 / Fax: 800-826-3487

Overseas Fax: 260-563-0167

<http://www.fordmeterbox.com>

03/07/00

Submitted By: