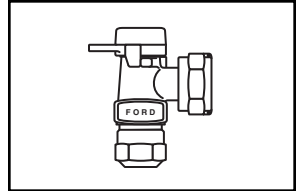
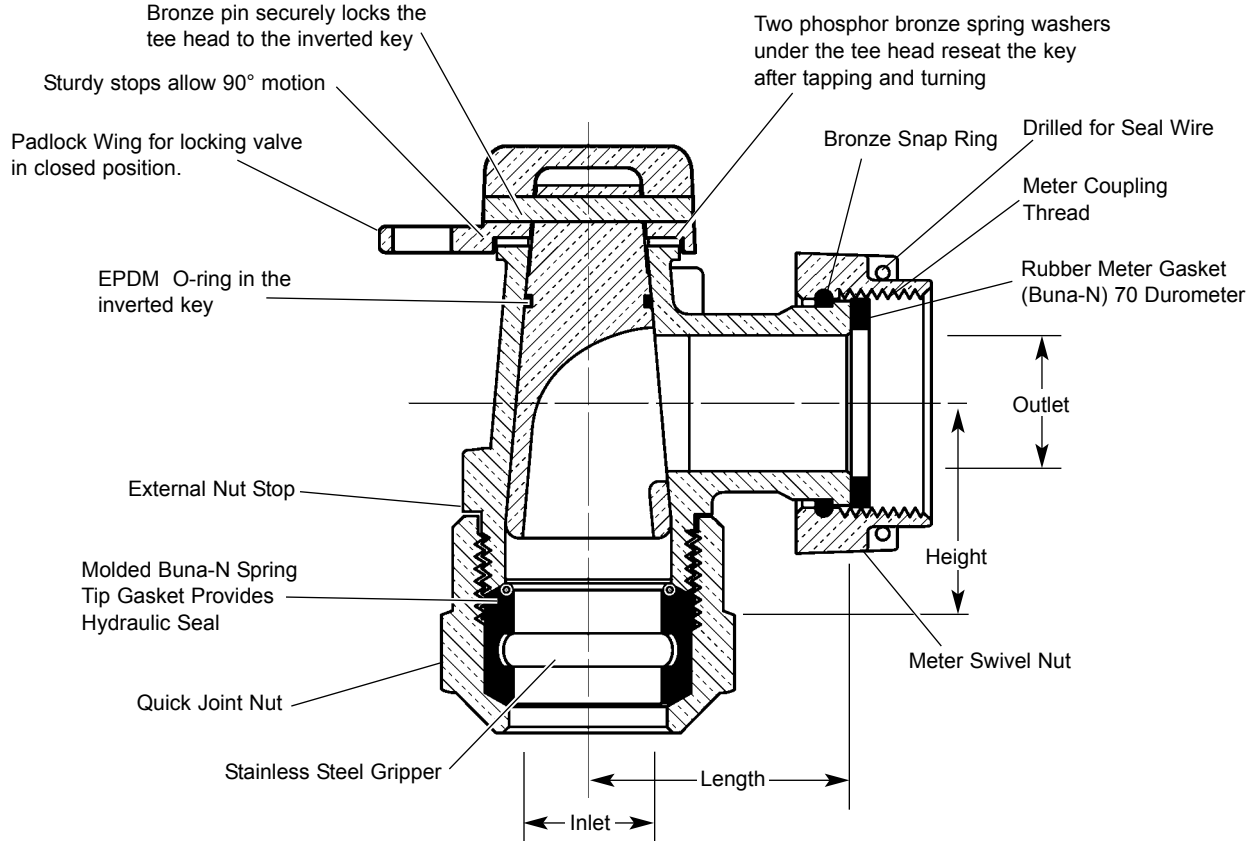


SUBMITTAL INFORMATION

Angle Key Meter Valves - (KV43-xxxW-Q style)



QUICK JOINT FOR COPPER OR PLASTIC TUBING (CTS) INLET BY METER SWIVEL NUT OUTLET



VALVE SIZE	SERVICE LINE SIZE INLET	METER SIZE OUTLET	LENGTH	HEIGHT	APPROX. WT. LBS	PART NUMBER	✓ SUBMITTED ITEM(S)
3/4"	3/4"	5/8"x3/4" & 3/4"	1-11/16"	1-21/32"	1.6	KV43-332W-Q	
3/4"	1"	5/8"x3/4" & 3/4"	1-11/16"	2-9/32"	1.7	KV43-342W-Q	
1"	1"	1"	1-15/16"	1-57/64"	2.3	KV43-444W-Q	

Ford recommends insert stiffeners when using plastic pipe or tubing

FEATURES

- All brass conforms to AWWA Standard C800 (ASTM B-62 and/or ASTM B584, UNS NO C83600 - 85-5-5-5)
- Padlock Wing for locking the valve in a closed position.
- Meets 100 PSI working pressure requirement of AWWA Standard C800.

The Ford Meter Box Company considers the information in this submittal form to be correct at the time of publication. Item and option availability, including specifications, are subject to change without notice. Please verify that your product information is current.



The Ford Meter Box Company, Inc.

P.O. Box 443, Wabash, Indiana U.S.A. 46992-0443

Phone: 260-563-3171 / Fax: 800-826-3487

Overseas Fax: 260-563-0167

<http://www.fordmeterbox.com>

04/11/03

Submitted By: