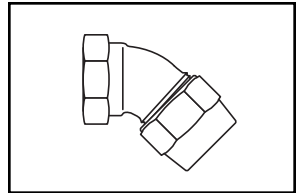
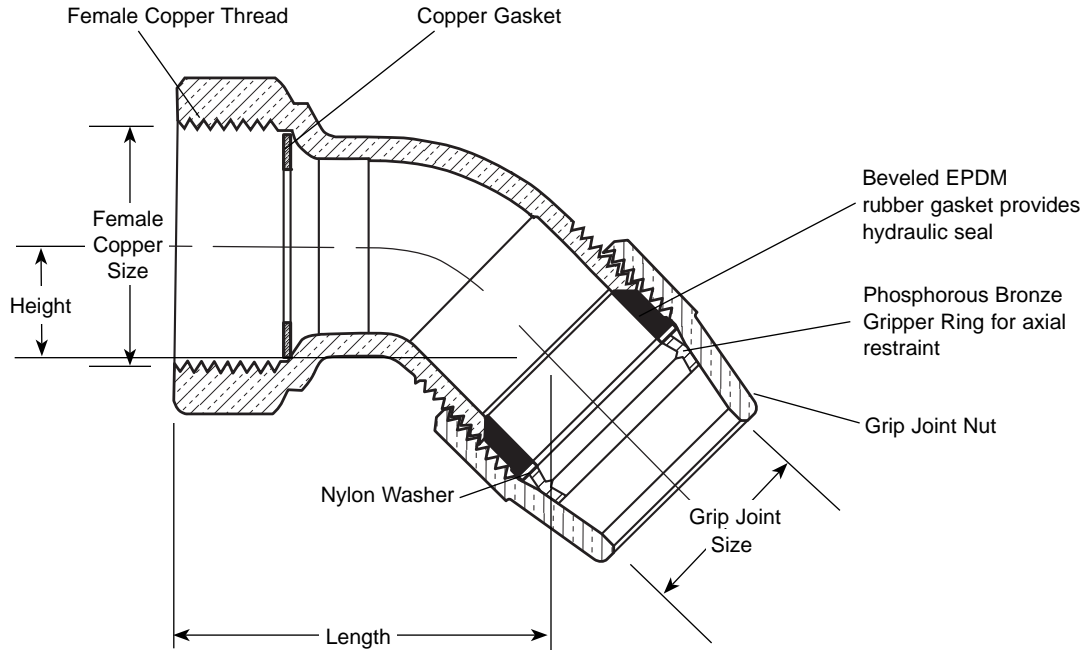


SUBMITTAL INFORMATION

Grip Joint Eighth Bend Coupling - (LA04-xx-G style)



FEMALE COPPER THREAD BY GRIP JOINT FOR COPPER OR PLASTIC TUBING (CTS)



DESCRIPTION		LENGTH	HEIGHT	APPROX. Wt. LBS	PART NUMBER	✓ SUBMITTED ITEM(S)
FEMALE COPPER	G.J. FOR CTS					
3/4"	3/4"	1-7/8"	5/8"	.8	▼ LA04-33-G	
1"	1"	2-1/2"	3/4"	1.1	▼ LA04-44-G	
1-1/2"	1-1/2"	3"	7/8"	2.6	▼▼ LA04-66-G	
2"	2"	3-7/8"	1-1/8"	4.1	▼▼ LA04-77-G	



▼ UL Classified to ANSI/NSF Standard 61.

▼▼ Add "- K" to end of catalog number for item to be UL classified to ANSI/NSF Standard 61.

Note: Ford recommends using insert stiffeners with plastic pipe or tubing.

FEATURES

- All brass conforms to AWWA Standard C800 (ASTM B-62 and ASTM B-584, UNS NO C83600 - 85-5-5-5)
- Copper gasket included to ensure proper inlet seal.

The Ford Meter Box Company considers the information in this submittal form to be correct at the time of publication. Item and option availability, including specifications, are subject to change without notice. Please verify that your product information is current.



The Ford Meter Box Company, Inc.

P.O. Box 443, Wabash, Indiana U.S.A. 46992-0443

Phone: 260-563-3171 / Fax: 800-826-3487

Overseas Fax: 260-563-0167

<http://www.fordmeterbox.com>

04/18/08

Submitted By: