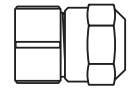
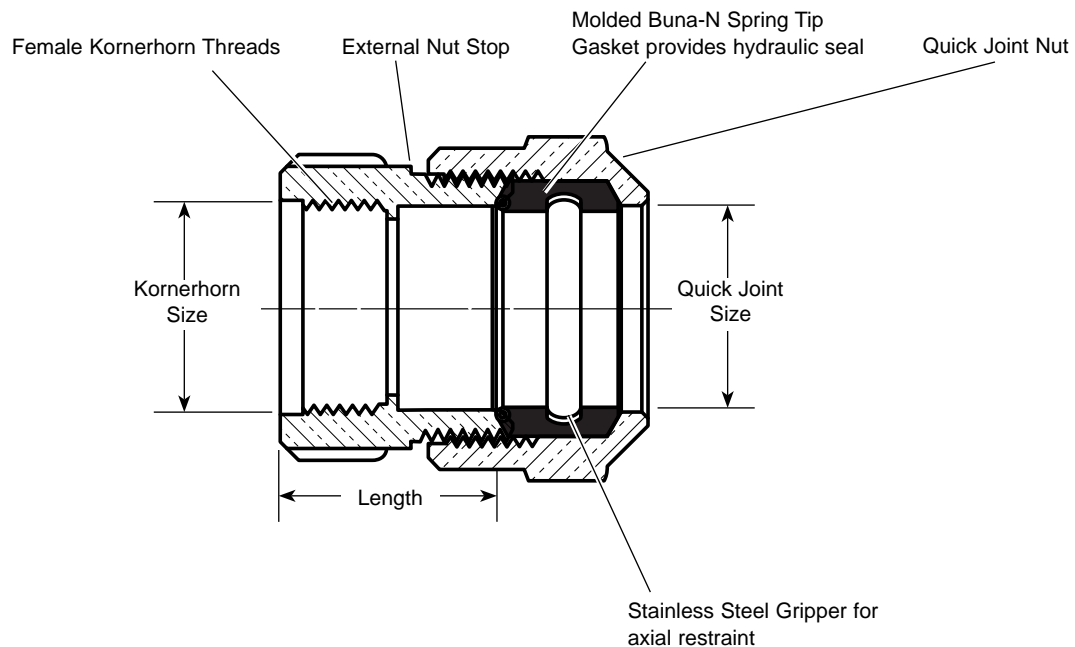


SUBMITTAL INFORMATION

Quick Joint Assembly - (PJA4-xx-Q style)



FEMALE KORNERHORN THREAD BY QUICK JOINT FOR COPPER OR PLASTIC TUBING (CTS)



DESCRIPTION		LENGTH	APPROX. WT. LBS	PART NUMBER	✓ SUBMITTED ITEM(S)
KORNERHORN SIZE	Q.J. FOR CTS				
No. 1, 2, 3 Kornerhorn	1/2"	1-5/8"	.7	PJA4-11-Q	
No. 1, 2, 3 Kornerhorn	3/4"	1-9/32"	.6	PJA4-13-Q	

Note: Ford recommends using insert stiffeners with plastic pipe or tubing.

Note: Two adapters required per Kornerhorn.

Note: PJAxx adapters are required for fittings with male Kornerhorn threads.

FEATURES

- All brass conforms to AWWA Standard C800 (ASTM B-62 and ASTM B-584, UNS NO C83600 - 85-5-5-5)

The Ford Meter Box Company considers the information in this submittal form to be correct at the time of publication. Item and option availability, including specifications, are subject to change without notice. Please verify that your product information is current.



The Ford Meter Box Company, Inc.

P.O. Box 443, Wabash, Indiana U.S.A. 46992-0443

Phone: 260-563-3171 / Fax: 800-826-3487

Overseas Fax: 260-563-0167

<http://www.fordmeterbox.com>

05/09/07

Submitted By: