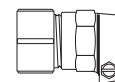


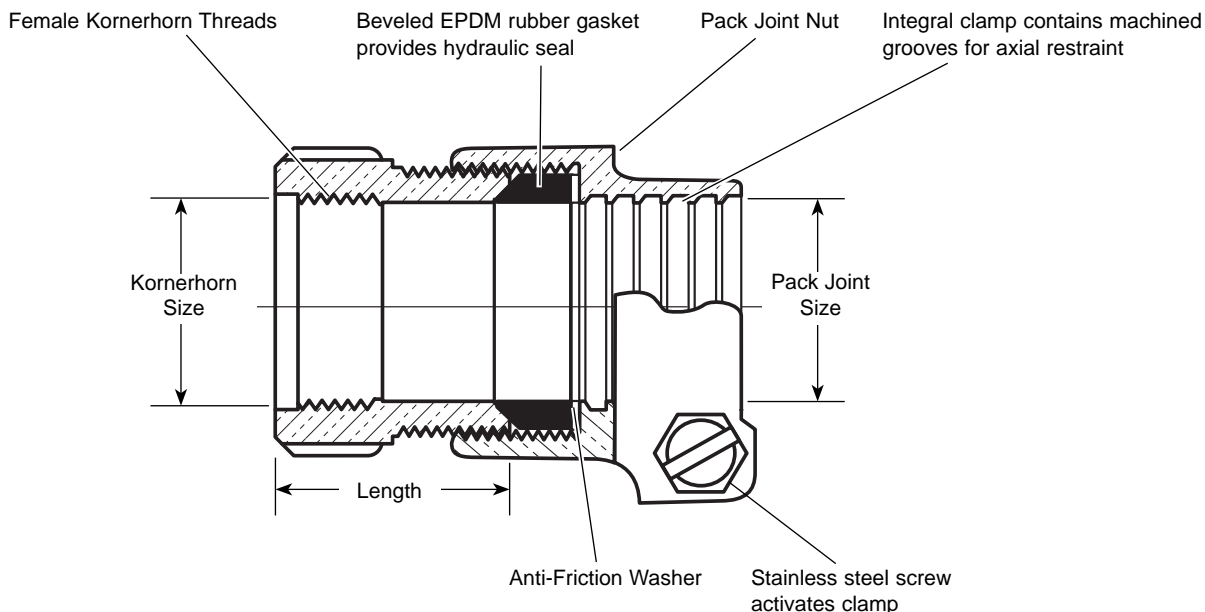
SUBMITTAL INFORMATION

Pack Joint Assembly - (PJA4-xx style)



PACK JOINT ASSEMBLY FOR KORNERHORNS, 270 SERIES COPPERSETTERS, CUT-IN LINESETTERS/TEES AND VALVES/CHECK VALVES WITH MALE KORNERHORN THREADS

FEMALE KORNERHORN THREAD BY PACK JOINT FOR COPPER OR PLASTIC TUBING (CTS)



DESCRIPTION		LENGTH	APPROX. Wt. LBS	PART NUMBER	✓ SUBMITTED ITEM(S)
THREAD TYPE AND SIZE	P.J. FOR CTS				
3/4" Kornerhorn Thread	1/2"	1-7/16"	.5	▼ PJA4-11	
	3/4"	1-5/16"	.5	▼ PJA4-13	
	1"	2-1/16"	.7	▼ PJA4-14	
	1-1/4"	2"	1.2	▼ PJA4-15	
	1-1/2"	3-9/16"	2.3	▼*PJA4-16-AWT	
1-1/4" MIP	1"	1-13/16"	.9	▼ PJA4-44-C14-54	
	1-1/4"	2"	1.3	▼ PJA4-45	
	1-1/2"	2-1/8"	1.7	▼ PJA4-46-C14-56	

*AWT items are two adapter pieces assembled water tight.

Note: Ford recommends using insert stiffeners with plastic pipe or tubing.

Note: Two adapters required per Kornerhorn.

Note: PJAxx-xx adapters are required for fittings with male Kornerhorn threads.

▼ UL Classified to ANSI/NSF Standard 61.



WATER QUALITY



FEATURES

- All brass conforms to AWWA Standard C800 (ASTM B-62 and ASTM B-584, UNS NO C83600 - 85-5-5-5)

The Ford Meter Box Company considers the information in this submittal form to be correct at the time of publication. Item and option availability, including specifications, are subject to change without notice. Please verify that your product information is current.



The Ford Meter Box Company, Inc.

P.O. Box 443, Wabash, Indiana U.S.A. 46992-0443

Phone: 260-563-3171 / Fax: 800-826-3487

Overseas Fax: 260-563-0167

<http://www.fordmeterbox.com>

05/21/09

Submitted By: