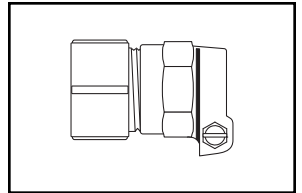


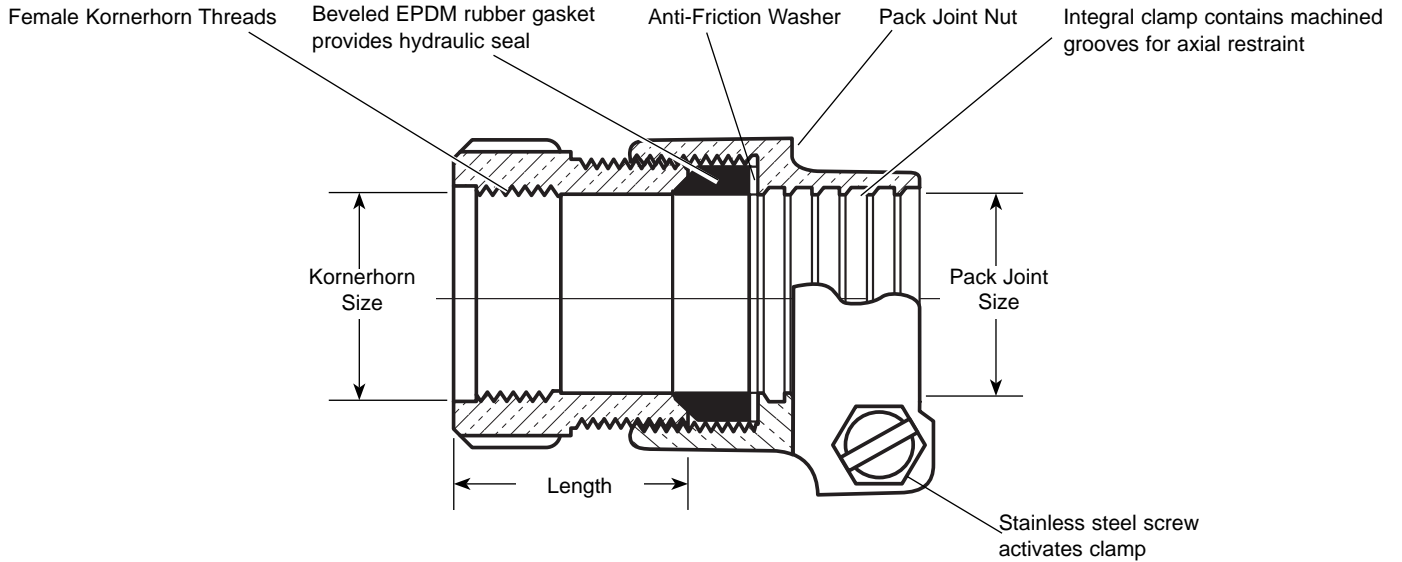
# SUBMITTAL INFORMATION

## Pack Joint Assembly - (PJA7-xx style)



**PACK JOINT ASSEMBLY FOR KORNERHORNS, 270 SERIES COPPERSETTERS, CUT-IN LINESETTERS/TEES AND VALVES/CHECK VALVES WITH MALE KORNERHORN THREADS**

### FEMALE KORNERHORN THREAD BY PACK JOINT FOR PVC PIPE



DESCRIPTION		LENGTH	APPROX. WT. LBS	PART NUMBER	✓ SUBMITTED ITEM(S)
THREAD TYPE AND SIZE	P.J. FOR PVC				
3/4" Kornerhorn Thread	1/2"	1-11/32"	.6	▼ PJA7-11	
	3/4"	1-5/16"	.6	▼ PJA7-13	
	1"	2"	1.4	▼ PJA7-14	
	1-1/4"	2-1/8"	1.8	▼ PJA7-15	
	1-1/2"	3-5/8"	2.3	▼*PJA7-16-AWT	
1-1/4" MIP	1"	1-15/16"	1.6	▼ PJA7-44	
	1-1/4"	2-1/8"	1.6	▼ PJA7-45-C17-55	
	1-1/2"	2-3/8"	2.1	▼ PJA7-46	



\* AWT items are two adapter pieces assembled water tight.

**Note:** Two PJAxx-xx adapters are required for all setters with male Kornerhorn threads.

**Note:** Ford Pack Joints for PVC are recommended for Schedule 40 and Schedule 80 pipe.

▼ UL Classified to ANSI/NSF Standard 61.

## FEATURES

- All brass conforms to AWWA Standard C800 (ASTM B-62 and ASTM B-584, UNS NO C83600 - 85-5-5-5)

The Ford Meter Box Company considers the information in this submittal form to be correct at the time of publication. Item and option availability, including specifications, are subject to change without notice. Please verify that your product information is current.



**The Ford Meter Box Company, Inc.**

P.O. Box 443, Wabash, Indiana U.S.A. 46992-0443

Phone: 260-563-3171 / Fax: 800-826-3487

Overseas Fax: 260-563-0167

<http://www.fordmeterbox.com>

05/21/09

Submitted By: