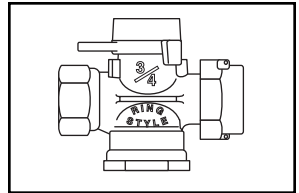
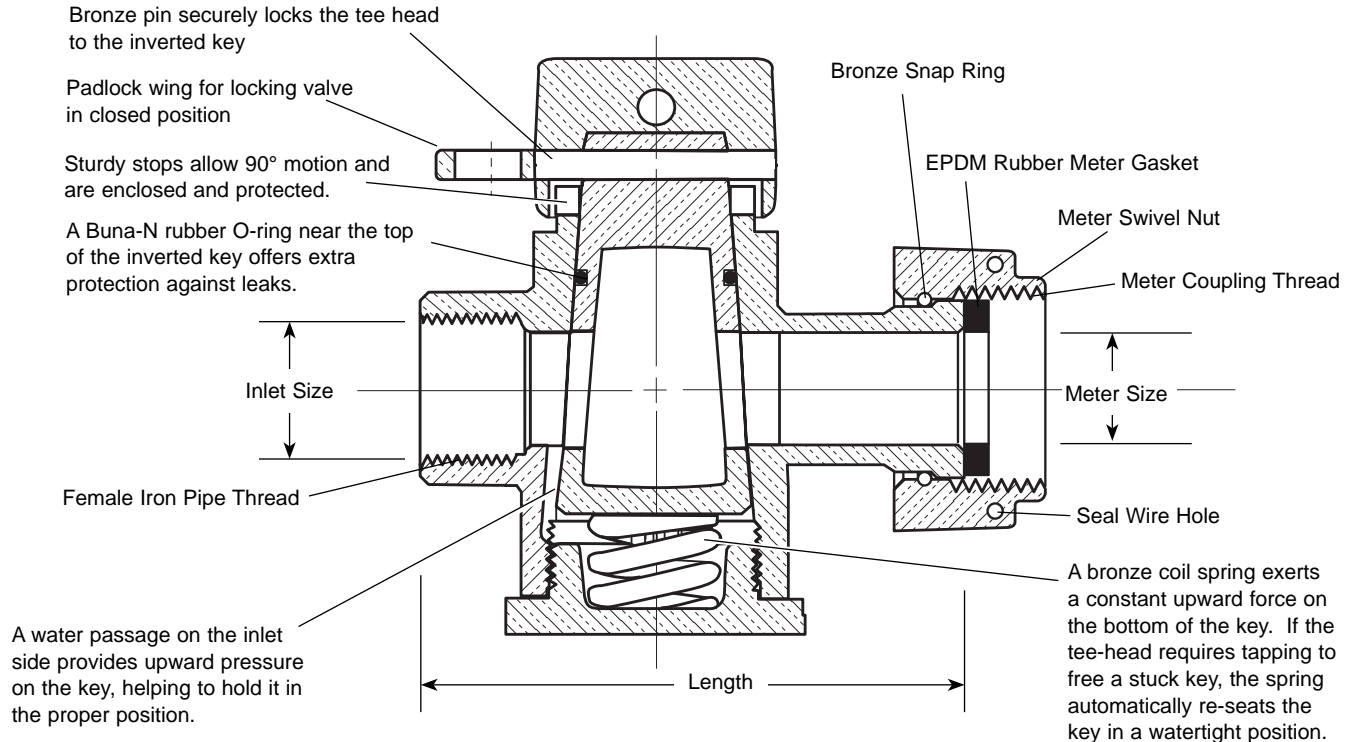


# SUBMITTAL INFORMATION

## Straight Key Meter Valve - (SV13-xxxW style)



### FEMALE IRON PIPE THREAD INLET BY METER SWIVEL NUT OUTLET



VALVE SIZE	SERVICE LINE SIZE	METER SIZE	LENGTH	APPROX. WT. LBS	PART NUMBER	✓ SUBMITTED ITEM(S)
3/4"	3/4"	5/8"	3-3/8"	1.9	▼ SV13-331W	
3/4"	3/4"	5/8"x3/4" & 3/4"	3-3/8"	2.1	▼ SV13-332W	
1"	1"	1"	4-13/16"	3.9	▼ SV13-444W	

▼ UL Classified to ANSI/NSF Standard 61.



### FEATURES

- All brass conforms to AWWA Standard C800 (ASTM B-62 and ASTM B-584, UNS NO C83600 - 85-5-5-5)
- Hole for attaching handle is provided in tee-head.
- Meets 100 PSI pressure requirement of AWWA Standard C800.
- Conforms to AWWA C700 for Meter Threads.

The Ford Meter Box Company considers the information in this submittal form to be correct at the time of publication. Item and option availability, including specifications, are subject to change without notice. Please verify that your product information is current.



#### The Ford Meter Box Company, Inc.

P.O. Box 443, Wabash, Indiana U.S.A. 46992-0443

Phone: 260-563-3171 / Fax: 800-826-3487

Overseas Fax: 260-563-0167

<http://www.fordmeterbox.com>

09/29/05

Submitted By: