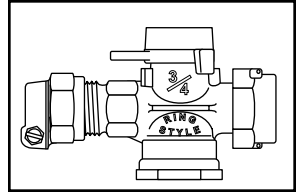
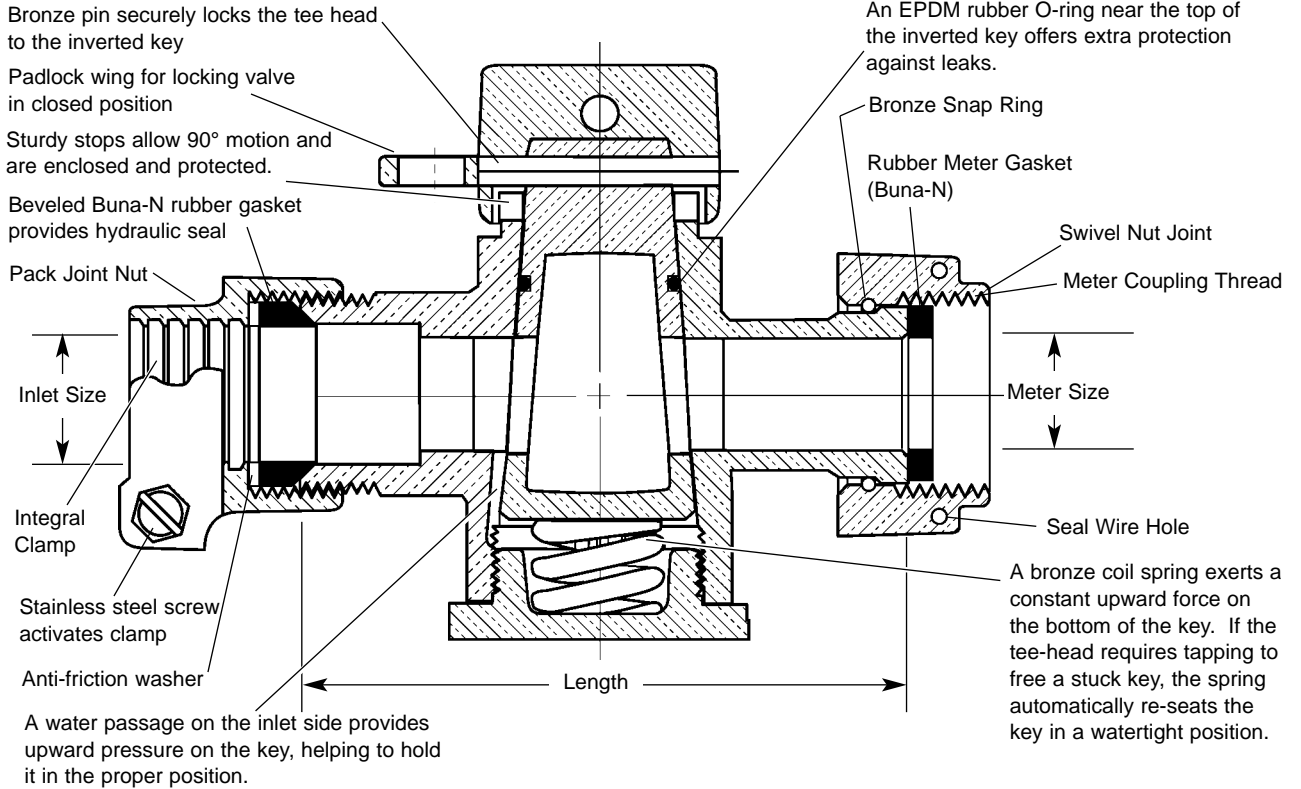


# SUBMITTAL INFORMATION

## Straight Key Meter Valve - (SV43-332W style)



### PACK JOINT FOR COPPER OR PLASTIC TUBING (CTS) INLET BY METER SWIVEL NUT OUTLET



VALVE SIZE	SERVICE LINE SIZE	METER SIZE	LENGTH	APPROX. WT. LBS	PART NUMBER	✓SUBMITTED ITEM(S)
3/4"	3/4"	5/8"x3/4" & 3/4"	4-1/8"	2.4	SV43-332W	

**Note:** Ford recommends insert stiffeners when using plastic pipe or tubing

### FEATURES

- All brass conforms to AWWA Standard C800 (ASTM B-62, UNS NO C83600 - 85-5-5-5)
- Hole for attaching handle is provided in Tee Head.
- Meets 100 PSI pressure requirement of AWWA Standard C800.
- Conforms to AWWA C700 for Meter Threads.

The Ford Meter Box Company considers the information in this submittal form to be correct at the time of publication. Item and option availability, including specifications, are subject to change without notice. Please verify that your product information is current.



**The Ford Meter Box Company, Inc.**

P.O. Box 443, Wabash, Indiana U.S.A. 46992-0443

Phone: 260-563-3171 / Fax: 800-826-3487

Overseas Fax: 260-563-0167

<http://www.fordmeterbox.com>

12/27/01

Submitted By: