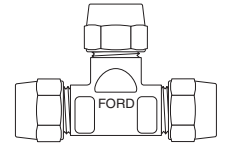
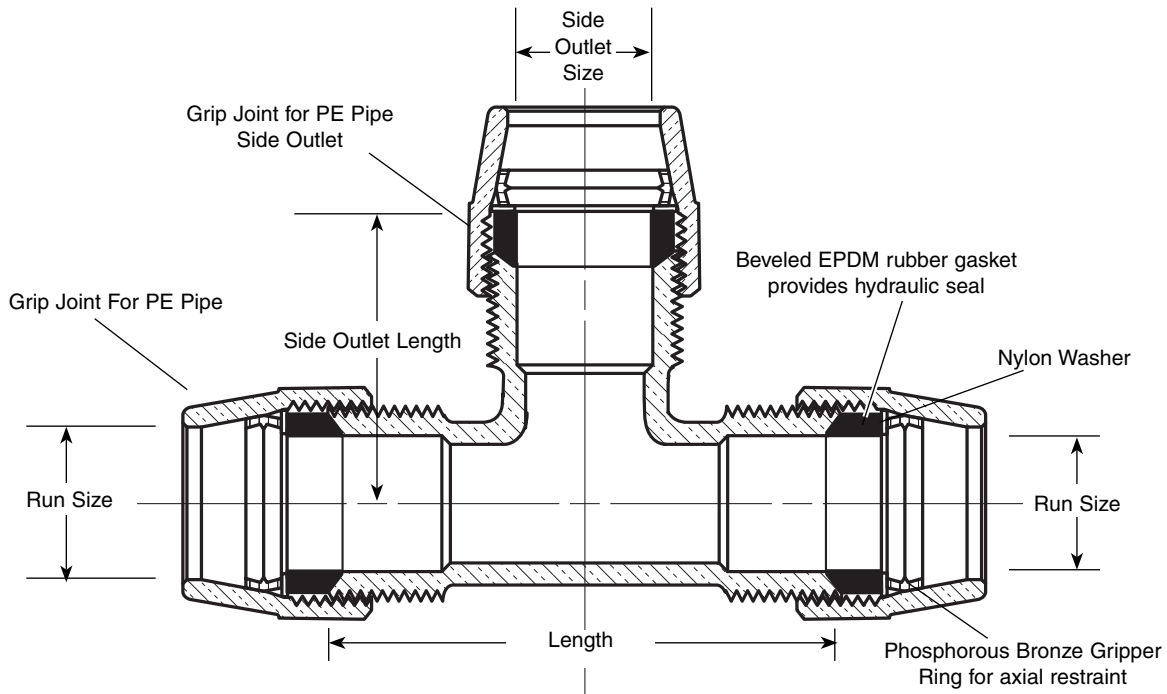


SUBMITTAL INFORMATION

Grip Joint Tee - (T666-xxx-G style)



GRIP JOINT FOR POLYETHYLENE PIPE (PEP) TO GRIP JOINT FOR POLYETHYLENE PIPE (PEP)
BY GRIP JOINT FOR POLYETHYLENE PIPE (PEP)



BOTH ENDS (RUN SIZE)	SIDE OUTLET SIZE	RUN LENGTH	SIDE OUTLET LENGTH	APPROX Wt. LBS.	PART NUMBER	✓ SUBMITTED ITEM(S)
3/4"	3/4"	3-3/4"	1-15/16"	1.9	▼ T666-333-G	
3/4"	1"	3-3/4"	1-13/16"	2.3	▼ T666-334-G	
1"	3/4"	3-1/2"	1-7/8"	2.9	▼▼ T666-443-G	
1"	1"	4-3/4"	2-1/4"	4.7	▼▼ T666-444-G	



▼ UL Classified to ANSI/NSF Standard 61.

▼▼ Add "-K" to end of catalog number for item to be UL classified to ANSI/NSF Standard 61.

Note: Ford recommends insert stiffeners when using plastic pipe or tubing.

FEATURES

- All brass conforms to AWWA Standard C800 (ASTM B-62 and ASTM B-584, UNS NO C83600 - 85-5-5-5)

The Ford Meter Box Company considers the information in this submittal form to be correct at the time of publication. Item and option availability, including specifications, are subject to change without notice. Please verify that your product information is current.



The Ford Meter Box Company, Inc.

P.O. Box 443, Wabash, Indiana U.S.A. 46992-0443

Phone: 260-563-3171 / Fax: 800-826-3487

Overseas Fax: 260-563-0167

<http://www.fordmeterbox.com>

06/22/05

Submitted By: