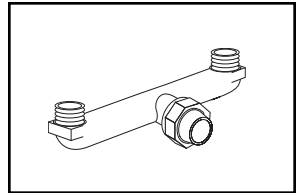
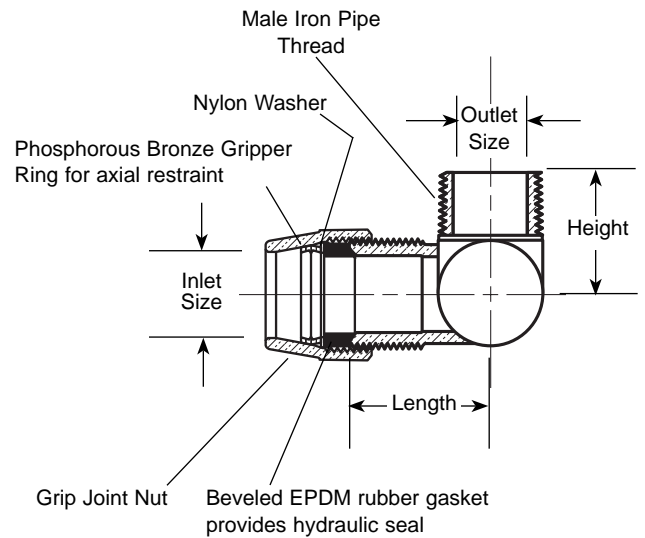
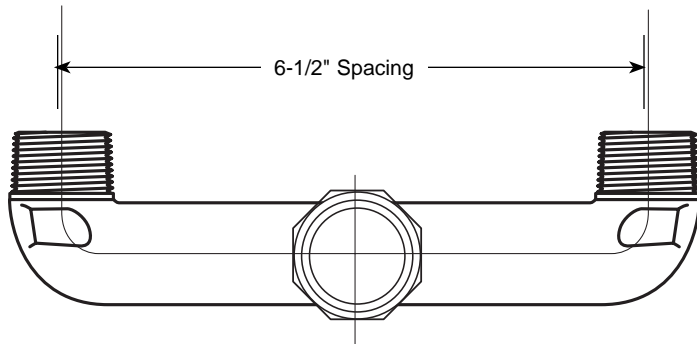


SUBMITTAL INFORMATION

Angle "U" Branch Piece - (UA48-43-65-G style)



GRIP JOINT FOR COPPER OR PLASTIC TUBING (CTS) INLET BY TWO-MALE IRON PIPE THREAD OUTLETS



DESCRIPTION		LENGTH	HEIGHT	APPROX. Wt. LBS.	CATALOG NUMBER	✓ SUBMITTED ITEM(S)
G.J. INLET	MIP OUTLETS					
1"	3/4"	1-5/8"	1-3/8"	2.3	▼ UA48-43-65-G	

▼ UL Classified to ANSI/NSF Standard 61.

Note: Ford recommends using insert stiffeners with plastic pipe or tubing.



FEATURES

- All brass conforms to AWWA Standard C800 (ASTM B-62 and ASTM B-584, UNS NO C83600 - 85-5-5-5)
- All Angle "U" Branches have 6-1/2" spacing

The Ford Meter Box Company considers the information in this submittal form to be correct at the time of publication. Item and option availability, including specifications, are subject to change without notice. Please verify that your product information is current.



The Ford Meter Box Company, Inc.

P.O. Box 443, Wabash, Indiana U.S.A. 46992-0443

Phone: 260-563-3171 / Fax: 800-826-3487

Overseas Fax: 260-563-0167

<http://www.fordmeterbox.com>

07/14/04

Submitted By: