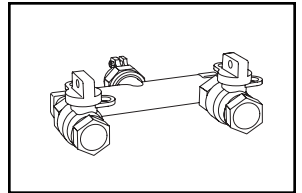
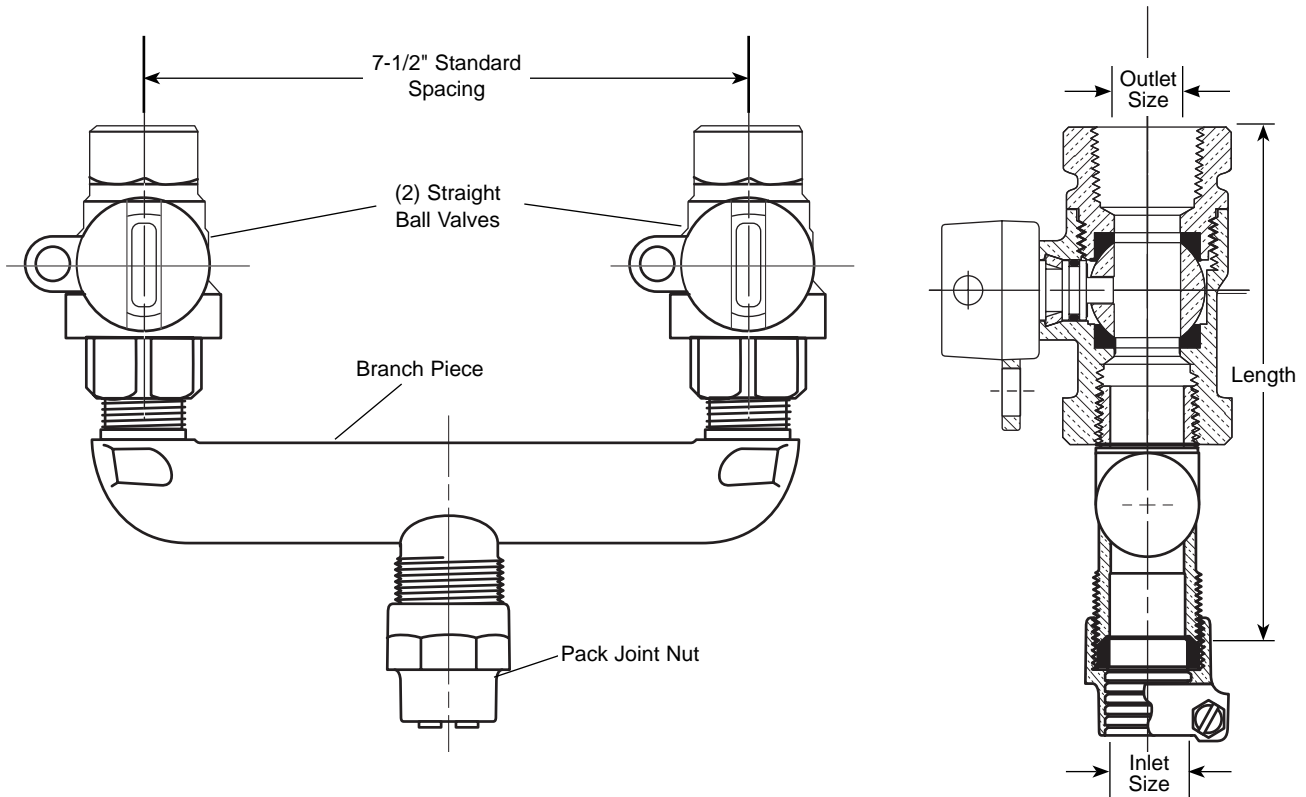


# SUBMITTAL INFORMATION

**Straight Ball Valve Branch Assembly - (UVBS41-43W style)**



**PACK JOINT FOR COPPER OR PLASTIC TUBING (CTS) INLET BY TWO FEMALE IRON PIPE OUTLETS**



INLET SIZE	OUTLET SIZE	LENGTH	APPROX. WT. LBS.	COMPONENTS		ASSEMBLY CATALOG NUMBER	✓ SUBMITTED ITEM(S)
				BRANCH PIECE	VALVES (2)		
1"	3/4"	5-7/8"	4.4	▼ U48-43	▼ B11-233W	* UVBS41-43W	

▼ Valves and branch pieces are individually UL Classified to ANSI/NSF Standard 61.

**Note:** Ford recommends using insert stiffeners with plastic pipe or tubing.

\* Available with 6-1/2" spacing between centers of valves. Add "-65" to the catalog number.

## FEATURES

- All brass conforms to AWWA Standard C800 (ASTM B-62 and ASTM B-584, UNS NO C83600 - 85-5-5-5)
- All Branch Valve Assemblies have Padlock Wings.
- 300 PSI working pressure.

**Optional full 360° tee-head rotation.** Add "R" to end of catalog number.

Example: UVBS41-43WR

The Ford Meter Box Company considers the information in this submittal form to be correct at the time of publication. Item and option availability, including specifications, are subject to change without notice. Please verify that your product information is current.



**The Ford Meter Box Company, Inc.**

P.O. Box 443, Wabash, Indiana U.S.A. 46992-0443

Phone: 260-563-3171 / Fax: 800-826-3487

Overseas Fax: 260-563-0167

<http://www.fordmeterbox.com>

08/30/05

Submitted By: