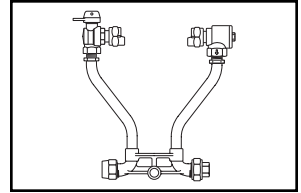


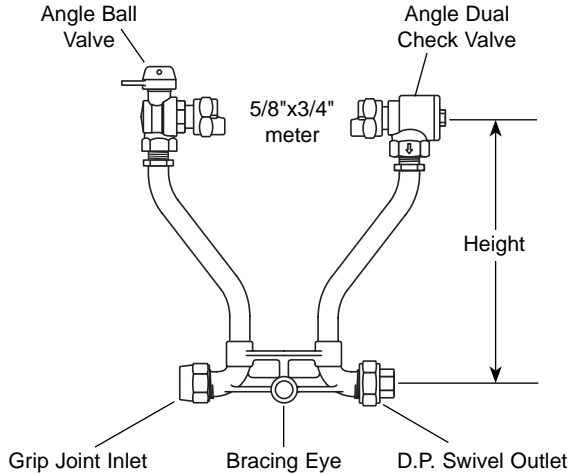
SUBMITTAL INFORMATION

70 Series Coppersetter - (VBHH72-xxW-41-xx-G style)



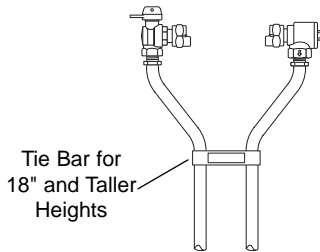
ANGLE BALL VALVE BY ANGLE DUAL CHECK VALVE (5/8" X 3/4" METER)

GRIP JOINT FOR COPPER OR PLASTIC TUBING (CTS) INLET BY DOUBLE PURPOSE UNION SWIVEL OUTLET



Coppersetter Part Number

HEIGHT (INCHES)	APPROX. WT. LBS.	CATALOG NUMBER (INSERT SERVICE LINE CONN. SIZE)	✓ SUBMITTED ITEM(S)
7	6.0	VBHH72-7W-41-xx-G	
9	6.2	VBHH72-9W-41-xx-G	
12	6.4	VBHH72-12W-41-xx-G	
15	6.6	VBHH72-15W-41-xx-G	
18	7.3	VBHH72-18W-41-xx-G	
21	7.5	VBHH72-21W-41-xx-G	
24	7.8	VBHH72-24W-41-xx-G	
27	8.0	VBHH72-27W-41-xx-G	
30	8.3	VBHH72-30W-41-xx-G	
33	8.6	VBHH72-33W-41-xx-G	
36	8.8	VBHH72-36W-41-xx-G	
39	9.1	VBHH72-39W-41-xx-G	
42	9.4	VBHH72-42W-41-xx-G	



Service Line Size

INLET	OUTLET	SERVICE LINE CONN. SIZE	✓ SUBMITTED ITEM(S)
3/4" (CTS) G.J.	3/4" D.P. Swivel	33	
1" (CTS) G.J.	3/4" D.P. Swivel	43	

Note: Ford recommends using insert stiffeners with plastic pipe or tubing

FEATURES

- All brass conforms to AWWA Standard C800 (ASTM B-62 and ATSM B-584, UNS NO C83600 - 85-5-5-5)
- Saddle Nuts hold the meter in place for tightening.
- Bracing Eye is standard on all 70 Series Coppersetters.
- Tie Bar is standard for 18" and taller Coppersetter heights (72 Series).
- Double Purpose Union Swivels will accommodate male iron pipe threads or flare copper.
- 13/16" Copper Risers provide more flow capacity.
- All Ford Setters are assembled with lead-free solder.
- Copper conforms to ASTM B-75, Copper Alloy #122.
- ASSE 1024 approved Dual Check Valve.

The Ford Meter Box Company considers the information in this submittal form to be correct at the time of publication. Item and option availability, including specifications, are subject to change without notice. Please verify that your product information is current.



The Ford Meter Box Company, Inc.

P.O. Box 443, Wabash, Indiana U.S.A. 46992-0443

Phone: 260-563-3171 / Fax: 800-826-3487

Overseas Fax: 260-563-0167

<http://www.fordmeterbox.com>

4/21/06

Submitted By: