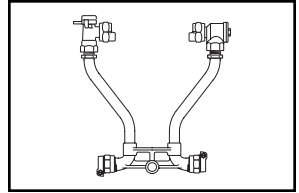


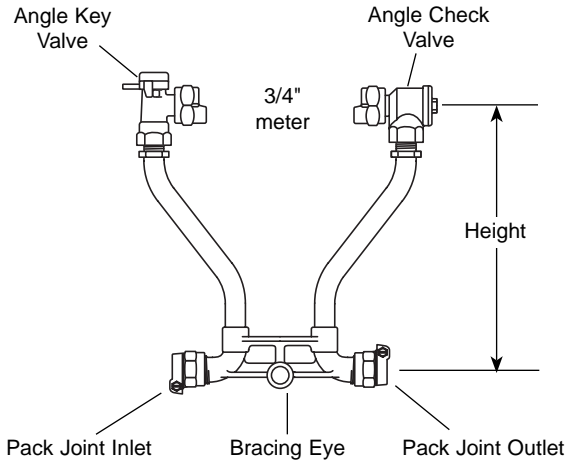
SUBMITTAL INFORMATION

70 Series Coppersetter - (VH73-xxW-44-xx style)



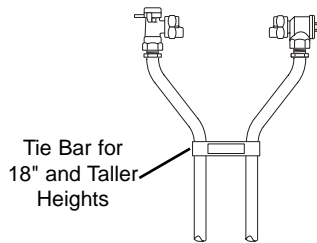
ANGLE KEY VALVE BY ANGLE CHECK VALVE (3/4" METER)

PACK JOINT FOR COPPER OR PLASTIC TUBING (CTS) INLET AND OUTLET



Coppersetter Part Number

HEIGHT (INCHES)	APPROX. Wt. LBS.	CATALOG NUMBER (INSERT SERVICE LINE CONN. SIZE)	√ SUBMITTED ITEM(S)
8	7.1	VH73-8W-44-xx	
12	7.4	VH73-12W-44-xx	
15	7.7	VH73-15W-44-xx	
18	8.6	VH73-18W-44-xx	
21	8.9	VH73-21W-44-xx	
24	9.3	VH73-24W-44-xx	
27	9.6	VH73-27W-44-xx	
30	9.9	VH73-30W-44-xx	
33	10.2	VH73-33W-44-xx	
36	10.5	VH73-36W-44-xx	
39	10.8	VH73-39W-44-xx	
42	11.1	VH73-42W-44-xx	



Tie Bar for 18" and Taller Heights

Service Line Size

INLET	OUTLET	SERVICE LINE CONN. SIZE	√ SUBMITTED ITEM(S)
3/4" (CTS) P.J.	3/4" (CTS) P.J.	33	
1" (CTS) P.J.	3/4" (CTS) P.J.	43*	
1" (CTS) P.J.	1" (CTS) P.J.	44*	

Note: Ford recommends using insert stiffeners with plastic pipe or tubing
 * 3/4" meter spacing with these end connections is not available on the V73 series coppersetter with 15/16" O.D. Copper. It will be furnished on a V72 series coppersetter with 13/16" O.D. Copper.
 Example order: VH73-12W-44-43

FEATURES

- All brass conforms to AWWA Standard C800 (ASTM B-62 and ASTM B-584, UNS NO C83600 - 85-5-5-5)
- Saddle Nuts hold the meter in place for tightening.
- Bracing Eye is standard on all 70 Series Coppersetters.
- Tie Bar is standard for 18" and taller Coppersetter heights (73 Series).
- All Ford Setters are assembled with lead-free solder.
- Copper conforms to ASTM B-75, Copper Alloy #122.

The Ford Meter Box Company considers the information in this submittal form to be correct at the time of publication. Item and option availability, including specifications, are subject to change without notice. Please verify that your product information is current.



The Ford Meter Box Company, Inc.

P.O. Box 443, Wabash, Indiana U.S.A. 46992-0443

Phone: 260-563-3171 / Fax: 800-826-3487

Overseas Fax: 260-563-0167

<http://www.fordmeterbox.com>

04/21/06

Submitted By: