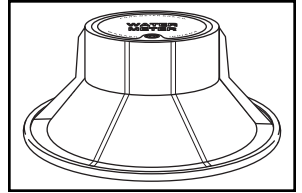
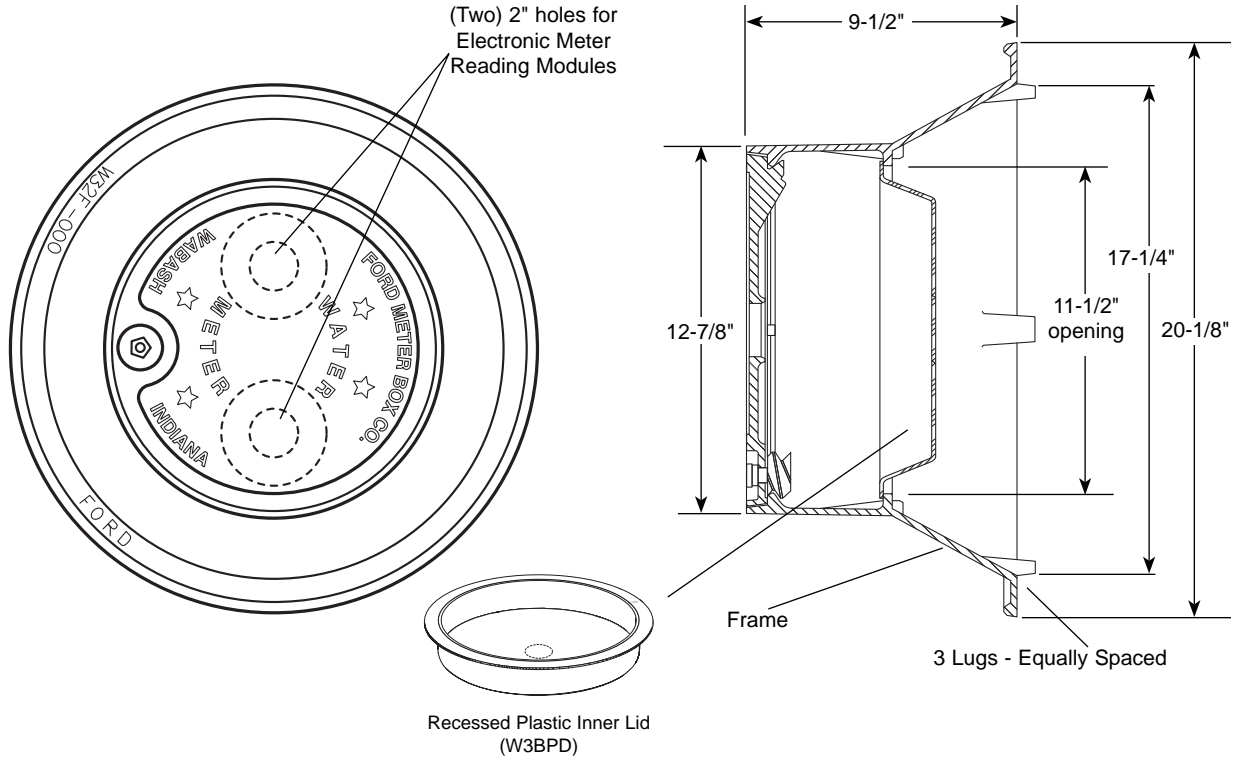


# SUBMITTAL INFORMATION

## Meter Box Covers - (W32-TT style)



### 11-1/2" WABASH DOUBLE INSET LID FOR 18" TILE



*LID SIZE	TILE I.D.	APPROX. WT. LBS.	DESCRIPTION	CATALOG NUMBER	✓ SUBMITTED ITEM(S)
11-1/2"	18"	50.0	Two holes for Meter Reading Modules	W32-TT	

\* Lid size indicates approximate pit access opening; actual lid diameter is approximately 1" larger.

### FEATURES

- Two Precast holes for electronic meter reading modules
- Standard pentagon bolt furnished with locking lids larger bolt is available. Add "-LB" to catalog number
- Frame and lid are cast iron per ASTM A48-92, Class 25
- Recessed Plastic inner lid is standard - aluminum is optional
- Finish is black E-coating

The Ford Meter Box Company considers the information in this submittal form to be correct at the time of publication. Item and option availability, including specifications, are subject to change without notice. Please verify that your product information is current.



#### The Ford Meter Box Company, Inc.

P.O. Box 443, Wabash, Indiana U.S.A. 46992-0443

Phone: 260-563-3171 / Fax: 800-826-3487

Overseas Fax: 260-563-0167

<http://www.fordmeterbox.com>

10/13/08

Submitted By: