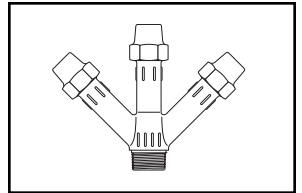
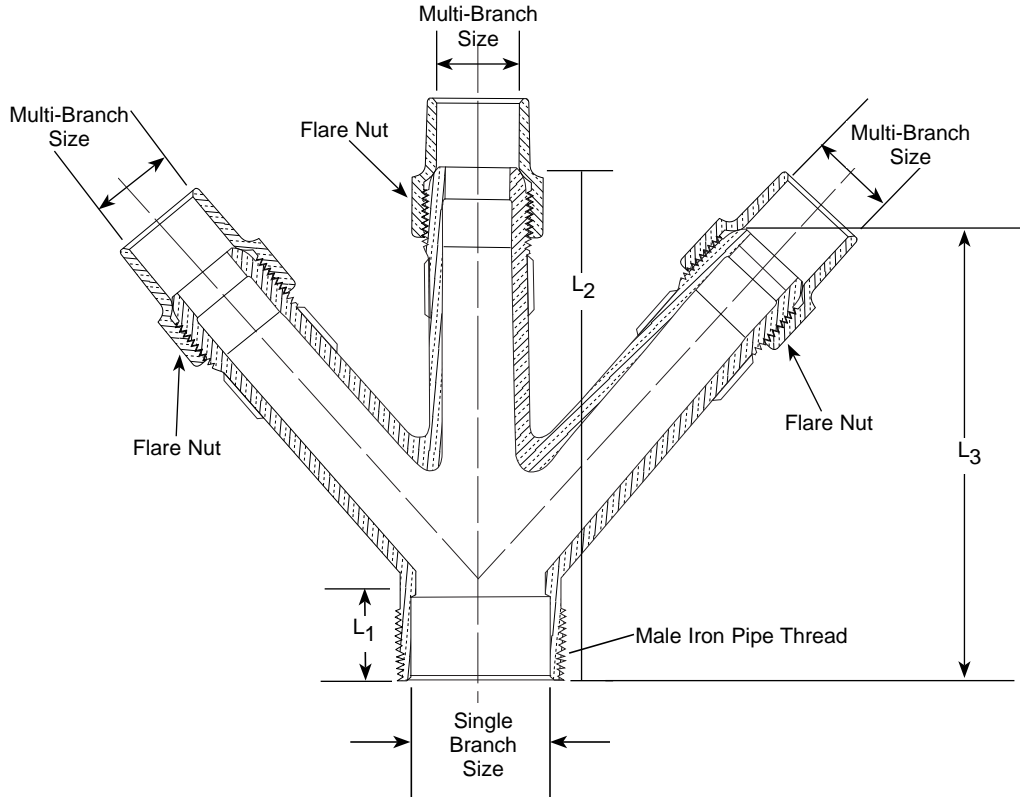


SUBMITTAL INFORMATION

Flare Copper Multi-Branch - (Y28-34x style)



THREE FLARE COPPER BY SINGLE MALE IRON PIPE THREAD



SINGLE BRANCH END	MULTI-BRANCH END	SINGLE BRANCH LENGTH (L ₁)	MULTI-BRANCH LENGTH (L ₂)	MULTI-BRANCH LENGTH (L ₃)	APPROX. WT. LBS.	PART NUMBER	✓ SUBMITTED ITEM(S)
1-1/2"	Three - 1"	1-17/64"	7-1/4"	5-15/16"	5.2	▼▼ Y28-346	
2"	Three - 1"	1-17/64"	7-1/4"	5-15/16"	5.2	▼▼ Y28-347	

▼▼ Add "-K" to end of catalog number for item to be UL classified to ANSI/NSF Standard 61.



FEATURES

- All brass conforms to AWWA Standard C800 (ASTM B-62 and ASTM B-584, UNS NO C83600 - 85-5-5-5)

The Ford Meter Box Company considers the information in this submittal form to be correct at the time of publication. Item and option availability, including specifications, are subject to change without notice. Please verify that your product information is current.



The Ford Meter Box Company, Inc.

P.O. Box 443, Wabash, Indiana U.S.A. 46992-0443

Phone: 260-563-3171 / Fax: 800-826-3487

Overseas Fax: 260-563-0167

<http://www.fordmeterbox.com>

06/29/07

Submitted By: