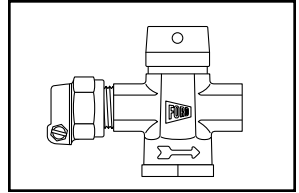
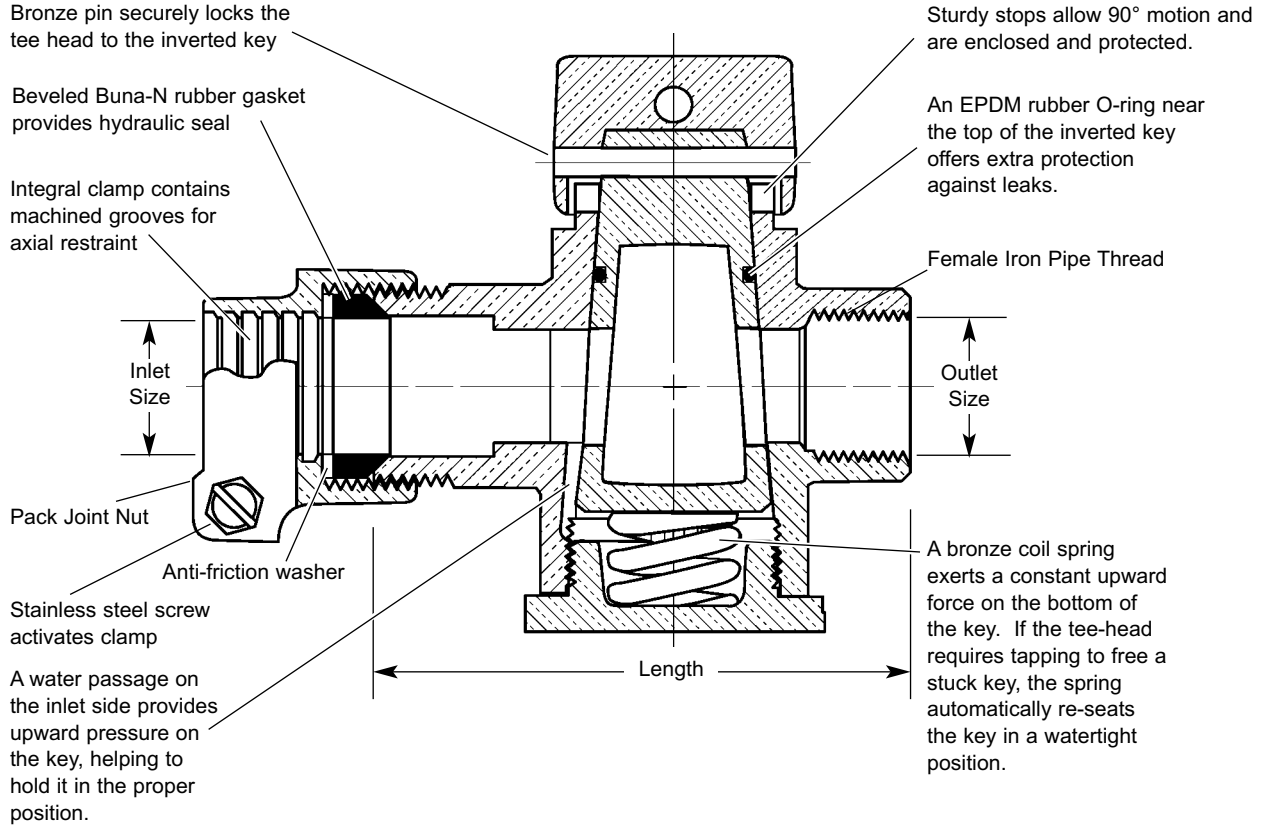


SUBMITTAL INFORMATION

Inverted Key Cub Stop - (Z41-xxx style)



PACK JOINT FOR COPPER OR PLASTIC TUBING (CTS) INLET BY FEMALE IRON PIPE THREAD OUTLET



VALVE SIZE	INLET SIZE	OUTLET SIZE	LENGTH	APPROX. Wt. LBS	PART NUMBER	√ SUBMITTED ITEM(S)
3/4"	3/4"	3/4"	3-13/16"	2.4	Z41-333	
1"	1"	1"	5-11/16"	4.1	Z41-444	

Note: Ford recommends insert stiffeners when using plastic pipe or tubing

FEATURES

- All brass conforms to AWWA Standard C800 (ASTM B-62, UNS NO C83600 - 85-5-5-5)
- Hole for attaching curb box rod or handle is provided in Tee Head.
- 100 PSI working pressure.

Optional Full 360° Tee Head Rotation. Add "R" to end of Part Number.

The Ford Meter Box Company considers the information in this submittal form to be correct at the time of publication. Item and option availability, including specifications, are subject to change without notice. Please verify that your product information is current.



The Ford Meter Box Company, Inc.

P.O. Box 443, Wabash, Indiana U.S.A. 46992-0443

Phone: 260-563-3171 / Fax: 800-826-3487

Overseas Fax: 260-563-0167

<http://www.fordmeterbox.com>

01/17/01

Submitted By: