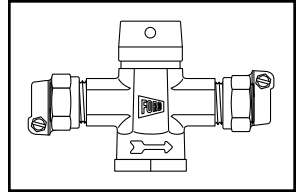
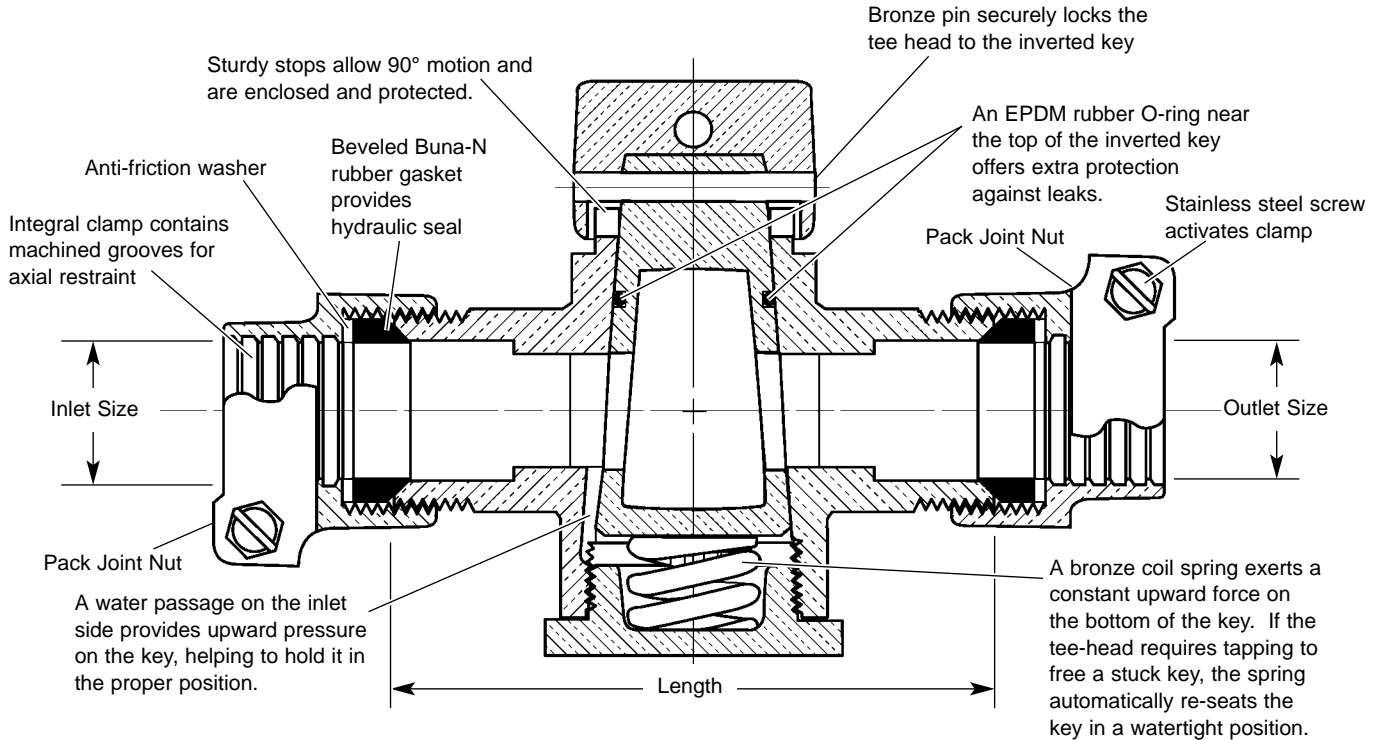


SUBMITTAL INFORMATION

Inverted Key Curb Stop- (Z77-xxx style)



PACK JOINT FOR PVC PIPE BOTH ENDS



VALVE SIZE	INLET SIZE	OUTLET SIZE	LENGTH	APPROX. WT. LBS	PART NUMBER	✓ SUBMITTED ITEM(S)
3/4"	3/4"	3/4"	5-1/16"	3.1	Z77-333	
1"	1"	1"	6-1/16"	5.1	Z77-444	

FEATURES

- All brass conforms to AWWA Standard C800 (ASTM B-62, UNS NO C83600 - 85-5-5-5)
- Hole for attaching curb box rod is provided in Tee Head.
- Meets 100 PSI pressure requirement of AWWA Standard C800.

Optional Full 360° Tee Head Rotation. Add "R" to end of Part Number.

The Ford Meter Box Company considers the information in this submittal form to be correct at the time of publication. Item and option availability, including specifications, are subject to change without notice. Please verify that your product information is current.



The Ford Meter Box Company, Inc.

P.O. Box 443, Wabash, Indiana U.S.A. 46992-0443

Phone: 260-563-3171 / Fax: 800-826-3487

Overseas Fax: 260-563-0167

<http://www.fordmeterbox.com>

10/30/00

Submitted By: