



Section **H**
6/2008



Ford Water Meter Couplings and Accessories

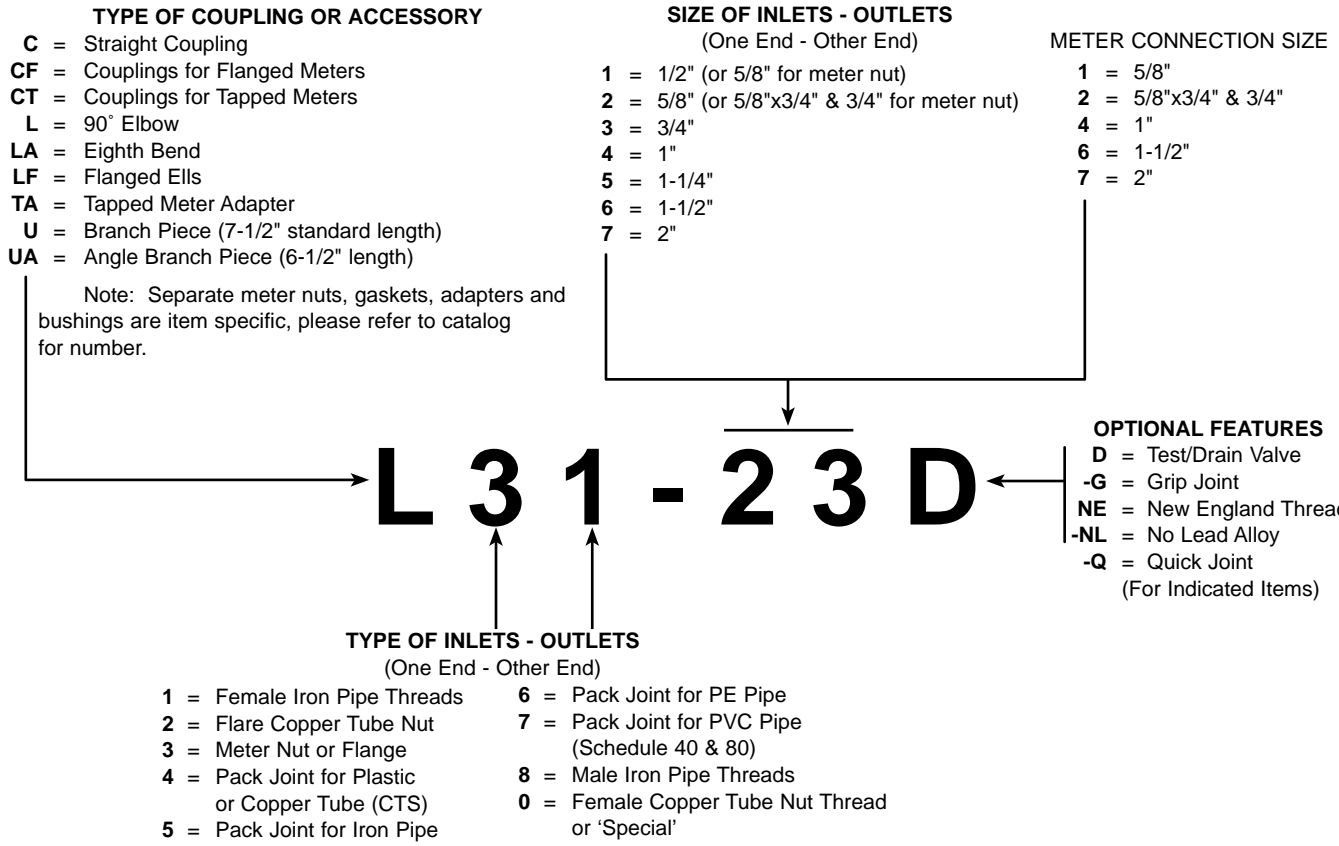
The Ford Meter Box Company, Inc.
775 Manchester Avenue, P.O. Box 443, Wabash, Indiana, USA 46992-0443
Telephone: 260-563-3171 FAX: 1-800-826-3487 Overseas FAX: 260-563-0167
<http://www.fordmeterbox.com>



Contents

	Page
Information	
Meter Coupling Numbering System	3
Pack Joint Couplings - How the Pack Joint Works	4
Quick Joint Couplings - How the Quick Joint Works	4
Grip Joint Couplings - How the Grip Joint Works	5
Code Marks for Ford Compression Coupling Nuts	5
Types of Pipe and Tubing - Explanation of Abbreviations	5
Straight Meter Couplings with Pack Joints	6
Lok-Pak Meter Couplings	6
Insert Stiffeners	7
Dimension Comparison Table for Plastic, Copper and Galvanized Iron	7
Copper Rounding Tool	7
Meter Gaskets	8
Resetter Gaskets	8
Hex Bars for Body Style C Couplings	8
Dielectric Bushings	8
Straight Meter Couplings	
Meter Coupling Nuts Only	9
Straight Meter Couplings by Male Iron Pipe Thread	9
Straight Meter Couplings by Female Iron Pipe Thread and Flare Copper	9
Straight Meter Couplings with Pack Joints	10
Angle Meter Couplings	10
Flanged Meter Couplings	
Flanged Ells for 1-1/2" and 2" Meters	11
Lok-Pak Meter Couplings for Flanged Meters	11
Lok-Pak Meter Couplings for Tapped Meters	11
Bronze Meter Flanges	12
Meter Adapters	12
Meter Idlers	13
3/4" through 2" Meter Coupling Bushings	13
"U" Branch Pieces	14
Angle "U" Branch Pieces	14
Warranty	16

Ford Water Meter Couplings and Accessories Numbering System



Note: See item listings in catalog section H to ensure desired sizes and options are available.



Ford offers more than 10,000 products that are Classified by Underwriters Laboratories Inc. to ANSI/NSF Standard 61. To verify if a product is Classified by Underwriters Laboratories Inc. to ANSI/NSF Standard 61, contact the Ford Meter Box Customer Service Department at 260-563-3171 or visit fordmeterbox.com and look for the LXI approved product listing. Ford's LXI Approved products are typically available at no additional cost and only those brass products treated through the Kunkel Process (U.S. patent 6,432,210) cost slightly more. Ford Meter Box meets your need for ANSI/NSF Standard 61 Approved items with products that are proven and reliable. Look for LXI on the product label.

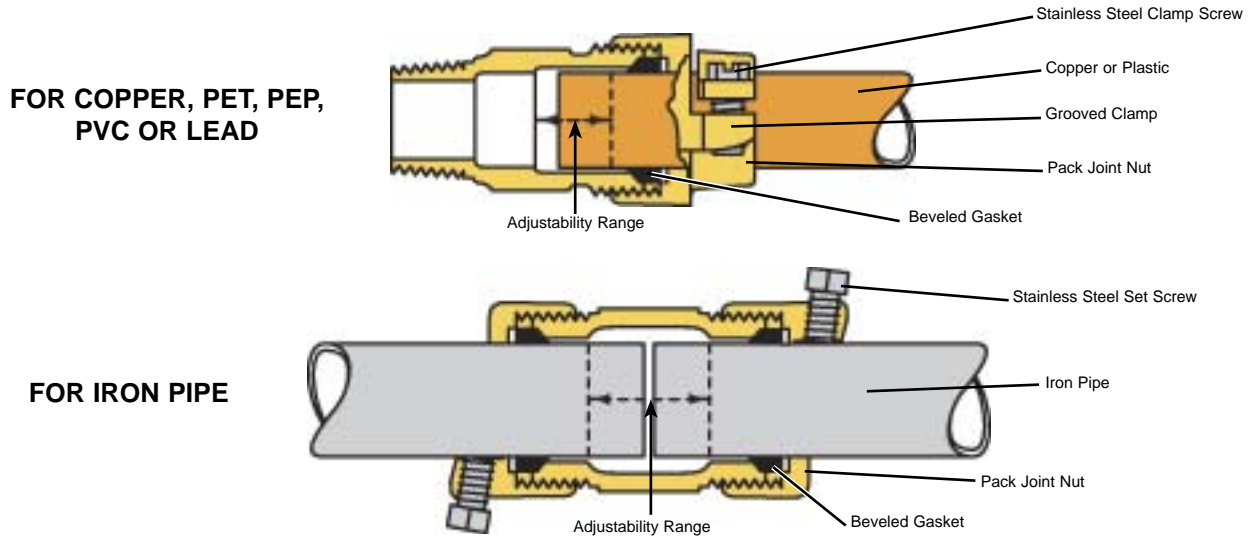


Pack Joint Couplings

In a compression coupling, too much can hurt as much as too little. Excessive mechanical pullout resistance, for example, could mean ripping the corporation stop from the main, if a backhoe catches the service line. Ford Pack Joints offer a balanced design on every type of pipe. Stab the pipe into the fitting, tighten the EPDM gasketed nut for a watertight seal, and tighten the clamp screw. You get all the pullout resistance you need for the heaviest backfill loads, but not more than you need.

Pack Joint Connections - How the Pack Joint Works

1. Tightening the large Pack Joint nut compresses an EPDM beveled gasket to make it watertight around the pipe or tubing.
2. For copper or plastic tubing and pipe there is a locking device, a split clamp, which is drawn down securely on the tubing or pipe by tightening a stainless steel screw. Machined grooves in the clamp provide positive gripping action.
3. For iron pipe a stainless steel set screw on the Pack Joint bites into and locks on to hold the pipe.



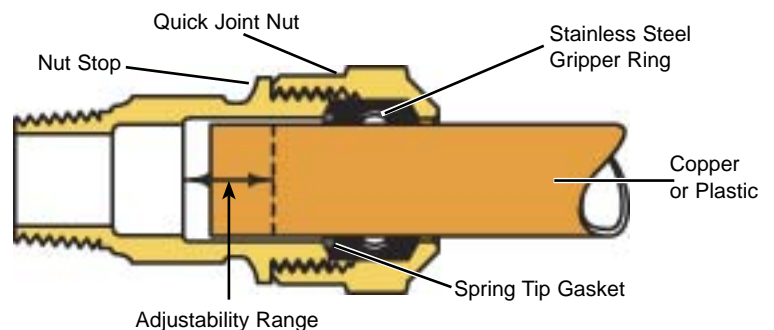
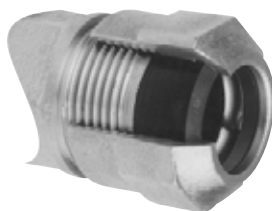
Quick Joint Couplings

The new Ford Quick Joint offers traditional Ford features of quality and reliability. This easy-to-use fitting is available on a wide variety of Ford products. Just stab the copper or plastic tubing into the fitting and tighten down the compression nut to the stop. That's it! The Quick Joint provides excellent pullout resistance and superior hydraulic blow-off protection. Note: The Ford Quick Joint Nut **IS NOT** interchangeable with other compression fittings.

Quick Joint Connections - How the Quick Joint Works

1. A stainless steel gripper ring, molded into a large gasket, is drawn down when the nut is tightened, providing the hydraulic seal and mechanical restraint.
2. A transparent fluorocarbon coating covers the interior of the nut, providing smooth torque transfer. This coating eliminates "back drive", reduces tightening torque and minimizes gasket distortion.
3. A positive, external and visual stop ensures correct installation, providing maximum performance.

The Ford Quick Joint is designed and manufactured for copper or for copper tube size SDR 9 Polyethylene plastic with a solid tubular metal insert.



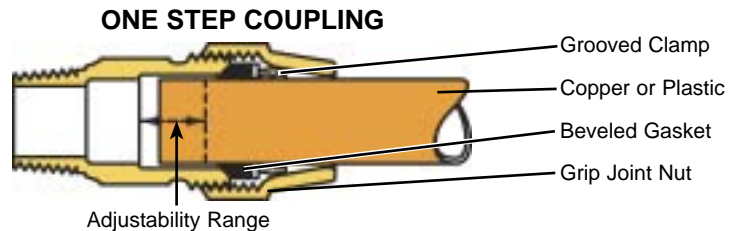
Grip Joint Couplings

Grip Joint Connections - How the Grip Joint Works

1. Tightening the Grip Joint nut compresses an EPDM beveled gasket to form a watertight seal around the pipe or tubing.
2. The bronze split ring is drawn down when the nut is tightened, providing the mechanical lock on the pipe.
3. Grip Joint couplings are to be used only with 3/4" through 2" copper or PET, and 3/4" & 1" PEP.



Ford Grip Joint



Code Marks for Ford Compression Coupling Nuts

- CTS** - Copper and PET
- PEP** - PE pipe
- PVC** - PVC pipe



Ford Pack Joint

Types of Pipe and Tubing Explanation of Abbreviations

Copper Tube - CTS - Copper tubing is widely used as a service line and the **outside diameter** is closely held by manufacturers. The outside diameter of copper tubing has become a standard in the industry and is known as "copper tube size."

Plastic Tubing - CTS - Flexible water service tubing in what is referred to as "copper tube size." Plastic Tube refers to *any* plastic with the same **outside diameter** as corresponding sizes of copper tube. PET – Polyethylene tubing.

Plastic Pipe - PEP - Flexible water service pipe in what is referred to as "pipe size." Plastic Pipe refers to *any* pipe having the same **inside diameter** as corresponding sizes of standard iron pipe. PEP – Polyethylene pipe.

PVC Pipe - PVC - Polyvinyl Chloride rigid plastic pipe. PVC Pipe refers to polyvinyl chloride rigid plastic pipe having the same **outside diameter** as corresponding sizes of standard iron pipe.

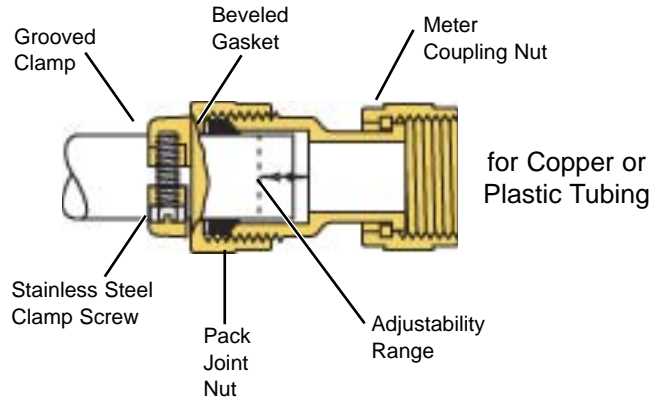
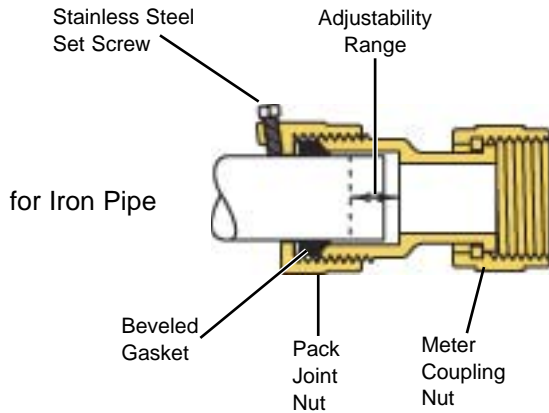
Ford Pack Joints for PVC are recommended for use only with Schedule 40 and Schedule 80 PVC.

Meter Couplings

Straight Meter Couplings with Pack Joints

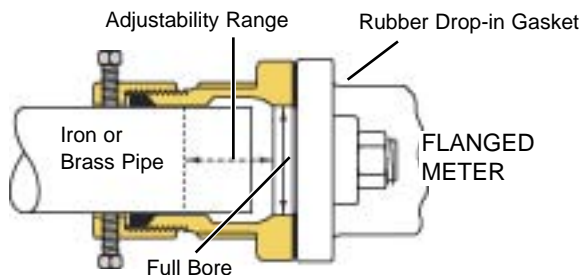
Connecting meters to iron, copper or plastic service lines, old or new, is expedited with Ford Pack Joint Meter Couplings. The Pack Joint connection makes a tight, permanent joint on copper, plastic or iron pipe *without flaring, soldering or threading*. The Pack Joint provides adjustability for inaccuracies in pipe length and alignment.

See page 4 for further description of how the Pack Joint works.



Lok-Pak Meter Couplings

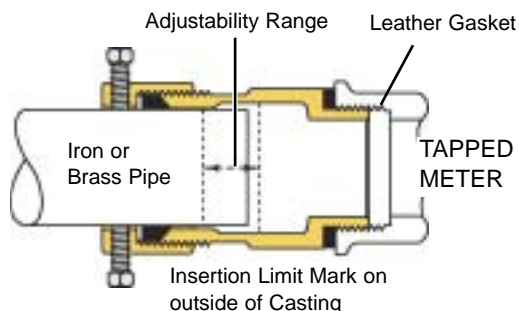
Lok-Pak Couplings simplify the installation of 1-1/2" and 2" water meters and facilitate meter changing. They provide adjustability of spacing for the meter, and a measure of flexibility in the piping. Joints are dependably and permanently watertight and eliminate pipe threading and/or tube flaring.



for 1-1/2" And 2" Flanged Meters

As shown in the drawing, each Lok-Pak Coupling for a flanged meter has a lateral adjustment of 2".

The Pack Joint on all Lok-Pak Couplings tightens easily. The Pack Joint nut is locked in place on iron or brass pipe by two stainless steel set screws, and on copper or plastic by a grooved split clamp with a clamp screw. Details of the Ford Pack Joint are shown and described on page 4.



for 1-1/2" And 2" Tapped Meters.

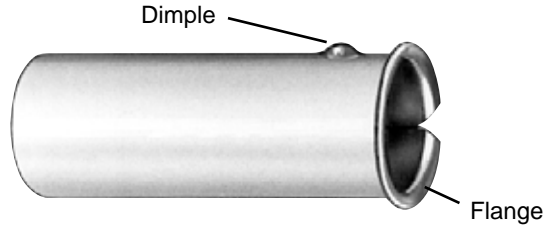
Each Coupling for a tapped meter provides adjustment of about 1". To assure space for retraction from the meter, each Coupling for tapped meters has a line on the casting to show the limit to which iron, brass or copper pipe can be inserted.



LXI Products meet
ANSI/NSF Standard 61
see page 3

Accessories

Insert Stiffeners



Ford Insert Stiffeners are solid 304 tubular stainless steel, dimpled and flanged to retain placement within the service line.

Before using Ford Insert Stiffeners, be sure inside tubing or pipe dimensions correspond to the table below.

Ford recommends using Insert Stiffeners with plastic pipe or tubing.
Note: Consult pipe or tubing manufacturer for specific installation requirements.

PLASTIC TUBING 50 SERIES FOR POLYETHYLENE TUBING

CATALOG NUMBER	NOMINAL SIZE	PET ID	APPROX. WT. LBS.*	STD. PKG. QTY.
INSERT-51	3/4"	.681	4.8	200
INSERT-52	1"	.875	4.2	100
**INSERT-53-72	1-1/4"	1.069	2.4	50
INSERT-54	1-1/2"	1.263	3.1	25
◆INSERT-54-Q	1-1/2"	1.263	2.6	30
INSERT-55	2"	1.653	4.6	40
◆INSERT-55-Q	2"	1.653	5.8	50

PLASTIC PIPE 70 SERIES FOR POLYETHYLENE PIPE

CATALOG NUMBER	NOMINAL SIZE	PEP ID	APPROX. WT. LBS.*	STD. PKG. QTY.
INSERT-71	3/4"	.824	4.4	100
**INSERT-53-72	1"	1.049	2.9	50
◆INSERT-53-72-Q	1"	1.049	2.9	50
INSERT-73	1-1/4"	1.380	5.8	75
INSERT-74	1-1/2"	1.610	5.5	45
INSERT-75	2"	2.067	9.7	50

* Weights for Insert Stiffeners are for standard package quantities.

** INSERT-53 and INSERT-72 fit both 1-1/4" plastic tubing (1.069 I.D.) and 1" plastic pipe (1.049 I.D.)

◆ These Inserts are specifically designed and required for Quick Joint Fittings. They **ARE NOT** interchangeable for use with any other types of compression fittings.

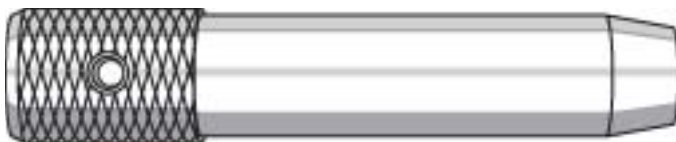
DIMENSION COMPARISON TABLE FOR PLASTIC, COPPER AND GALVANIZED IRON

PIPE AND TUBING TYPE	PSI	SDR	CONTROL	O.D.						I.D.					
				1/2"	3/4"	1"	1-1/4"	1-1/2"	2"	1/2"	3/4"	1"	1-1/4"	1-1/2"	2"
Copper	-	-	OD	.625	.875	1.125	1.375	1.625	2.125	-	-	-	-	-	-
PET	PE3408 200 PE4710 250	SDR9	OD	.625	.875	1.125	1.375	1.625	2.125	-	.681	.875	1.069	1.263	1.653
PEP	PE3408 200 PE4710 250			SIDR7	ID	-	1.060	1.349	1.774	2.070	2.657	-	.824	1.049	1.380
PVC	-	-	OD	.840	1.050	1.315	1.660	1.900	2.375	-	-	-	-	-	-
Galv IP	-	-	OD	.840	1.050	1.315	1.660	1.900	2.375	-	-	-	-	-	-

Ford Pack Joints for PVC are recommended for use only with Schedule 40 and Schedule 80 PVC.

Copper Rounding Tool

When copper tubing is used, Ford recommends that it be checked to see if it is perfectly round. Compression couplings do not perform properly if the tubing is out-of-round. Unrounded copper can result in a marginal gasket seal that may eventually permit leakage. The Copper Rounding Tool forms the copper tubing for a proper fit.



CATALOG NUMBER	TUBE SIZE	APPROX. WT. LBS.
CRT-3	3/4"	.7
CRT-4	1"	1.4
CRT-5	1-1/4"	2.3
CRT-6	1-1/2"	3.8
CRT-7	2"	8.0

Meter Gaskets



CATALOG NUMBER	DESCRIPTION - USAGE	APPROX. WT. LBS.*	STD. PKG. QTY.
GT-109	5/8" Composition Coupling Gasket - 5/8" Meter	3.0	1000
GT-116	3/4" Composition Coupling Gasket - 5/8"x3/4" & 3/4" Meter	2.3	500
GT-121	1" Composition Coupling Gasket - 1" Meter	2.8	400
GT-167	5/8" Leather Coupling Gasket - 5/8" Meter	2.2	1000
GT-113	3/4" Leather Coupling Gasket - 5/8"x3/4" & 3/4" Meter	1.8	500
GT-163	1" Leather Coupling Gasket - 1" Meter	2.2	400
GT-110	Leather Changeover Coupling Gasket for changing 5/8" Meter to 5/8"x3/4" Meter	-	-
GT-108	5/8" Rubber Coupling Gasket - 5/8" Meter	2.8	1000
GT-114	3/4" Rubber Coupling Gasket - 5/8"x3/4" & 3/4" Meter	2.0	500
GT-120	1" Rubber Coupling Gasket - 1" Meter	2.6	400
GT-124	1-1/4" Rubber Coupling Gasket - 1-1/4" Meter	-	-
GT-140	1-1/2" Rubber Drop-In Gasket - 1-1/2" Flanged Meter	-	75
GT-141	2" Rubber Drop-In Gasket - 2" Flanged Meter	-	50
GT-131	1-1/2" Rubber Gasket - 1-1/2" Tapped Meter	-	-
GT-135	2" Rubber Gasket - 2" Tapped Meter	-	-
GT-126	1-1/2" Rubber Coupling Gasket - 1-1/2" Male Threaded Meter	-	-
GT-127	2" Rubber Coupling Gasket - 2" Male Threaded Meter	-	-

Gaskets are furnished with all meter coupling connections in 5/8", 3/4" and 1" sizes. Rubber drop-in gaskets are furnished with all flanges. Round leather (paraffined) gaskets are furnished with couplings for 1-5/8" and 2" tapped meters. All gaskets are 1/8" thick.

Rubber Resetter Gaskets



CAT. No.	DESCRIPTION - USAGE
GT-169	5/8" Rubber Resetter Gasket for 5/8" meter
GT-172	3/4" Rubber Resetter Gasket for 5/8"x3/4" and 3/4" meter
GT-174	1" Rubber Resetter Gasket for 1" meter

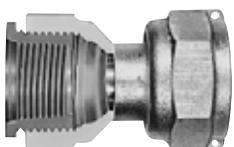
Hex Bars for Body Style C



CATALOG NUMBER	DESCRIPTION	WRENCH SIZE	APPROX. WT. LBS.	STD. PKG. QTY.
HBW-3	for 3/4" Couplings, body style C	11/16"	.6	-
HBW-4	for 1" Couplings, body style C	13/16"	.6	-

Dielectric Bushings

(For insulating service lines)



CATALOG NUMBER	DESCRIPTION	APPROX. WT. LBS.	STD. PKG. QTY.
DB-34	3/4" Female Pipe Thread x 1" Male Pipe Thread	-	-
DB-45	1" Female Pipe Thread x 1-1/4" Male Pipe Thread	-	-
DB-56	1-1/4" Female Pipe Thread x 1-1/2" Male Pipe Thread	-	-
DB-67	1-1/2" Female Pipe Thread x 2" Male Pipe Thread	-	-
DB-78	2" Female Pipe Thread x 2-1/2" Male Pipe Thread	-	-

Examples: DB-34 and C31-24 assembly will insulate a 3/4" line, a DB-45 and C31-45 will insulate a 1" line.



LXI Products meet
ANSI/NSF Standard 61
see page 3



Meter Coupling Nuts Only

CATALOG NUMBER	DESCRIPTION	APPROX. WT. LBS.	STD. PKG. QTY.
MN-1	5/8" Meter coupling Nut Only for "A" and "C" Body Style Straight Meter Couplings	.14	-
CMC	5/8" to 3/4" Changeover Meter Coupling Nut for Changing 5/8" "A" Body Style Coupling from 5/8" meter to 5/8"x3/4" Meter	.23	50
MN-2	3/4" Meter coupling Nut Only for "A" and "C" Body Style Straight Meter Couplings	.24	-
MN-4	1" Meter coupling Nut Only for "A" and "C" Body Style Straight Meter Couplings	.31	-
MN-7	2" Meter coupling Nut Only for "A" and "C" Body Style Straight Meter Couplings	-	-

Straight Meter Couplings

Straight Meter Couplings by Male Iron Pipe Thread



Body Style A
(hex on barrel)



Body Style B
(heavy hex on barrel)



Body Style C
(short with inside wrench hex)

CATALOG NUMBER	DESCRIPTION OF COUPLING			APPROX. WEIGHT LBS.	STANDARD PACKAGE QUANTITY
	BODY STYLE	MALE IRON PIPE THREAD SIZE	COUPLING LENGTH		
FOR 5/8" METERS					
C38-11-2	A	1/2"	2"	.3	50
C38-11-2.188	A	1/2"	2-3/16"	.4	50
** C38-11-2.375	A	1/2"	2-3/8"	.4	40
C38-13-2.188	B	3/4"	2-3/16"	.4	40
FOR 5/8" x 3/4" AND 3/4" METERS					
C38-21-1.625	B	1/2"	1-5/8"	.5	-
C38-21-2.375	A	1/2"	2-3/8"	.6	25
C38-23-1.437	C	3/4"	1-7/16"	.4	35
C38-23-1.5	C	3/4"	1-1/2"	.4	35
C38-23-1.625	C	3/4"	1-5/8"	.4	35
C38-23-2	A	3/4"	2"	.5	30
C38-23-2.25	A	3/4"	2-1/4"	.5	25
** C38-23-2.5	A	3/4"	2-1/2"	.5	25
C38-23-2.75	A	3/4"	2-3/4"	.5	25
C38-23-3	A	3/4"	3"	.5	25
C38-23-8.5	A	3/4"	8-1/2"	1.6	35
C38-23-12	B	3/4"	12"	2.3	25
C38-24-2.5	B	1"	2-1/2"	.6	24
FOR 1" METERS					
C38-44-1.5	C	1"	1-1/2"	.6	20
C38-44-2	C	1"	2"	.6	18
C38-44-2.25	B	1"	2-1/4"	.8	18
** C38-44-2.625	A	1"	2-5/8"	.7	15
C38-44-3.5	A	1"	3-1/2"	.7	15
C38-44-8.5	A	1"	8-1/2"	1.6	5
FOR 1-1/4" METERS					
C38-54-2.75	A	1"	2-3/4"	1.2	12
FOR 1-1/2" METERS					
C38-66-2.875	A	1-1/2"	2-7/8"	1.8	8
FOR 2" METERS					
C38-77-3.0625	A	2"	3-1/16"	3.0	4

** Standard Coupling Length

Straight Meter Couplings by Female Iron Pipe Thread and Flare Copper



CATALOG NUMBER	DESCRIPTION	COUPLING LENGTH	APPROX. WT. LBS.	STD. PKG. QTY.
METER SWIVEL NUT BY FEMALE IRON PIPE THREAD				
C31-13	5/8" Meter x 3/4" Female Iron Pipe	1-7/8"	0.5	30
C31-23	5/8"x3/4" & 3/4" Meter x 3/4" Female Iron Pipe	1-3/4"	0.6	30
C31-24	5/8"x3/4" & 3/4" Meter x 1" Female Iron Pipe	2"	0.7	25
C31-44	1" Meter x 1" Female Iron Pipe	2-3/8"	0.9	15
C31-45	1" Meter x 1-1/4" Female Iron Pipe	2-3/8"	1.1	12
METER SWIVEL NUT BY FLARE COPPER				
C32-13	5/8" Meter x 3/4" Flare Copper	2-3/16"	0.8	20
C32-23	5/8"x3/4" & 3/4" Meter x 3/4" Flare Copper	2-3/16"	0.9	20
C32-44	1" Meter x 1" Flare Copper	2-1/2"	1.4	12

Note: Length of couplings for Flare Copper is measured less the Copper tube nut.

Options Available

No-Lead alloy is available, add "-NL" to the end of the catalog number. With the No-Lead option, brass components in contact with potable water shall be of No-Lead Alloy, UNS/CDA No. C89833. Brass components that do not come in contact with potable water shall be UNS/CDA No. C83600.

Straight Meter Couplings With Pack Joints



LXI Products meet
ANSI/NSF Standard 61
see page 3



CATALOG NUMBER	DESCRIPTION			APPROX. WT. LBS.	STD. PKG. QTY.
METER SWIVEL NUT BY PACK JOINT FOR COPPER OR PLASTIC TUBING (CTS)					
C34-11	5/8" Meter	x	1/2" CTS P.J.	.7	25
◆ C34-13	5/8" Meter	x	3/4" CTS P.J.	.7	20
C34-21	5/8"x3/4" & 3/4" Meter	x	1/2" CTS P.J.	.9	20
C34-22	5/8"x3/4" & 3/4" Meter	x	5/8" CTS P.J.	.8	-
◆ C34-23	5/8"x3/4" & 3/4" Meter	x	3/4" CTS P.J.	.8	18
◆ C34-24	5/8"x3/4" & 3/4" Meter	x	1" CTS P.J.	.9	15
◆ C34-44	1" Meter	x	1" CTS P.J.	1.2	12
C34-45	1" Meter	x	1-1/4" CTS P.J.	1.7	8
METER SWIVEL NUT BY PACK JOINT FOR IRON PIPE					
C35-11	5/8" Meter	x	1/2" Iron Pipe P.J.	.6	24
C35-13	5/8" Meter	x	3/4" Iron Pipe P.J.	.6	20
C35-21	5/8"x3/4" & 3/4" Meter	x	1/2" Iron Pipe P.J.	.7	20
C35-23	5/8"x3/4" & 3/4" Meter	x	3/4" Iron Pipe P.J.	.8	18
C35-23-4.875	5/8"x3/4" & 3/4" Meter	x	3/4" Iron Pipe P.J.	1.2	10
C35-44	1" Meter	x	1" Iron Pipe P.J.	1.5	10
METER SWIVEL NUT BY PACK JOINT FOR PE PIPE					
C36-13	5/8" Meter	x	3/4" PE Pipe P.J.	.9	20
C36-23	5/8"x3/4" & 3/4" Meter	x	3/4" PE Pipe P.J.	.9	15
C36-44	1" Meter	x	1" PE Pipe P.J.	1.8	8
METER SWIVEL NUT BY PACK JOINT FOR PVC PIPE					
C37-13	5/8" Meter	x	3/4" PVC Pipe P.J.	.8	20
C37-21	5/8"x3/4" & 3/4" Meter	x	1/2" PVC Pipe P.J.	.7	-
C37-23	5/8"x3/4" & 3/4" Meter	x	3/4" PVC Pipe P.J.	.9	15
C37-44	1" Meter	x	1" PVC Pipe P.J.	1.7	8

Grip Joint for CTS and PEP is available. Add "-G" to the catalog number.

◆ **Quick Joint** can be ordered by adding "-Q" to the catalog number.

Note: Insert Stiffeners are listed on page 7 of this section.

Angle Meter Couplings



CATALOG NUMBER	DESCRIPTION			APPROX. WT. LBS.	STD. PKG. QTY.
METER SWIVEL NUT BY FEMALE IRON PIPE THREAD					
L31-13	5/8" Meter	x	3/4" Female Iron Pipe	.6	20
L31-23	5/8"x3/4" & 3/4" Meter	x	3/4" Female Iron Pipe	.8	20
L31-23D (Test Valve)	5/8"x3/4" & 3/4" Meter	x	3/4" Female Iron Pipe	.9	15
L31-24	5/8"x3/4" & 3/4" Meter	x	1" Female Iron Pipe	.9	15
L31-44	1" Meter	x	1" Female Iron Pipe	1.2	12
METER SWIVEL NUT BY FLARE COPPER					
L32-12	5/8" Meter	x	5/8" Flare Copper	.8	16
L32-13	5/8" Meter	x	3/4" Flare Copper	.8	16
L32-23	5/8"x3/4" & 3/4" Meter	x	3/4" Flare Copper	1.0	14
L32-44	1" Meter	x	1" Flare Copper	1.6	8
METER SWIVEL NUT BY MALE IRON PIPE THREAD					
L38-11	5/8" Meter	x	1/2" Male Iron Pipe	.4	30
L38-23	5/8"x3/4" & 3/4" Meter	x	3/4" Male Iron Pipe	.7	16
L38-24	5/8"x3/4" & 3/4" Meter	x	1" Male Iron Pipe	.7	15
L38-44	1" Meter	x	1" Male Iron Pipe	1.1	10
L38-45-AWT	1" Meter	x	1-1/4" Male Iron Pipe	1.3	-
L38-66	1-1/2" Meter	x	1-1/2" Male Iron Pipe	3.0	6
METER SWIVEL NUT BY PACK JOINT FOR COPPER OR PLASTIC TUBING (CTS)					
L34-13	5/8" Meter	x	3/4" CTS P.J.	.8	15
◆ L34-23	5/8"x3/4" & 3/4" Meter	x	3/4" CTS P.J.	1.0	15
L34-44	1" Meter	x	1" CTS P.J.	1.3	8
L34-45	1" Meter	x	1-1/4" CTS P.J.	.9	6
METER SWIVEL NUT BY PACK JOINT FOR PE PIPE					
L36-23	5/8"x3/4" & 3/4" Meter	x	3/4" PE Pipe P.J.	1.1	14
L36-44	1" Meter	x	1" PE Pipe P.J.	1.9	6

Grip Joint for CTS and PEP is available. Add "-G" to the catalog number.

◆ **Quick Joint** can be ordered by adding "-Q" to the catalog number.

Options Available

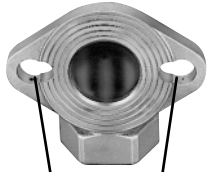
No-Lead alloy is available, add "-NL" to the end of the catalog number. With the No-Lead option, brass components in contact with potable water shall be of No-Lead Alloy, UNS/CDA No. C89833. Brass components that do not come in contact with potable water shall be UNS/CDA No. C83600.



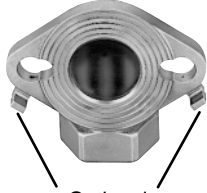
LXI Products meet
ANSI/NSF Standard 61
see page 3

Flange Meter Couplings

Flange Ells for 1-1/2" and 2" meters



2" Flanges have slotted bolt holes to fit 1-1/2" meters



Optional Support Brackets
(add "-MSB" to catalog number)

CATALOG NUMBER	DESCRIPTION	APPROX. WT. LBS.	STD. PKG. QTY.
METER FLANGE BY FEMALE IRON PIPE THREAD			
LF31-66	1-1/2" Meter Flange x 1-1/2" Female Iron Pipe	3.7	4
LF31-67	1-1/2" Meter Flange x 2" Female Iron Pipe	4.2	2
LF31-77	1-1/2" & 2" Meter Flange x 2" Female Iron Pipe	4.6	3
METER FLANGE BY FLARE COPPER			
LF32-66	1-1/2" Meter Flange x 1-1/2" Flare Copper	5.1	2
LF32-67	1-1/2" Meter Flange x 2" Flare Copper	7.5	1
LF32-77	1-1/2" & 2" Meter Flange x 2" Flare Copper	8.1	1
METER FLANGE BY PACK JOINT FOR COPPER OR PLASTIC TUBING (CTS)			
LF34-66	1-1/2" Meter Flange x 1-1/2" CTS P.J.	4.3	2
LF34-77	1-1/2" & 2" Meter Flange x 2" CTS P.J.	5.6	2

Grip Joint for CTS is available. Add "-G" to the catalog number.

For **Meter Support Brackets** (for Flange Ells), two per flange, add "-MSB" to catalog number

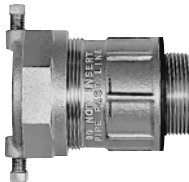
Lok-Pak Meter Couplings

Lok-Pak Meter Couplings for Flanged Meters



CATALOG NUMBER	DESCRIPTION	APPROX. WT. LBS.	STD. PKG. QTY.
METER FLANGE BY PACK JOINT FOR COPPER OR PLASTIC TUBING (CTS)			
CF34-66	1-1/2" Meter Flange x 1-1/2" CTS P.J.	3.7	3
CF34-77	2" Meter Flange x 2" CTS P.J.	4.8	5
METER FLANGE BY PACK JOINT FOR IRON PIPE			
CF35-66	1-1/2" Meter Flange x 1-1/2" Iron Pipe P.J.	3.6	3
CF35-77	2" Meter Flange x 2" Iron Pipe P.J.	5.1	3
METER FLANGE BY PACK JOINT FOR CAST IRON PIPE			
CF35-77-2.50	2" Meter Flange x 2" Cast Iron Pipe P.J.	4.3	3
METER FLANGE BY PACK JOINT FOR PVC PIPE			
CF37-66	1-1/2" Meter Flange x 1-1/2" PVC Pipe P.J.	4.0	3
CF37-77	2" Meter Flange x 2" PVC Pipe P.J.	5.7	5

Lok-Pak Meter Couplings for Tapped Meters



CATALOG NUMBER	DESCRIPTION	APPROX. WT. LBS.	STD. PKG. QTY.
CONNECTION FOR TAPPED METER BY PACK JOINT FOR COPPER OR PLASTIC TUBING (CTS)			
CT34-66	1-1/2" Tapped Meter Connection x 1-1/2" CTS P.J.	2.1	4
CT34-77	2" Tapped Meter Connection x 2" CTS P.J.	3.4	3
CONNECTION FOR TAPPED METER BY PACK JOINT FOR IRON PIPE			
CT35-66	1-1/2" Tapped Meter Connection x 1-1/2" Iron Pipe P.J.	2.2	4
CT35-77	2" Tapped Meter Connection x 2" Iron Pipe P.J.	3.3	3

Grip Joint for CTS only is available. Add "-G" to the catalog number. Gaskets are furnished with all meter couplings, Flat drop-in gaskets for flanged meters, flat ring gaskets for tapped meters. Steel bolts and nuts (5/8" x 2-1/2" Zinc Plated) for attaching 1-1/2" & 2" Flanges and Flange Ells are sold separately and are supplied in pairs. (Cat. No.: **PSB**)

Options Available

No-Lead alloy is available, add "-NL" to the end of the catalog number. With the No-Lead option, brass components in contact with potable water shall be of No-Lead Alloy, UNS/CDA No. C89833. Brass components that do not come in contact with potable water shall be UNS/CDA No. C83600.

Meter Flange



LXI Products meet
ANSI/NSF Standard 61
see page 3



Female Iron Pipe



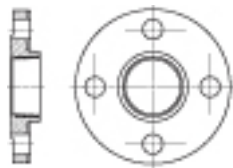
Male Iron Pipe

CATALOG NUMBER	DESCRIPTION	APPROX. WT. LBS.	STD. PKG. QTY.
CF31-66	1-1/2" Meter Flange x 1-1/2" Female Iron Pipe Thread	2.2	8
CF31-67	1-1/2" Meter Flange x 2" Female Iron Pipe Thread	1.9	8
+ CF31-77	2" Meter Flange x 2" Female Iron Pipe Thread	2.8	5
CF31-78	2" Meter Flange x 2-1/2" Female Iron Pipe Thread	3.2	5
* CF38-66-2	1-1/2" Meter Flange x 1-1/2" Male Iron Pipe Thread	2.4	5
+ CF38-77-1.937	2" Meter Flange x 2" Male Iron Pipe Thread	3.2	3
+* CF38-77-2.125	2" Meter Flange x 2" Male Iron Pipe Thread	3.2	3

* Standard Length

+ Slotted bolt holes are available on 2" Meter Flanges to allow 1-1/2" meter installations.

Note: Drop-in rubber gaskets are included with all 1-1/2" and 2" Meter Flanges and Flange Ells. Flange Couplings are not supplied with bolts. Steel bolts and nuts (5/8" x 2-1/2" Zinc Plated) for attaching 1-1/2" & 2" Flanges and Flange Ells are sold separately and are supplied in pairs. (Cat. No.: PSB)



RF-2I Flange

Four Bolt Round Flange

CATALOG NUMBER	DESCRIPTION	APPROX. WT. LBS.	STD. PKG. QTY.
RF-2I	2" 4-Bolt Meter Flange x 2" Female Iron Pipe Thread	4.4	5

Meter Adapters



A47 Adapter



Adapt from 1" to 2" meter with A14 Adapter



Adapt from 1" to 5/8" meter with A14 Adapter

CATALOG NUMBER	DESCRIPTION - USAGE	APPROX. WT. LBS.	STD. PKG. QTY.
ADAPTER RINGS TO BUSH METER SPUDS (NO CHANGE IN METER LENGTH)			
A12S	Pair short adapter rings to bush 5/8" meter spuds to 5/8"x3/4" meter spud size	.1	100 Pair
A12M	Pair medium adapter rings to bush 5/8" meter spuds to 5/8"x3/4" meter spud size	.1	100 Pair
A12L	Pair long adapter rings to bush 5/8" meter spuds to 5/8"x3/4" meter spud size	.2	75 Pair
A34S	Pair short adapter rings to bush 3/4" meter spuds to 1" meter spud size	.3	50 Pair
A45	Pair adapter rings to bush 1" meter spuds to 1-1/4" meter spud size	.2	35 Pair
ADAPTERS TO CHANGE METER SPUD SIZE AND/OR LENGTH			
A13	Pair adapters to change 5/8" meter to 3/4" meter spud size and length	.5	35 Pair
A14	Pair adapters to change 5/8" meter to 1" meter spud size and length	.8	15 Pair
A23	One adapter to change 5/8"x3/4" meter to 3/4" meter length	.4	30 Each
A24	Pair adapters to change 5/8"x3/4" meter to 1" spud size and length	1.1	12 Pair
A34	Pair adapters to change 3/4" meter to 1" meter spud size and length	.8	24 Pair
A44	One adapter to change 3/4"x1" meter to 1" meter length	.8	16 Each
A46	Pair adapters to change 1" meter to 1-1/2" flanged meter size and length	4.0	3 Pair
A47	Pair adapters to change 1" meter to 2" flanged meter size and length	7.1	1 Pair
A67	Pair adapters to change 1-1/2" flanged meter to 2" flanged meter size and length (eight special length bolts included)	8.7	2 Pair
TA46	Pair adapters to change 1" meter to 1-1/2" tapped meter size and length	1.5	8 Pair
TA47	Pair adapters to change 1" meter to 2" tapped meter size and length	3.0	4 Pair

Note: Adapter numbers A23 and A44 extend the meter length only and therefore only one per meter is required. All other adapters are sold in pairs; the part number and weight reflects a pair.

Options Available

No-Lead alloy is available, add "-NL" to the end of the catalog number. With the No-Lead option, brass components in contact with potable water shall be of No-Lead Alloy, UNS/CDA No. C89833. Brass components that do not come in contact with potable water shall be UNS/CDA No. C83600.



LXI Products meet
ANSI/NSF Standard 61
see page 3

Meter Idlers



for 5/8" through 1" meters

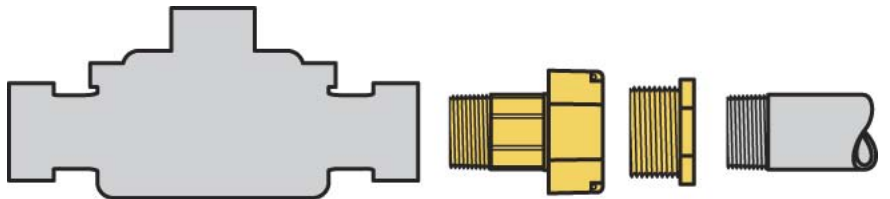


for 1-1/2" through 2" meters

CATALOG NUMBER	DESCRIPTION	APPROX. WT. LBS.	STD. PKG. QTY.
Idler-1	Replaces 5/8" Meter	.6	40
Idler-2	Replaces 5/8"x3/4" Meter	.9	25
Idler-3	Replaces 3/4" Meter	.9	18
Idler-4	Replaces 1" Meter	1.8	10
Idler-6	Replaces 1-1/2" Flanged Meter	5.8	4
Idler-7	Replaces 2" Flanged Meter	10.8	3

Note: Steel bolts and nuts (5/8" x 2-1/2" Zinc Plated) for attaching 1-1/2" and 2" Flange Lok-Pak Couplings, Adapters & Idlers, must be ordered separately and are supplied in pairs. (Cat. No.: **PSB**)

Meter Coupling Bushings



CATALOG NUMBER	DESCRIPTION	APPROX. WT. LBS.	STD. PKG. QTY.
BBIM-33	3/4" Female Iron Pipe Thread x 3/4" Male Meter Thread	-	-
BBIM-34	3/4" Female Iron Pipe Thread x 1" Male Meter Thread	0.5	-
BBIM-44	1" Female Iron Pipe Thread x 1" Male Meter Thread	0.4	-
BBIM-66	1-1/2" Female Iron Pipe Thread x 1-1/2" Meter Spud	1.0	15
BBIM-77	2" Female Iron Pipe Thread x 2" Meter Spud	1.4	8

Example: The male iron pipe thread end of a C38-66-2.875 threads into an 1-1/2" tapped meter. The female iron pipe thread of a BBIM-66 will thread onto the service line. This allows a swivel connection between the swivel nut on the C38-66-2.875 and the male meter thread on the BBIM-66.

Options Available

No-Lead alloy is available, add "-NL" to the end of the catalog number. With the No-Lead option, brass components in contact with potable water shall be of No-Lead Alloy, UNS/CDA No. C89833. Brass components that do not come in contact with potable water shall be UNS/CDA No. C83600.

"U" Branch Pieces

(7-1/2" Standard Spacing)

(6-1/2", 12-1/2" or 14" Spacing Optional)



LXI Products meet
ANSI/NSF Standard 61
see page 3



CATALOG NUMBER	DESCRIPTION	APPROX. WEIGHT LBS.				
		6-1/2" SPACING	7-1/2" STD SPACING	9" SPACING	12-1/2" SPACING	14" SPACING
"U" BRANCH PIECES						
U11-43-spacing	1" Female Iron Pipe x Two 3/4" Female Iron Pipe Outlets	2.2	2.3	N/A	2.4	3.4
U18-33-spacing	3/4" Female Iron Pipe x Two 3/4" Male Iron Pipe Outlets	1.8	1.9	N/A	N/A	N/A
U18-43-spacing	1" Female Iron Pipe x Two 3/4" Male Iron Pipe Outlets	1.6	1.8	N/A	2.8	2.9
U18-44-spacing	1" Female Iron Pipe x Two 1" Male Iron Pipe Outlets	N/A	N/A	N/A	N/A	3.1
U18-64-spacing	1-1/2" Female Iron Pipe x Two 1" Male Iron Pipe Outlets	N/A	N/A	3.6	N/A	N/A
U21-33-spacing	3/4" Flare Copper x Two 3/4" Female Iron Pipe Outlets	2.4	2.5	N/A	N/A	N/A
U21-43-spacing	1" Flare Copper x Two 3/4" Female Iron Pipe Outlets	2.1	2.8	N/A	3.5	3.5
U28-33-spacing	3/4" Flare Copper x Two 3/4" Male Iron Pipe Outlets	2.0	2.1	N/A	N/A	N/A
U28-43-spacing	1" Flare Copper x Two 3/4" Male Iron Pipe Outlets	2.1	2.2	N/A	3.4	3.5
U28-64-spacing	1-1/2" Flare Copper x Two 1" Male Iron Pipe Outlets	N/A	N/A	4.6	N/A	N/A
U88-33-spacing	3/4" Male Iron Pipe x Two 3/4" Male Iron Pipe Outlets	1.5	1.8	N/A	N/A	3.2
U88-43-spacing	1" Male Iron Pipe x Two 3/4" Male Iron Pipe Outlets	2.0	1.7	N/A	N/A	2.8
U88-64-spacing	1-1/2" Male Iron Pipe x Two 1" Male Iron Pipe Outlets	N/A	N/A	3.0	N/A	N/A
"U" BRANCH PIECES WITH PACK JOINT INLETS FOR COPPER OR PLASTIC TUBING (CTS)						
U41-43-spacing	1" CTS P.J. x Two 3/4" Female Iron Pipe Outlets	2.1	2.4	N/A	N/A	N/A
U48-33-spacing	3/4" CTS P.J. x Two 3/4" Male Iron Pipe Outlets	1.8	2.1	N/A	N/A	N/A
U48-43-spacing	1" CTS P.J. x Two 3/4" Male Iron Pipe Outlets	1.8	◆1.9	N/A	2.9	◆3.1
U48-63-spacing	1-1/2" CTS P.J. x Two 3/4" Male Iron Pipe Outlets	N/A	3.2	N/A	N/A	N/A
U48-64-spacing	1-1/2" CTS P.J. x Two 1" Male Iron Pipe Outlets	N/A	N/A	◆4.0	N/A	N/A
"U" BRANCH PIECES WITH PACK JOINT INLET FOR PE PIPE						
U68-33-spacing	3/4" PE Pipe P.J. x Two 3/4" Male Iron Pipe Outlets	2.0	2.1	N/A	N/A	N/A
U68-43-spacing	1" PE Pipe P.J. x Two 3/4" Male Iron Pipe Outlets	2.0	2.7	N/A	N/A	3.1
U68-53-spacing	1-1/4" PE Pipe P.J. x Two 3/4" Male Iron Pipe Outlets	N/A	3.0	N/A	N/A	N/A

Grip Joint for CTS and PEP (3/4" & 1") is available. Add "-G" to the catalog number.

◆ **Quick Joint** can be ordered by adding "-Q" to the catalog number.

Note: To order, use the catalog number plus the desired spacing; 6-1/2", 7-1/2", 9", 12-1/2" or 14" as shown available in the table above.

Example: U21-43-7.5 is a "U" Branch with a 1" flare inlet and two 3/4" FIP outlets with a 7-1/2" spacing between the outlets.

A 7-1/2" spacing will be provided unless otherwise specified.

Angle "U" Branch Pieces

(6-1/2" Spacing)



CATALOG NUMBER	DESCRIPTION	APPROX. WT. LBS.	STD. PKG. QTY.
ANGLE "U" BRANCH PIECES - 6-1/2" SPACING ONLY			
UA11-43-65	1" Female Iron Pipe x Two 3/4" Female Iron Pipe Outlets	2.0	2
UA18-43-65	1" Female Iron Pipe x Two 3/4" Male Iron Pipe Outlets	1.8	2
UA21-43-65	1" Flare Copper x Two 3/4" Female Iron Pipe Outlets	2.5	1
UA28-43-65	1" Flare Copper x Two 3/4" Male Iron Pipe Outlets	2.2	2
ANGLE "U" BRANCH PIECES WITH PACK JOINT INLET FOR COPPER OR PLASTIC TUBING (CTS)			
UA41-43-65	1" CTS P.J. x Two 3/4" Female Iron Pipe Outlets	2.2	2
UA48-43-65	1" CTS P.J. x Two 3/4" Male Iron Pipe Outlets	2.0	2

Grip Joint for CTS is available. Add "-G" to the catalog number.

Note: All Angle "U" Branch Pieces have 6-1/2" spacing.

Options Available

No-Lead alloy is available, add "-NL" to the end of the catalog number. With the No-Lead option, brass components in contact with potable water shall be of No-Lead Alloy, UNS/CDA No. C89833. Brass components that do not come in contact with potable water shall be UNS/CDA No. C83600.

Section H

Ford Water Meter Couplings & Accessories

Warranty

All merchandise is warranted to be free from defects in material and factory workmanship. We will provide free of charge new products in equal quantities for any that prove defective within one year from date of shipment from our factory. Manufacturer shall not be liable for any loss, damage, or injury, direct or consequential, arising out of the use of or the inability to use the product. Before using, user shall determine the suitability of product for his intended use and user assumes all risk and liability whatever in connection therewith. No claims for labor or consequential damage will be allowed. The foregoing may not be changed except by agreement signed by an officer of the manufacturer.

Please Note:

Consult the Ford Meter Box Company, Inc. web site (www.fordmeterbox.com) for the most recent catalog information. The Ford Meter Box Company considers the information in this catalog to be correct at the time of publication. Items and option availability, including specifications, are subject to change without notice. Please verify that your product information is current.



The Ford Meter Box Co., Inc. 775 Manchester Avenue, P.O. Box 443, Wabash, Indiana, USA 46992-0443
Telephone: 260/563-3171 FAX: 1-800-826-3487 Overseas FAX: 260/563-0167 <http://www.fordmeterbox.com>