

# The Ford Long Yokebox For 1" Meters



The Ford Long Yokebox for 1" meter settings is the newest addition to the Ford Meter Box family of backflow control products. The Ford Long Yokebox is furnished as a complete one-piece unit with all necessary components packaged inside. Installers will appreciate that only minimal excavation is required, allowing quick and easy installation. Utility Managers specifying the Ford Long Yokebox can be assured they are receiving the high quality and trouble free meter setting they desire on every job. Ford now offers a Long Yokebox for each meter size through 1", extending the Long Yokebox tradition for all of your residential backflow control requirements.

## **The Ford Long Yokebox for 1" meters offers the following benefits:**

- Protection for the meter and expensive automatic meter reading equipment
- Peace of mind from liability concerns because of reduced lid area that can be securely locked
- Backflow protection - Cartridge Style Dual Check Valve with ASSE 1024 certification
- Accommodates most modern reading systems for quick meter reading
- Quality Ford Ball Valves - accessible and easily operated - designed for years of trouble-free service
- Padlock Wings are standard – for locking valve in closed position
- The Ford Expansion Connection provides quick, easy, and wrench-free meter changing

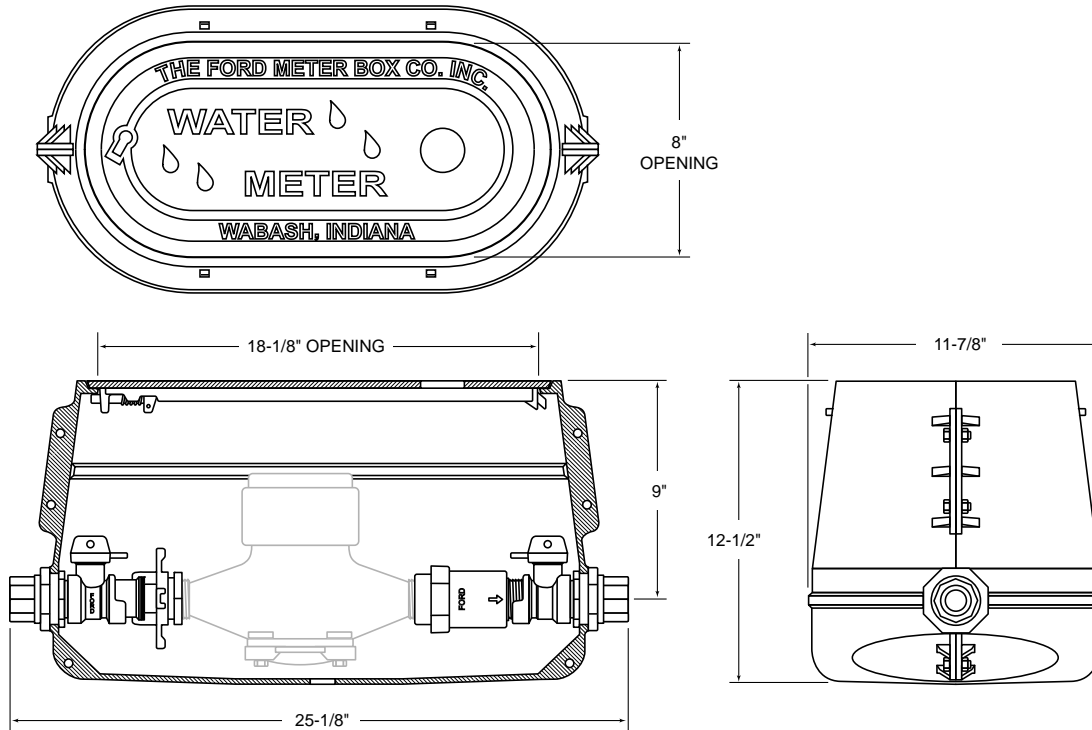


*Top view shows the Straight Ball Valves and  
Cartridge Style Dual Check Valve*



**The Ford Meter Box Company, Inc.** P.O. Box 443, Wabash, Indiana, USA 46992-0443  
Telephone: 260-563-3171 FAX: 800-826-3487 Overseas FAX: 260-563-0167 <http://www.fordmeterbox.com>

# FORD LONG YOKEBOX FOR 1" METERS



CATALOG NUMBER	INLET CONNECTION	OUTLET CONNECTION	APPROX. WT. LBS.
LYLBB111-444	FIP Thread	FIP Thread	77
LYLBB121-444	Flare Copper	FIP Thread	77
LYLBB122-444	Flare Copper	Flare Copper	77
*♦ LYLBB141-444	Pack Joint for CTS	FIP Thread	77
*♦ LYLBB144-444	Pack Joint for CTS	Pack Joint for CTS	77

- \* Grip Joint is available. Add "-G" to the catalog number.
- ♦ Quick Joint is available. Add "-Q" to the catalog number.
- Electronic Meter Reading Feature on Lid (2" hole) - Add "-T" to catalog number.
- Electronic Meter Reading Feature with removable plug - Add "-TP" to catalog number.

## PARTS FOR LONG YOKEBOXES FOR 1" METERS

CATALOG NUMBER	DESCRIPTION	APPROX. WT. LBS.
EC-4	Expansion Connection for 1" Long Yokebox	1.6
LYBB-4	1" Long Yokebox Upper Section Assembly	-
LYL-4	1" Locking Long Yokebox Lid	-
HHC33-93368-03	1" Long Yokebox Straight Cartridge Style Dual Check Valve	-
YBBV13-344W	1" Long Yokebox Ball Valve for 1" FIP	-
YBBV23-344W	1" Long Yokebox Ball Valve for 1" Flare Copper	-
YBBV43-344W	1" Long Yokebox Ball Valve with Pack Joint for 1" CTS	-
YBBV43-344W-G	1" Long Yokebox Ball Valve with Grip Joint for 1" CTS	-
YBBV43-344W-Q	1" Long Yokebox Ball Valve with Quick Joint for 1" CTS	-

Note: "W" indicates valve is available only with Padlock Wings.



The Ford Meter Box Company, Inc. P.O. Box 443, Wabash, Indiana, USA 46992-0443  
 Telephone: 260-563-3171 FAX: 800-826-3487 Overseas FAX: 260-563-0167 <http://www.fordmeterbox.com>