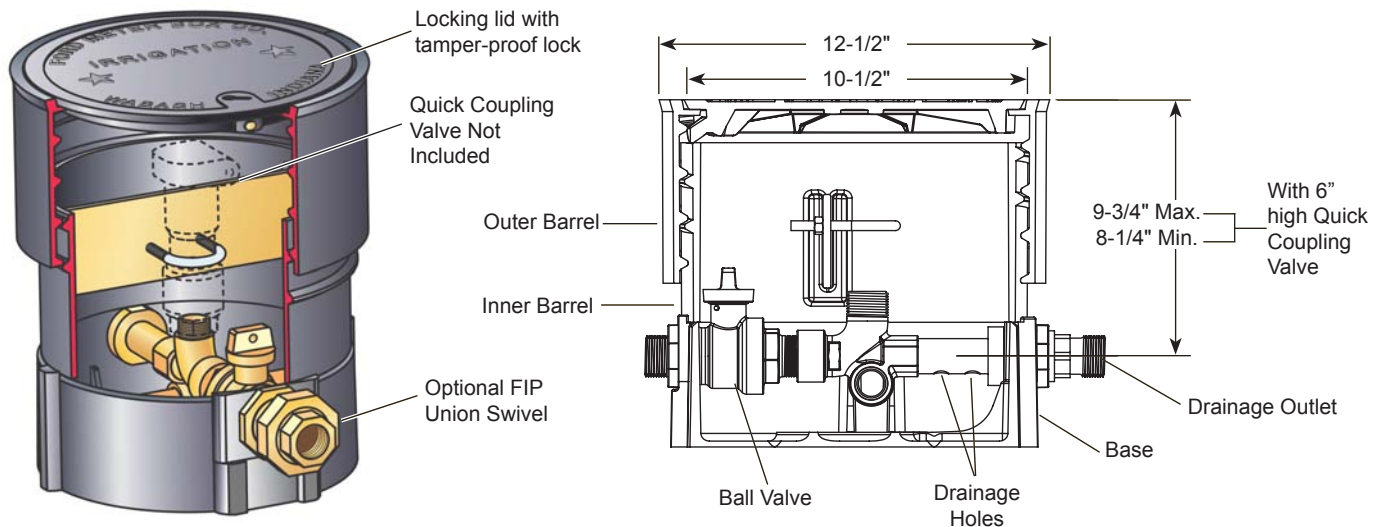


# THE FORD QUICK CONNECT BOX

The Ford Quick Connect Box is a cast iron box with a built-in vertical adjustability. The barrel of the box is in two parts, with cast threads on both, permitting the outer barrel to be screwed up and down over the inner barrel. The Ford Box can be moderately raised or lowered to adapt easily to site requirements during installation. At any time the Ford Box can be adjusted to a new grade, saving expensive labor hours and possible box replacement costs.

The internal components are firmly locked into place with sturdy braces and lock nuts, capable of withstanding repeated pulling forces.



## The Ford Quick Connect Box includes the following:

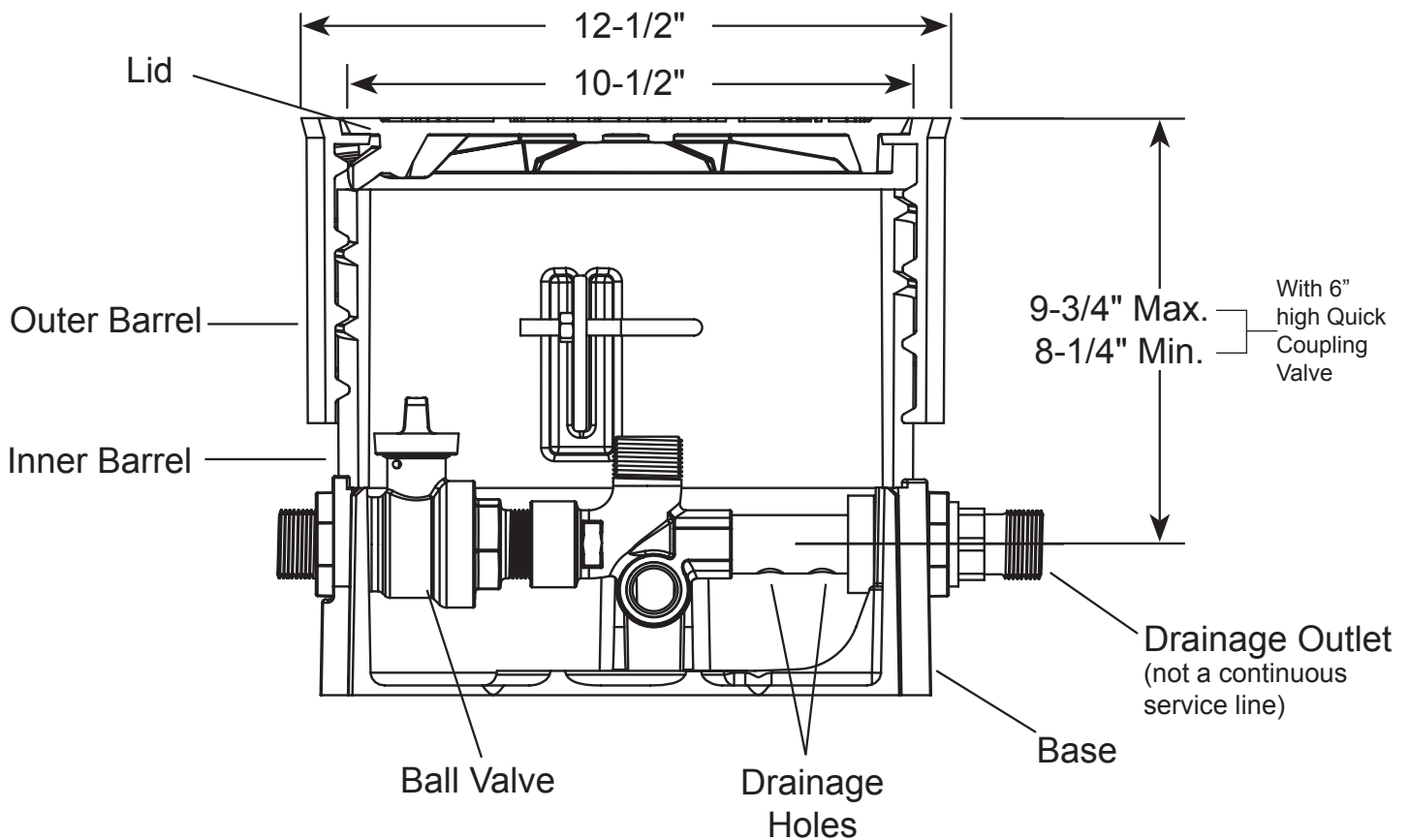
1. A base (with drain holes)
2. Inner Barrel
3. Outer barrel
4. Locking lid (with tamper-proof lock)
5. 1" Ball Valve inlet with MIP connecting threads  
(FIP Union Swivel Optional)
6. Internal service line brass
7. Brace plate with U-bolt
8. 1" MIP inlet x 1" MIP outlet (FIP union swivel optional)
9. 1" MIP for Quick coupling valve connection  
(Not included: Quick coupling valve and lid key)

## FORD QUICK CONNECT BOX FEATURES

1. The complete cast iron housing meeting ASTM A48, Class 25 (25,000 PSI Tensile Strength), keeps the connection clean and free from dirt and pests.
2. The rotating outer barrel can be moderately adjusted to meet the surface or grade level, after being connected to the service line.
3. Installing a Quick coupling valve is as simple as engaging and securing the coupling to the MIP threads provided.
4. The box includes a convenient ball type inlet valve, meeting the latest revision of AWWA Specification C800, an outlet for the Quick connect valve, and a drain line outlet, all constructed of high quality red brass for long life and durability.
5. A 10-1/2" lid can be ordered with special lettering: "Reclaimed Water" or "Irrigation". A tamper-proof lock on the lid provides a higher level of security.
6. A brass brace plate and stainless steel U-bolt are included for support of the Quick coupling valve.
7. The Ford Quick Connect Box is finished with the Ford E-coat. This E-coat finish is a high quality, black finish that is highly resistant to chipping, cracking, and corrosion.



# THE FORD QUICK CONNECT BOX



## QUICK CONNECT BOXES

CATALOG NUMBER	CONNECTOR SIZE	DESCRIPTION		LID TYPE	APPROX. WT. LBS.
		INLET	OUTLET		
QCB1FF-444-AWT-IRR	1"	*1" Female Iron Pipe Swivel	*1" Female Iron Pipe Swivel	Locking Irrigation	96.0
QCB1FF-444-AWT-RW	1"	*1" Female Iron Pipe Swivel	*1" Female Iron Pipe Swivel	Locking Reclaimed	96.0
QCB1F8-444-AWT-IRR	1"	*1" Female Iron Pipe Swivel	1" Male Iron Pipe	Locking Irrigation	96.0
QCB18F-444-AWT-RW	1"	1" Male Iron Pipe	*1" Female Iron Pipe Swivel	Locking Reclaimed	96.0
QCB188-444-IRR	1"	1" Male Iron Pipe	1" Male Iron Pipe	Locking Irrigation	96.0
QCB188-444-RW	1"	1" Male Iron Pipe	1" Male Iron Pipe	Locking Reclaimed	96.0

\*Female swivel assembled water tight.

NOTE: Lockless lids are available, add "LL" to the end of the catalog number.

## QUICK CONNECT BOX PARTS AND ACCESSORIES



MBLK

CATALOG NUMBER	DESCRIPTION	APPROX. WT. LBS.
YBL-IRR	"Irrigation" Locking Top Lid	8.0
YBL-RW	"Reclaimed" Locking Top Lid	8.0
MBLK	Box Lid Key	0.5
MBVW	Box Valve Wrench (18" long)	2.0

NOTE: Access systems should be installed so that all valves are below the frost line.

