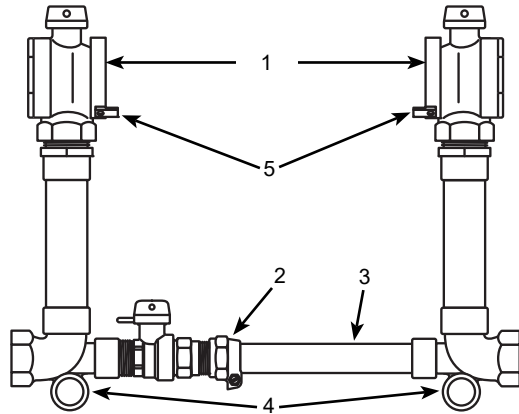


1-1/2" & 2" COPPERSETTER INSTALLATION INSTRUCTIONS

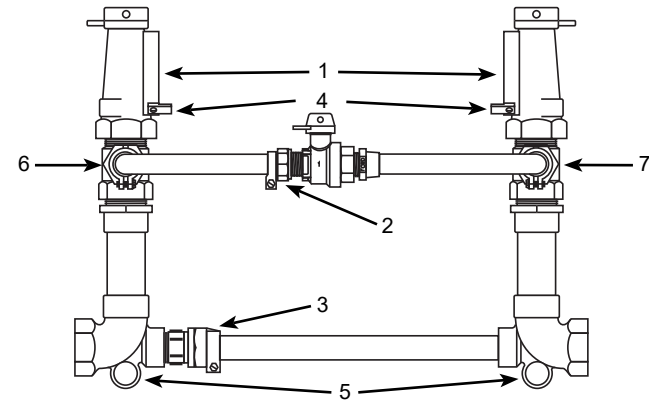
Refer to the FMB website (<http://www.fordmeterbox.com>) for additional and most recent instructions and product information.



- CHECK LAYING LENGTH OF METER WITH SETTER DIMENSIONS (#1).**
Adjustments to setter meter length may be made as follows:
 - LOOSEN PACK JOINT (#2) AND ADJUST SETTER LENGTH TO FIT METER BY INSTALLING PROPER IDLER OR METER (WITH GASKETS).** This ensures proper spacing and alignment of the setting prior to connecting the service lines.
 - If a shorter meter is used, cut the copper tubing (#3) to ensure the copper tubing extends a minimum of 1/2" beyond the Pack Joint gasket when the meter is fully installed.
 - Tighten Pack Joint (#2) nut and screw according to the Pack Joint installation instructions.
- Cut two pieces of 1" pipe 18" long and install through the brace eye supports (#4).
- Be sure the Coppersetter is installed in the correct position in relation to the water flow and make sure the bypass valve is in the **OFF** position. **Note:** 1-1/2" and 2" angle key valves should not be used as a customer shut-off on the customer side of the meter. Angle Ball Valves are to be used for this purpose.
- Use a good quality pipe sealant or Teflon tape when attaching fittings to female iron pipe inlet and outlet threads. Follow the compression connection installation instructions if supplied with compression connections.
- Special Ford drop-in gaskets are included with each setter for use when installing the water meter. Meter support brackets (#5) may need to be loosened or removed due to variations in the shape of water meter flanges.

HIGH BYPASS STYLE 1-1/2" & 2" COPPERSETTER INSTALLATION INSTRUCTIONS

Refer to the FMB website (<http://www.fordmeterbox.com>) for additional and most recent instructions and product information.



- CHECK LAYING LENGTH OF METER WITH SETTER DIMENSIONS (#1).**
Adjustments to setter meter length may be made as follows:
 - LOOSEN PACK JOINT (#3) ON COPPERSETTER BRACE BAR AND ON BYPASS BALL VALVE (#2) AND ADJUST SETTER LENGTH TO FIT BY INSTALLING PROPER IDLER OR METER (WITH GASKETS).** This ensures proper spacing and alignment of the setting prior to connecting the service lines.
 - If a shorter meter is used, cut the copper tubing near the #2 and #3 locations to ensure the copper tubing extends a minimum of 1/2" beyond the Pack Joint gaskets when the meter is fully installed.
 - Tighten all Pack Joints (#2, #3, #6 and #7) (according to the Pack Joint installation instructions) with meter or meter idler in place.
- Cut two pieces of 1" pipe 18" long and install through the brace eye supports (#5).
- Be sure the Coppersetter is installed in the correct position in relation to water flow and make certain the bypass valve is **OFF**. **Note:** 1-1/2" and 2" angle key valves should not be used as a customer shut-off on the customer side of the meter. Angle Ball Valves are to be used for this purpose.
- Use a good quality pipe sealant or Teflon tape when attaching fittings to the female iron pipe inlet or outlet threads. Follow the compression connection installation instructions if supplied with compression connections.
- Special Ford drop-in gaskets are included with each setter for use when installing a water meter. Meter support brackets (#4) may need to be loosened or removed due to variations in shape of water meter flanges.



The Ford Meter Box Co., Inc. 775 Manchester Avenue, P.O. Box 443, Wabash, Indiana, USA 46992-0443
Telephone: 260-563-3171 FAX: 800-826-3487 Overseas FAX: 260-563-0167 <http://www.fordmeterbox.com>



The Ford Meter Box Co., Inc. 775 Manchester Avenue, P.O. Box 443, Wabash, Indiana, USA 46992-0443
Telephone: 260/563-3171 FAX: 1-800-826-3487 Overseas FAX: 260/563-0167 <http://www.fordmeterbox.com>