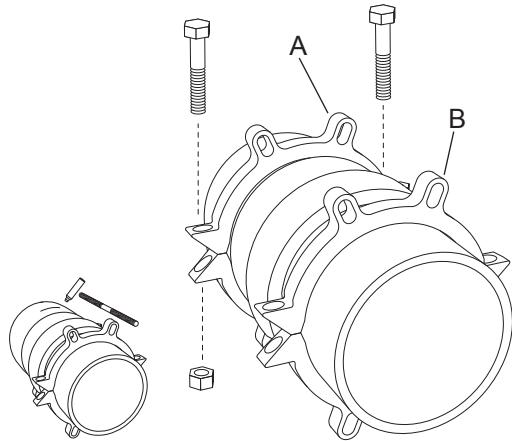


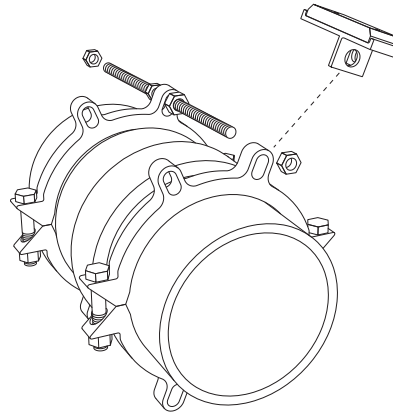
10" - 12" / SERIES UFRCS1390

ASSEMBLY INSTRUCTIONS FOR RESTRAINED CASING SPACER / SUPPORT OF PIPE BELL JOINT

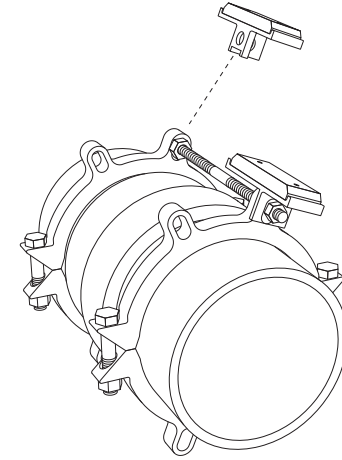
Refer to the Ford website (<http://www.fordmeterbox.com>) for additional and most recent installation instructions and product information.



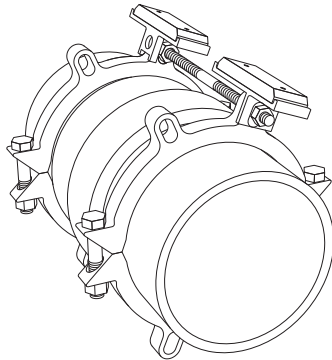
1. Using one of the threaded rods and runners as a guide, position the two UFR1300 restraint rings and install them on the pipe, one behind the bell and one on the spigot. Make sure restraint ring ears A & B are properly aligned. Tighten the clamping bolts evenly to 200 ft-lb. (Assembly of the restrainer halves can be done before making up the pipe joint.)



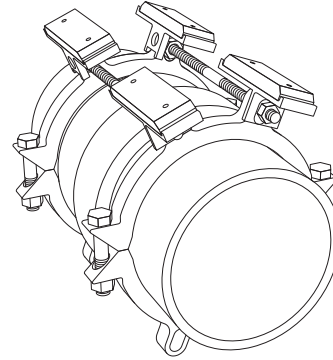
2. Thread a nut from each end of the threaded rod to the rod shank. (See inset below) Connect the restrainers with threaded rods. Assemble the runner on the restraint ring ear as the rod is passed through the hole.



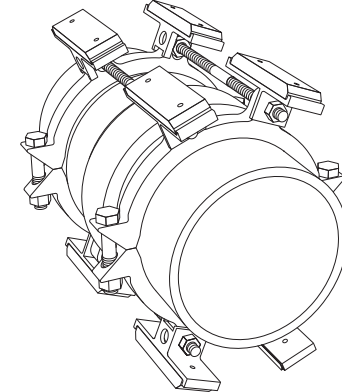
3. To assemble the second runner, place the runner on the restraint ring ear and slide the runner on the restraint ring ear and slide the runner on the restraint ring ear through the slots in the runner and the restraint ring ear.



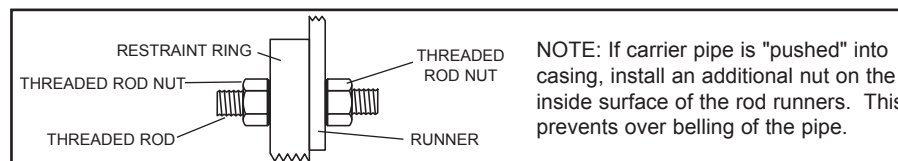
4. To finish the threaded rod / runner assembly, tighten the nuts on the threaded rod against the runners. **Do not over-tighten retaining nuts on the threaded rods.**



5. Install the second set of runners. Repeat steps #3 and #4. **Do not over-tighten retaining nuts on the threaded rods.**



6. Complete the installation by placing the remaining threaded rods in place through the restraint ring ears. **Do not over-tighten retaining nuts on the threaded rods.**



10" - 12" / SERIES UFRCS1390

ASSEMBLY INSTRUCTIONS FOR RESTRAINED CASING SPACER / SUPPORT OF PIPE BELL JOINT

Refer to the Ford website (<http://www.fordmeterbox.com>) for additional and most recent installation instructions and product information.

EXPLODED VIEW

