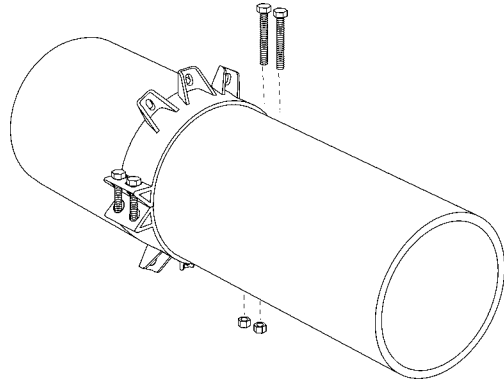


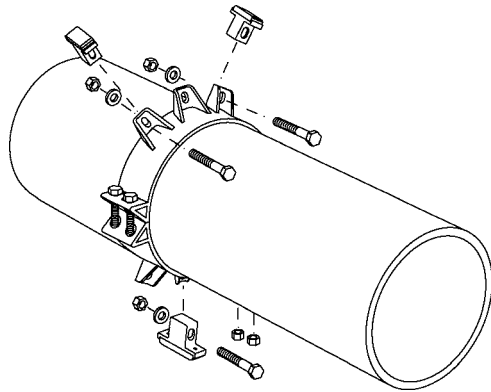
14" - 24" / SERIES UFRCS1300

ASSEMBLY INSTRUCTIONS FOR RESTRAINED CASING SPACER / SUPPORT OF PIPE BARREL

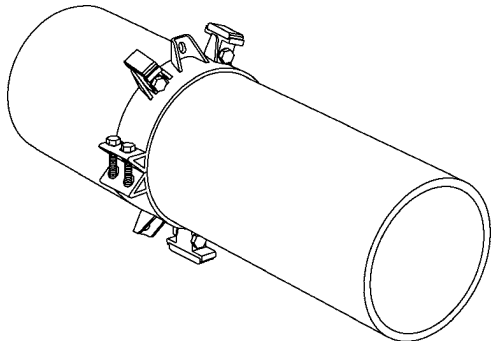
Refer to the Ford website (<http://www.fordmeterbox.com>) for additional and most recent installation instructions and product information.



1. Assemble restraint ring onto pipe. Tighten clamping bolts in an alternating manner (keep gap between restrainer halves even on both sides) to the recommended torque shown on the restrainer.

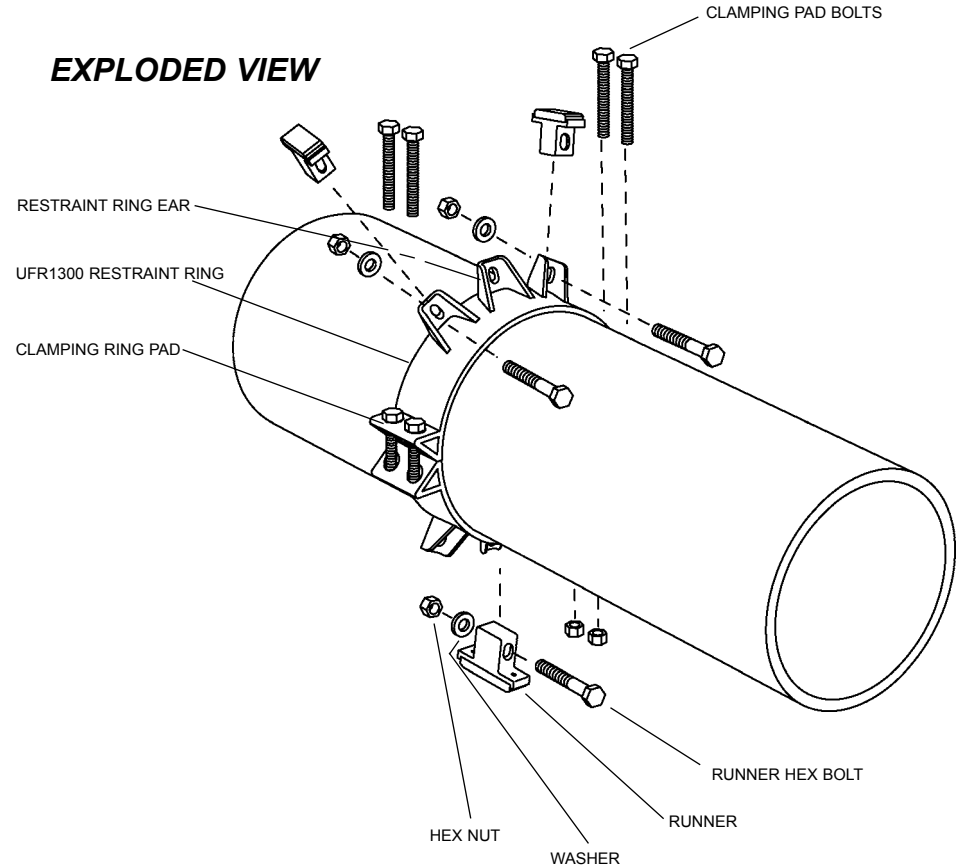


2. Place the runner on the restraint ring ear and slide the hex bolt through the slot. Place a washer on the bolt and tighten with the nut against it.



3. Assembled support for Pipe Barrel should appear as shown.

EXPLODED VIEW



PARTS LIST

- 1 - UFR1300 RESTRAINT
- 4 - RUNNERS
- 4 - HEX BOLTS
- 4 - WASHERS
- 4 - HEX NUTS

