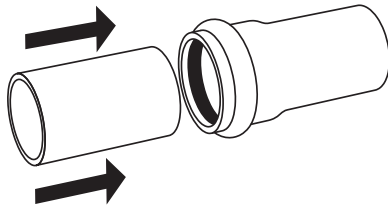


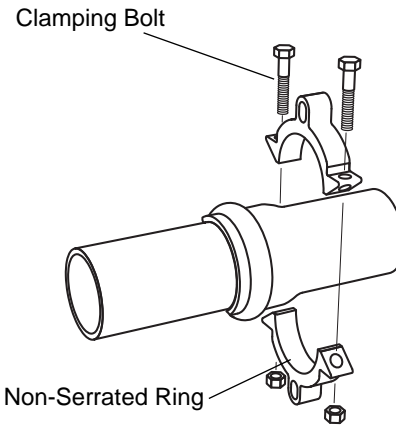
ASSEMBLY INSTRUCTIONS FOR 4" - 12" SERIES 1355-x-U

Standard restraint device for new or existing installations of C900 PVC Pipe Bell Joints

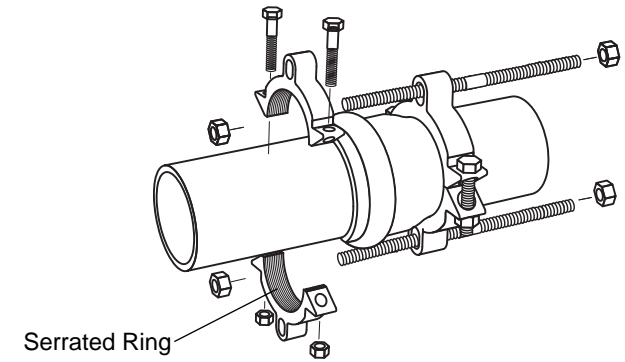
Refer to the FMB website (<http://www.fordmeterbox.com>) for additional and most recent instructions and product information.



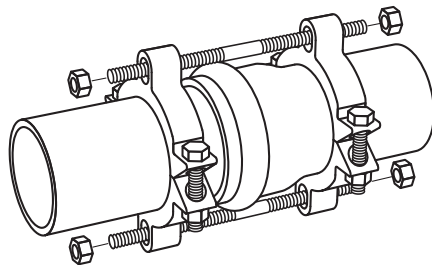
1. Assemble spigot pipe end to bell using standard procedure, following pipe manufacturer's recommendations.



2. Assemble split (non-serrated) back-up ring onto the pipe behind the pipe bell. Make sure the ring is snug against the bell transition. Evenly tighten the back-up ring (BUR) clamping bolts to the recommended torque as shown in Table 1.



3. Assemble Series 1300-x serrated clamping ring onto spigot end of the pipe using the connecting rods as positioning guides. Evenly tighten the 1300-x clamping bolts to the recommended torque as shown in Table 1.



4. Insert all provided connecting rods into the slots and position as close to the pipe as possible. Snug connecting nuts hand tight. Using a wrench, tighten each connecting nut an additional 1/2 turn in order to firmly seat the back up ring against the bell. **Do not over-tighten the connecting nuts.**

Table 1

	Recommended Clamping Bolt Torque	
	BUR	1300-x
4" and 6"	50 ft-lb	100 ft-lb
8"	75 ft-lb	150 ft-lb
10" and 12"	100 ft-lb	200 ft-lb



The Ford Meter Box Co., Inc. 775 Manchester Avenue, P.O. Box 443, Wabash, Indiana, USA 46992-0443
 Telephone: 260-563-3171 FAX: 800-826-3487 Overseas FAX: 260-563-0167 <http://www.fordmeterbox.com>

