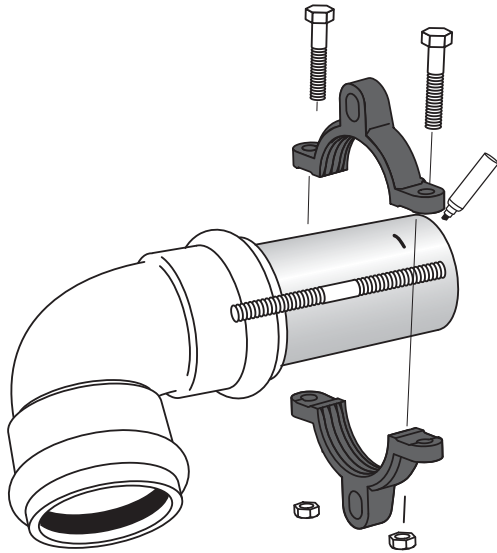


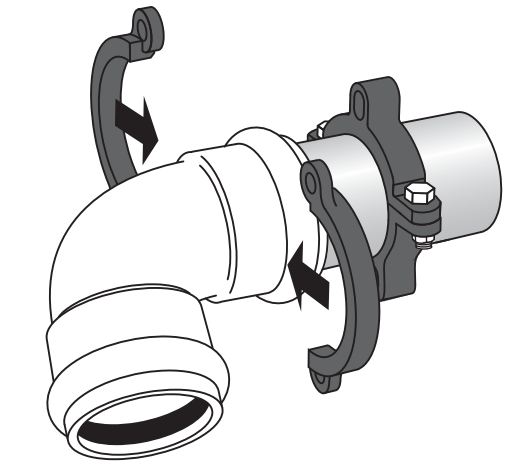
UNI-FLANGE 4"- 8" SERIES 1369-C INSTALLATION INSTRUCTIONS

Refer to the Ford website (<http://www.fordmeterbox.com>) for additional and most recent instructions and product information.



1. Complete the fitting and pipe connection according to the manufacturers' instructions. Install Series 1309 split restraint ring on the spigot end of the pipe. (Use connecting rod as a guide to position split restraint ring as shown above. Mark a line on the pipe approximately 1" shorter than the rod length.) Tighten clamping bolts evenly at least to the minimum recommended torque in the table below. A torque wrench is highly recommended and required to ensure proper torque.

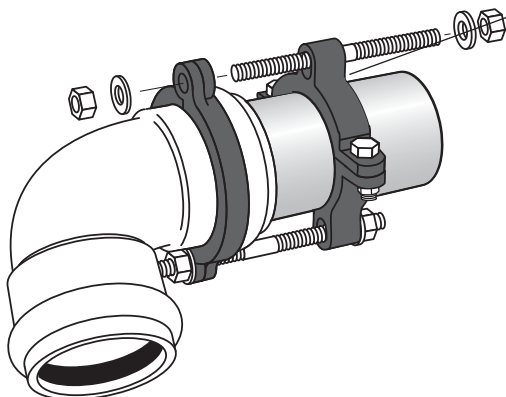
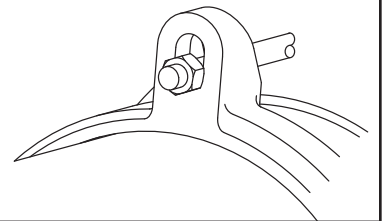
Minimum Recommended Clamping Bolt Torque	
4" and 6"	100 Ft. Lbs.
8"	150 Ft. Lbs.



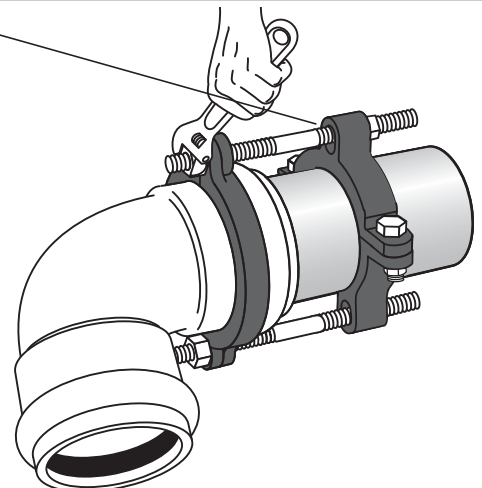
2. Install split back-up ring behind gasket race of fitting (make sure the bevel faces the gasket race). The two halves interlock at the bolt holes.

IMPORTANT

Note: Position the restraint and back-up ring so the nuts for the connecting rod contact the flat side of the ears. The restraint will not function properly if installed incorrectly.



3. Insert extra long rods (provided) through bolt holes on the restrainer and through bolt holes on back-up ring. Place washers against restraint ring and back-up ring ears.



4. Tighten nuts behind back-up ring and restrainer. (Hand tight retaining nuts, then one revolution...do not over-tighten).



The Ford Meter Box Co., Inc. 775 Manchester Avenue, P.O. Box 443, Wabash, Indiana, USA 46992-0443
 Telephone: 260/563-3171 FAX: 1-800-826-3487 Overseas FAX: 260/563-0167 <http://www.fordmeterbox.com>