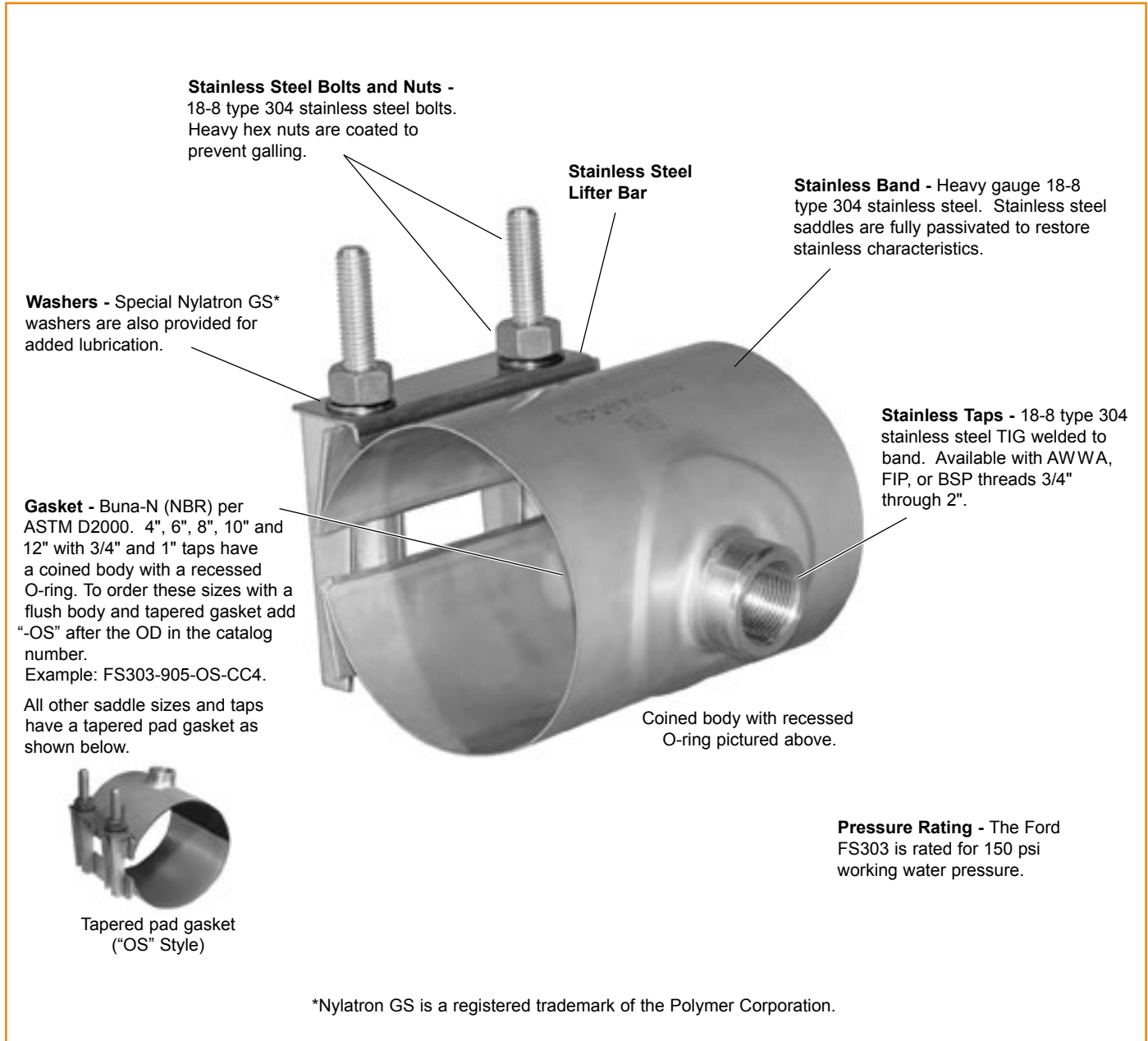


Ford Stainless Steel Saddles Style FS303

For 3/4" through 2" Taps

Primarily for use on Standard or C900 PVC Pipe
or for applications in a corrosive environment.

Specifications



Ford Stainless Steel Saddles Style FS303

For 3/4" through 2" Taps

To Order: Add tap code to catalog number. For example: A saddle for 8" PVC with a 1" CC tap would be FS303-905-CC4.

NOM. PIPE SIZE	O.D. RANGE	CATALOG NUMBER	BOLT SIZE	BOLT QTY.	BAND WIDTH		No. OF SECTIONS	APPROX. WT. LBS. BY TAP SIZE	
					3/4" & 1"	1-1/4" - 2"		3/4" & 1"	1-1/4" - 2"
					2"	2.38		FS303-238-Tap	1/2"
2-1/2"	2.88	FS303-288-Tap	1/2"	1	4"	-	1	1.7	-
3"	3.50	FS303-350-Tap	1/2"	1	4"	-	1	2.0	-
4"	4.50-4.80	FS303-480-Tap	1/2"	2	6"	7-1/2"	1	2.4	4.2
	4.74-5.54	FS323-554-Tap	5/8"	2	6"	7-1/2"	2	2.7	4.5
5"	5.56	FS303-556-Tap	5/8"	2	6"	7-1/2"	1	2.7	4.8
6"	6.63-6.90	FS303-690-Tap	5/8"	2	6"	7-1/2"	1	2.9	5.1
	6.40-7.20	FS323-720-Tap	5/8"	4	6"	7-1/2"	2	3.0	5.3
8"	8.63-9.05	FS303-905-Tap	5/8"	2	6"	7-1/2"	1	3.3	5.6
	8.40-9.20	FS323-920-Tap	5/8"	4	6"	7-1/2"	2	3.9	5.9
10"	10.75-11.10	FS303-1110-Tap	5/8"	2	6"	7-1/2"	1	6.2	8.6
	10.70-11.50	FS323-1150-Tap	5/8"	4	6"	7-1/2"	2	6.5	8.9
12"	12.75-13.20	FS303-1320-Tap	5/8"	2	6"	7-1/2"	1	6.8	9.1
	12.70-13.50	FS323-1350-Tap	5/8"	4	6"	7-1/2"	2	7.1	9.3
14"	14.00-14.80	FS323-1480-Tap	5/8"	4	6"	7-1/2"	2	8.7	9.3
	14.95-15.75	FS323-1575-Tap	5/8"	4	6"	7-1/2"	2	9.3	9.9
	15.75-16.55	FS323-1655-Tap	5/8"	4	6"	7-1/2"	2	9.8	10.4
16"	15.60-16.40	FS323-1640-Tap	5/8"	4	6"	7-1/2"	2	9.8	10.3
	16.40-17.20	FS323-1720-Tap	5/8"	4	6"	7-1/2"	2	10.2	10.9
	17.20-18.00	FS323-1800-Tap	5/8"	4	6"	7-1/2"	2	10.7	11.4
18"	17.60-18.40	FS323-1840-Tap	5/8"	4	6"	7-1/2"	2	11.0	11.6
	18.00-18.80	FS323-1880-Tap	5/8"	4	6"	7-1/2"	2	11.2	11.9
	18.40-19.20	FS323-1920-Tap	5/8"	4	6"	7-1/2"	2	11.5	12.2
	18.80-19.60	FS323-1960-Tap	5/8"	4	6"	7-1/2"	2	12.0	12.4
	19.20-20.00	FS323-2000-Tap	5/8"	4	6"	7-1/2"	2	12.0	12.7
20"	21.40-22.60	FS333-2260-Tap	5/8"	6	6"	7-1/2"	3	13.3	14.1
	22.80-24.00	FS333-2400-Tap	5/8"	6	6"	7-1/2"	3	14.2	15.1
	23.45-24.65	FS333-2465-Tap	5/8"	6	6"	7-1/2"	3	14.6	15.5
24"	24.45-25.65	FS333-2565-Tap	5/8"	6	6"	7-1/2"	3	15.2	16.1
	25.50-26.70	FS333-2670-Tap	5/8"	6	6"	7-1/2"	3	15.9	16.8
	28.25-29.45	FS333-2945-Tap	5/8"	6	6"	7-1/2"	3	17.6	18.7
30"	29.40-30.60	FS333-3060-Tap	5/8"	6	6"	7-1/2"	3	18.0	19.0
	29.85-31.05	FS333-3105-Tap	5/8"	6	6"	7-1/2"	3	18.6	19.7
	30.85-32.05	FS333-3205-Tap	5/8"	6	6"	7-1/2"	3	19.2	20.4

Other sizes and ranges available. Contact factory for details.

OUTLET THREAD TAP CODE

CC (AWWA) THREAD		FIP THREAD		BSP THREAD	
THREAD	CODE	THREAD	CODE	THREAD	CODE
3/4" CC	CC3	3/4" IP	IP3	3/4" BSP	BSP3
1" CC	CC4	1" IP	IP4	1" BSP	BSP4
1-1/4" CC	CC5	1-1/4" IP	IP5	1-1/4" BSP	BSP5
1-1/2" CC	CC6	1-1/2" IP	IP6	1-1/2" BSP	BSP6
2" CC	CC7	2" IP	IP7	2" BSP	BSP7