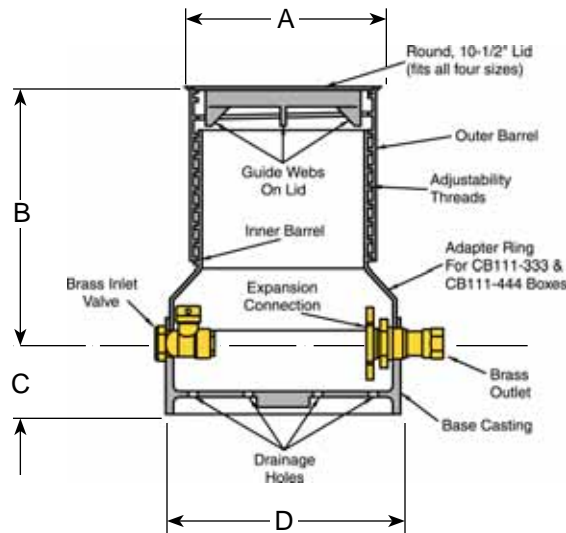


# Features of the Ford Crescent Box

For 5/8", 5/8"x3/4", 3/4", and 1" Meters



When setting meters in climates where service lines range from one to two feet in depth, Crescent Boxes offer outstanding advantages. The cast iron box has a built-in vertical adjustability of 7". The barrel of the box is in two parts, with cast threads on both, permitting the outer barrel to be screwed up and down over the inner barrel. The Crescent Box is raised or lowered to adapt easily to site requirements during installation.

At any time the Crescent Box can be quickly adjusted to a new grade or sidewalk level, saving expensive labor hours and possible meter box replacement costs. This feature can be an important factor in providing greater pedestrian safety.

## Crescent Box Dimensions

METER SIZE	A	B	C	D
5/8"	12-1/2"	11"—18"	2-3/4"	11-1/4"
5/8"x3/4"	12-1/2"	11"—18"	2-3/4"	11-1/4"
3/4"	12-1/2"	14"—21"	2-3/4"	13"
1"	12-1/2"	15"—22"	4-1/4"	*16"

\*16" x 12" oval

Crescent Boxes are installed in the service line as a unit. The meter can be inserted either during or after installation. These boxes come equipped with straight inlet and outlet connections only.

## Other Crescent Box Features

1. The complete cast iron housing meeting ASTM A48, Class 25 (25,000 PSI Tensile Strength) keeps the meter clean – free from dirt and pests – and easy to read.
2. The box includes a convenient brass inlet valve. The inlet valve, clamping device, and outlet connection are waterworks brass, meeting the latest revision of AWWA Specification C800.
3. Removing or installing meters is quick and simple because of the effective meter clamping device contained in the box (similar in operation to the standard Expansion Connection described on page 7). Perfect alignment and spacing of service lines is maintained during meter changeouts.
4. Crescent Box lids are round, providing a lid opening of 10-1/2". Locking or Lockless type lids are available. See page 5 for description of lock. All lids are interchangeable among the four sizes of boxes listed.

**NOTE:** Lockless lids are standard on Crescent Boxes.

## Crescent Box Design



Pictured is the Lockless type lid – note guide webs and lifting notches. Locking lids are available with the same lock as described on page 5. Lids are cast iron.



Cast iron outer barrel, showing bead around top to prevent settling when installed in concrete.



Cast iron inner barrel, showing adjustability threads on outside that screw into threads in outer barrel.



Cast iron base unit holds brass inlet valve, the meter clamping device and outlet connection.



LXI Products meet  
ANSI/NSF Standard 61  
see page 3

# Ford Crescent Boxes

For 5/8", 5/8"x3/4", 3/4", and 1" Meters

The outer barrel threads of the Crescent Box screw onto the inner barrel threads. By simply rotating the outer barrel on the inner barrel, the overall height of box can be adjusted vertically as much as 7". During installation the Crescent Box can be raised or lowered to match the surface or grade level, after being connected to the service line.



At any time after installation, the Crescent Box can be adjusted to a new grade or sidewalk level. This can save expensive labor hours and even meter box replacement costs.

At left are two pictures of the CB111-233 Crescent Box, the first showing the box contracted to its minimum depth of 11", the second showing the same box extended to its maximum depth of 18". The minimum elevation of lid above the center of the service line is 11" for 5/8" (CB111-133) and 5/8"x3/4" (CB111-233) meter sizes; 14" for 3/4" meters (CB111-333); 15-1/2" for 1" meters (CB111-444).

### Crescent Boxes for 3/4" and 1" Meters

CB111-333 and CB111-444 Crescent Boxes have larger diameter bases than the CB111-133, CB144-133, and CB111-233 Crescent Boxes, but use the same size barrels and lids.

### CRESCENT BOXES

CATALOG NUMBER	METER SIZE	DESCRIPTION		APPROX. WT. LBS.
		INLET	OUTLET	
CB111-133	5/8"	3/4" Female Iron Pipe	3/4" Female Iron Pipe	72.0
CB111-233	5/8"x3/4"	3/4" Female Iron Pipe	3/4" Female Iron Pipe	72.0
CB111-333	3/4"	3/4" Female Iron Pipe	3/4" Female Iron Pipe	95.0
CB111-444	1"	1" Female Iron Pipe	1" Female Iron Pipe	109.0
CB144-133	5/8"	3/4" Pack Joint for Copper or Plastic Tubing (CTS)*	3/4" Pack Joint for Copper or Plastic Tubing (CTS)*	72.0

Add "-T" to the catalog number for Electronic Meter Read feature on lid (2" hole). Example: CB111-233-T.

### ACCESSORIES FOR CRESCENT BOXES

CATALOG NUMBER	DESCRIPTION	APPROX. WT. LBS.
MBLK	Crescent Box Lid Key	0.5
MBVW	Crescent Box Valve Wrench (18" long)	2.0
RETRO-CRES-1	5/8" Crescent Box Retrosetter	-
RETRO-CRES-2	5/8"x3/4" Crescent Box Retrosetter	-

### CRESCENT BOX PARTS

CATALOG NUMBER	METER SIZE	DESCRIPTION OF ITEM	APPROX. WT. LBS.
CBA-3	3/4"	Box Adapter Ring	7.0
CBA-4	1"	Box Adapter Ring	10.0
CBB-1	5/8" & 5/8"x3/4"	Base Piece	14.5
CBB-3	3/4"	Base Piece	25.0
CBB-4	1"	Base Piece	34.5
CBBA	5/8" thru 1"	Box Inner and Outer Barrel	46.0
CBEO-1	5/8"	Crescent Box Expansion 3/4" Female Iron Pipe Outlet	1.5
CBEO-2	5/8"x3/4"	Crescent Box Expansion 3/4" Female Iron Pipe Outlet	1.5
CBEO-3	3/4"	Crescent Box Expansion 3/4" Female Iron Pipe Outlet	2.0
CBEO-4	1"	Crescent Box Expansion 1" Female Iron Pipe Outlet	3.1
CBEO-4-13	5/8"	Crescent Box Expansion 3/4" Pack Joint for CTS Outlet*	1.8
CBL	5/8" thru 1"	Locking Top Lid	8.0
CBLL	5/8" thru 1"	Lockless Top Lid	9.5
CBUB	5/8" thru 1"	One Piece Upper Barrel	17.0
CBV-1	5/8"	Crescent Box Key Valve 3/4" Female Iron Pipe Inlet	2.0
CBV-2	5/8"x3/4"	Crescent Box Key Valve 3/4" Female Iron Pipe Inlet	1.9
CBV-3	3/4"	Crescent Box Key Valve 3/4" Female Iron Pipe Inlet	2.5
CBV-4	1"	Crescent Box Key Valve 1" Female Iron Pipe Inlet	3.4
CBV13-231	5/8"	Crescent Box Ball Valve 3/4" Female Iron Pipe Inlet	1.4
CBV13-232	5/8"x3/4"	Crescent Box Ball Valve 3/4" Female Iron Pipe Inlet	1.4
CBV34-313	5/8"	Crescent Box Key Valve 3/4" Pack Joint for CTS Inlet*	1.9

\*Grip Joint for CTS is available. Add "-G" to the catalog number.