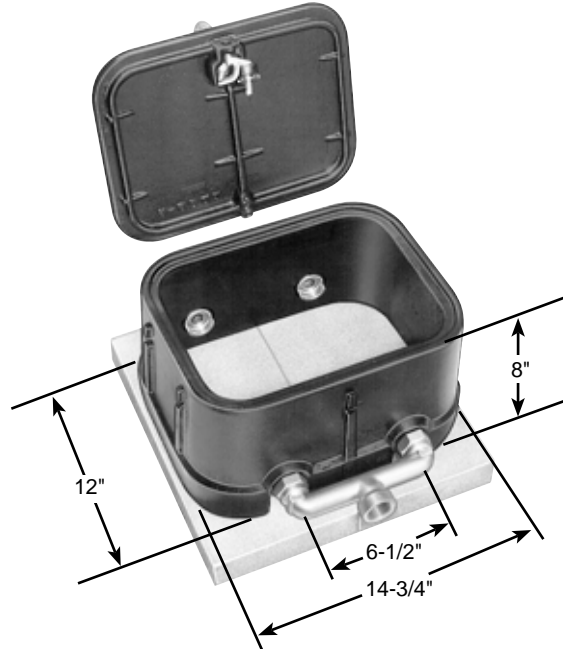


# Ford Double Gulfbox

For 5/8" Low-Profile Meters

This unique meter housing holds two 5/8" or 5/8"x3/4" modern magnetic or multi-jet meters measuring not over 5" above center line nor more than 2-1/4" below center line. It is installed in the service line as a single unit. Branch Piece, Valves, Expansion Connections, and Outlet Pieces are waterworks brass meeting AWWA Specification C800 and latest revisions. The valves are of the Ball type. The iron lid and body meet ASTM A48, Class 25 (25,000 PSI Tensile Strength). The Double Gulfbox may be set on two 8" x 16" x 2" concrete blocks, available locally at low cost. The body casting has drain notches. Anchor lugs prevent settling.



## STRAIGHT INLET - STRAIGHT OUTLET

CATALOG NUMBER	DESCRIPTION		APPROX. WT. LBS.
	INLET	OUTLET	
DG112-143	1" Female Iron Pipe	3/4" Flare Copper	42.0
DG114-143	1" Female Iron Pipe	3/4" Pack Joint for Copper or Plastic Tubing (CTS)*	42.0
DG118-143	1" Female Iron Pipe	3/4" Male Iron Pipe	42.0
DG122-143	1" Flare Copper	3/4" Flare Copper	42.0
DG124-143	1" Flare Copper	3/4" Pack Joint for Copper or Plastic Tubing (CTS)*	42.0
DG128-143	1" Flare Copper	3/4" Male Iron Pipe	42.0
DG142-143	1" Pack Joint for Copper or Plastic Tubing (CTS)*	3/4" Flare Copper	42.0
DG144-143	1" Pack Joint for Copper or Plastic Tubing (CTS)*	3/4" Pack Joint for Copper or Plastic Tubing (CTS)*	42.0
DG148-143	1" Pack Joint for Copper or Plastic Tubing (CTS)*	3/4" Male Iron Pipe	42.0

## ANGLE INLET - STRAIGHT OUTLET

CATALOG NUMBER	DESCRIPTION		APPROX. WT. LBS.
	INLET	OUTLET	
DG212-143	1" Female Iron Pipe	3/4" Flare Copper	42.0
DG214-143	1" Female Iron Pipe	3/4" Pack Joint for Copper or Plastic Tubing (CTS)*	42.0
DG218-143	1" Female Iron Pipe	3/4" Male Iron Pipe	42.0
DG222-143	1" Flare Copper	3/4" Flare Copper	42.0
DG224-143	1" Flare Copper	3/4" Pack Joint for Copper or Plastic Tubing (CTS)*	42.0
DG228-143	1" Flare Copper	3/4" Male Iron Pipe	42.0
DG242-143	1" Pack Joint for Copper or Plastic Tubing (CTS)*	3/4" Flare Copper	42.0
DG244-143	1" Pack Joint for Copper or Plastic Tubing (CTS)*	3/4" Pack Joint for Copper or Plastic Tubing (CTS)*	42.0
DG248-143	1" Pack Joint for Copper or Plastic Tubing (CTS)*	3/4" Male Iron Pipe	42.0

## Options Available

\**Grip Joint* for CTS is available. Add "-G" to the catalog number.

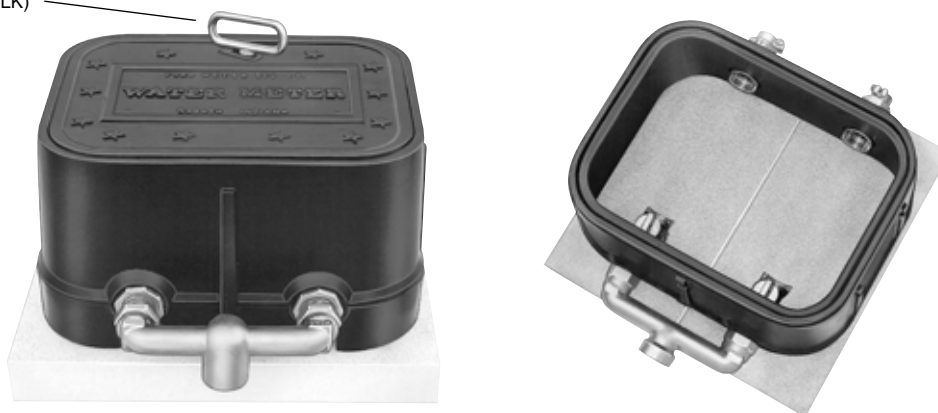
**Lids** – Available with or without locks. Please specify your preference in ordering.

**Stainless Steel Bottom Plate** – A stainless steel bottom plate is available. Contact factory for details.

# Ford Double Gulfbox

For **5/8"x3/4" Low-Profile Meter**

Meter Box Lid Key (MBLK)  
sold separately



## STRAIGHT INLET - STRAIGHT OUTLET

CATALOG NUMBER	DESCRIPTION		APPROX. WT. LBS.
	INLET	BOTH OUTLET	
DG112-243	1" Female Iron Pipe	3/4" Flare Copper	42.0
DG114-243	1" Female Iron Pipe	3/4" Pack Joint for Copper or Plastic Tubing (CTS)*	42.0
DG118-243	1" Female Iron Pipe	3/4" Male Iron Pipe	42.0
DG122-243	1" Flare Copper	3/4" Flare Copper	42.0
DG124-243	1" Flare Copper	3/4" Pack Joint for Copper or Plastic Tubing (CTS)*	42.0
DG128-243	1" Flare Copper	3/4" Male Iron Pipe	42.0
DG142-243	1" Pack Joint for Copper or Plastic Tubing (CTS)*	3/4" Flare Copper	42.0
DG144-243	1" Pack Joint for Copper or Plastic Tubing (CTS)*	3/4" Pack Joint for Copper or Plastic Tubing (CTS)*	42.0
DG148-243	1" Pack Joint for Copper or Plastic Tubing (CTS)*	3/4" Male Iron Pipe	42.0

## ANGLE INLET - STRAIGHT OUTLET

CATALOG NUMBER	DESCRIPTION		APPROX. WT. LBS.
	INLET	BOTH OUTLET	
DG212-243	1" Female Iron Pipe	3/4" Flare Copper	42.0
DG214-243	1" Female Iron Pipe	3/4" Pack Joint for Copper or Plastic Tubing (CTS)*	42.0
DG218-243	1" Female Iron Pipe	3/4" Male Iron Pipe	42.0
DG222-243	1" Flare Copper	3/4" Flare Copper	42.0
DG224-243	1" Flare Copper	3/4" Pack Joint for Copper or Plastic Tubing (CTS)*	42.0
DG228-243	1" Flare Copper	3/4" Male Iron Pipe	42.0
DG242-243	1" Pack Joint for Copper or Plastic Tubing (CTS)*	3/4" Flare Copper	42.0
DG244-243	1" Pack Joint for Copper or Plastic Tubing (CTS)*	3/4" Pack Joint for Copper or Plastic Tubing (CTS)*	42.0
DG248-243	1" Pack Joint for Copper or Plastic Tubing (CTS)*	3/4" Male Iron Pipe	42.0

## PARTS AND ACCESSORIES FOR DOUBLE GULFBOXES

CATALOG NUMBER	DESCRIPTION	APPROX. WT. LBS.
DGBB	Iron Body, less lid	24.8
DGBL	Lid only for Double Gulfbox	8.9
DGBL-T	Electronic Meter Reading Lid only for Double Gulfbox (2" hole)	8.9
DBGL-TT	Electronic Meter Reading Lid only for Double Gulfbox (two 2" holes)	8.9
DGBLL	Lockless Lid only for Double Gulfbox	8.1
DGSSBP	Stainless Steel Base Plate for Double Gulfbox	2.8
MBLK	Yokebox Key Lid	0.5
MBVW	Yokebox Valve Wrench (18" long)	2.0

## Options Available

\***Grip Joint** for CTS is available. Add "-G" to the catalog number.

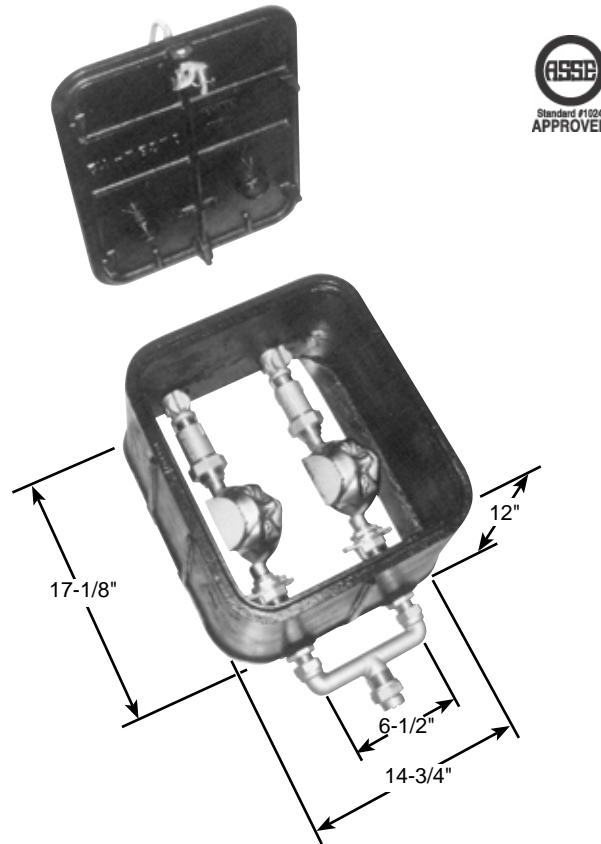
**Lids** – Available with or without locks. Please specify your preference in ordering.

**Stainless Steel Bottom Plate** – A stainless steel bottom plate is available. Contact factory for details.

# Ford Long Double Gulfbox

For 5/8" Meter

The Ford Long Double Gulfbox holds two 5/8" or 5/8"x3/4" meters side by side in one housing, along with the added benefit of an ASSE approved Ford Cartridge Dual Check Valve on the outlet of each meter. It is installed in the service line as a single unit. Branch Piece, Valves, and Expansion Connections are waterworks brass meeting AWWA Specification C800 and latest revisions. The valves are of the Ball type. The iron lid and body meet ASTM A48, Class 25 (25,000 PSI Tensile Strength). The body casting has drain notches. Anchor lugs prevent settling.



## STRAIGHT BALL VALVE INLET - STRAIGHT BALL VALVE OUTLET

CATALOG NUMBER	DESCRIPTION		APPROX. WT. LBS.
	INLET	BOTH OUTLET	
DGHC118-143	1" Female Iron Pipe	3/4" Male Iron Pipe	70.0
DGHC128-143	1" Flare Copper	3/4" Male Iron Pipe	70.0
DGHC148-143	1" Pack Joint for Copper or Plastic Tubing (CTS)*	3/4" Male Iron Pipe	70.0

## Options Available

\**Grip Joint* for CTS is available. Add "-G" to the catalog number.

Available with locking lid only.

# Ford Long Double Gulfbox

For 5/8"x3/4" Meter



## STRAIGHT BALL VALVE INLET - STRAIGHT BALL VALVE OUTLET

CATALOG NUMBER	DESCRIPTION		APPROX. Wt. Lbs.
	INLET	BOTH OUTLET	
DGHC118-243	1" Female Iron Pipe	3/4" Male Iron Pipe	70.0
DGHC128-243	1" Flare Copper	3/4" Male Iron Pipe	70.0
DGHC148-243	1" Pack Joint for Copper or Plastic Tubing (CTS)*	3/4" Male Iron Pipe	70.0

## VALVES AND PARTS FOR LONG DOUBLE GULFBOXES

CATALOG NUMBER	Description	APPROX. Wt. Lbs.
EC-1	Expansion Connection for 5/8" meter	0.7
EC-23	Expansion Connection for 5/8"x3/4" meter	0.9
DGHCB	Long Double Gulfbox Iron Body Casting	43.0
DGHCL	Locking Lid for Long Double Gulfbox	12.0
DGBV83-31	Ball Valve for 5/8" meter by 3/4" Male Iron Pipe thread	1.1
DGBV83-32	Ball Valve for 5/8"x3/4" meter by 3/4" Male Iron Pipe thread	1.1
GLN	Lock Nut only (Lock Nuts are included with valve and outlet)	-
GT-112	5/8" rubber gaskets for valve and outlet saddles	-
GT-32	5/8" beveled rubber gasket for EC-1 Expansion Connection	-
GT-33	3/4" beveled rubber gasket for EC-23 Expansion Connection	-
GT-210	5/8" barrel gasket for EC-1 Expansion Connection	-
GT-196	3/4" barrel gasket for EC-23 Expansion Connection	-
GT-118	5/8"x3/4" rubber gaskets for valve and outlet saddles	-
HHCI33-311-3-531PE	3/4" Cartridge Dual Check Valve for 5/8" meter	1.4
HHCI33-322-3-5-PE	3/4" Cartridge Dual Check Valve for 5/8"x3/4" meter	1.4

## OPTIONS AND ACCESSORIES FOR LONG DOUBLE GULFBOXES

CATALOG NUMBER	DESCRIPTION
TP	Removable Cast Iron Plug for Electronic Meter Reading Module Hole (with Cotter Pin)
Add "-TT" to Catalog Number	Electronic Meter Read Feature on Lid (two 2" holes) Example: DGHC128-243-TT
Add "-TTP" to Catalog Number	Electronic Meter Read Feature on Lid (two 2" holes), with removable plugs Example: DGHC128-243-TTP

\*Grip Joint for CTS is available. Add "-G" to the catalog number.

Available with locking lid only.