

# Specifications and Information

## Gulfboxes For 5/8" and 5/8"x3/4" Meters

Gulfboxes are complete, compact meter-setting packages, which are installed as a unit. The body and the lid of the boxes are made from durable cast iron, for decades of trouble-free service. The Gulfbox provides automatic spacing and alignment for the meter, which can be inserted at any time during or after the installation of the meter box. The inlet, outlet and Expansion Connection are waterworks brass meeting the latest revision of AWWA Standard C800. The Long Gulfbox Dual Cartridge Check Valves have ASSE 1024 approval.



Gulfboxes are ideal water meter housings for moderate and warm climates. They offer the following valuable features:

1. **Protection** for the meter – protection for pedestrians because of the small lid area.
2. **Rapid** meter reading.
3. **Quality** Ford service valves – accessible and easily operated – designed for years of trouble-free service.
4. **Quick**, easy, and wrench-free meter changing.
5. **Deterrent** to unauthorized water use when the meter is removed – see description of the Expansion Connection on page 7.
6. **The largest variety** of service line connections in the industry including an optional cartridge dual check valve.
7. **Economical** installation, requiring only minimal excavation.



### Gulfbox Features

**The Standard Gulfbox includes two iron castings:** A body casting and a locking lid.

**Three brass items complete the unit:** Inlet and Outlet pieces and an Expansion Connection.

**The Gulfbox is designed for meter settings** where shallow service lines are safe from freezing. Connections to the service line are 5-3/4" below the ground surface.

**The inlet and outlet connections are horizontal only.** (See the drawing on page 41.)

**A "Long" Style Gulfbox is available** to accommodate a Cartridge Style Dual Check Valve.

**The Gulfbox includes a specially adapted ball valve** for dependable service control.

**The Gulfbox can be set on a standard concrete slab** available locally at moderate cost.

**The Gulfbox is large enough to hold 5/8" or 5/8"x3/4" modern magnetic or multi-jet meters.**

**The Gulfbox is a complete meter setting for warm climates, offering unmatched economy.**

**Gulfbox Lid options are available as listed for the Yokebox.** See page C-5.

# Ford Gulfbox Features

The Gulfbox is designed to hold modern magnetic or multi-jet, 5/8" and 5/8"x3/4" meters. It is installed in the service line as a unit. The body casting and the lid are made of cast iron meeting ASTM A48 Class 25 (25,000 PSI Tensile Strength). All brass connections are waterworks brass meeting the latest revision of AWWA Standard C800.

The body casting is tapered, oval in shape, strong enough to support light traffic, and withstand service line strains. Its compact design makes it light to handle and easy to install with minimal excavation.

The Gulfbox comes equipped with straight inlet and outlet connections only. Connections to the service line are made at a point 5-3/4" below the surface.

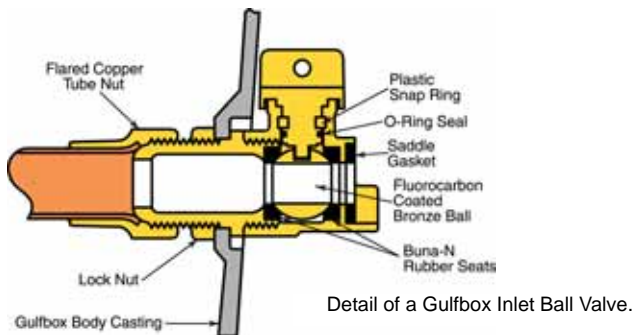
The Gulfbox can be set on a concrete block. This is a standard item, measuring about 8"x16", commonly available at low cost. Notches around the bottom of the body casting provide drainage. A special cast iron bottom plate is also available at extra cost.

The Expansion Connection provides for rapid and trouble-free meter changes and the Ball Valve provides quick and sure shut-offs. The Expansion Connection is removed with the meter, deterring unauthorized use of water. The Gulfbox provides automatic spacing and alignment for the meter, which can be inserted anytime during or after installation.

Gulfboxes include Ford Ball Valves, which are ideal for water service control. They are easy to turn, do not stick or bind, are water tight in both directions, and have minimum pressure loss. The valve is attached securely to the cast iron body of the Gulfbox and is convenient for operation.

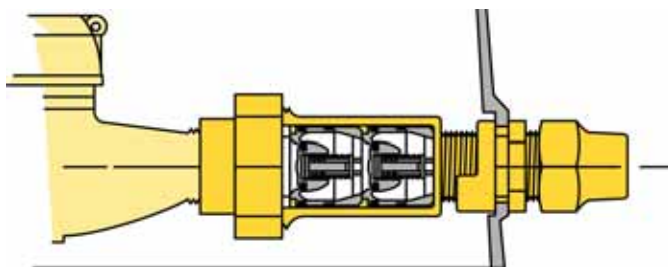
**The Gulfbox provides an economical meter setting in climates where shallow service lines are safe from freezing.**

## Design features of Valves used in Ford Gulfboxes



Detail of the specially adapted Ball Valve – standard equipment on all Ford Gulfbox inlets. The ball “floats” between EPDM rubber seats. Stem and tee head are one piece and are securely pinned to the body of the valve.

Ball Valve with Pack Joint inlet. Pack Joints (described in Section J) provide a simple, quick, permanent connection to copper or plastic tubing. Couplings for other types of service lines are also listed in Section J.



Detail of a Gulfbox Cartridge Dual Check Valve (Long Gulfbox only).

The Ford Cartridge Dual Check Valve, ASSE 1024 approved, is standard with the Long Gulfbox. The Ford design places the cartridge dual check valve inside the box. The “Long Gulfbox” design provides easy access to the cartridges for maintenance.



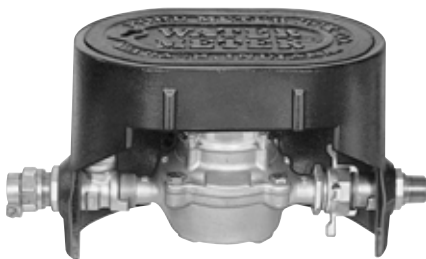
A variety of couplings are available including Grip Joints for copper or plastic tubing or PE pipe. Pack Joints for copper or plastic tubing, PVC and PE pipe are also available.

## Gulfbox Specifications

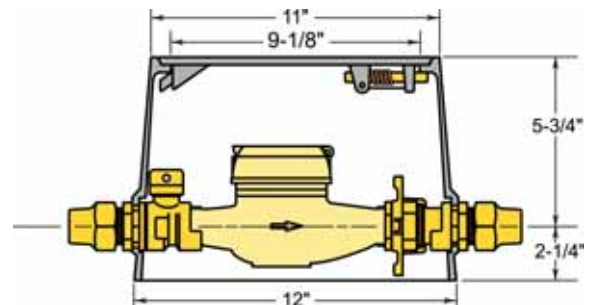
**The Gulfbox includes two iron castings:**

1. An upper body casting.
2. A locking lid. (Lockless lids are available upon request.)

The Gulfbox is designed for modern 5/8" and 5/8"x3/4" magnetic or multi-jet meters. The maximum permissible meter height above center line of meter is 5"; maximum depth below center line of meter is 2-1/4".



Gulfbox cut-away showing inlet Ball Valve and outlet connection, and Expansion Connection for easy removal of meter.



**A Straight Cartridge Dual Check Valve on the outlet of the meter is included with the Long Gulfbox.** Various types of connections for pipe and tubing are available for the inlet and outlet of the Gulfbox.

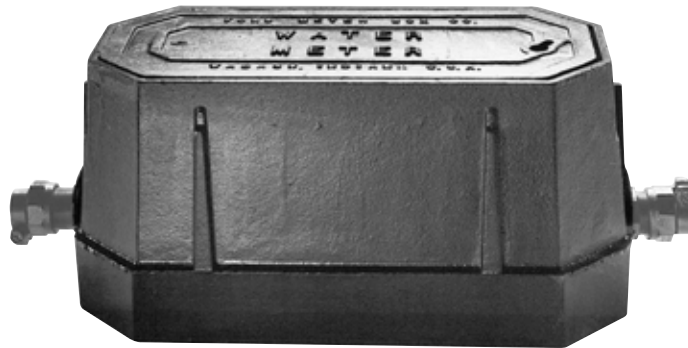
# Ford Gulfboxes

For 5/8" Meters



## Gulfboxes for 5/8" Meter

CATALOG NUMBER	DESCRIPTION		APPROX. Wt. LBS.
	INLET	OUTLET	
G122-111	1/2" Flare Copper	1/2" Flare Copper	28.0
G122-133	3/4" Flare Copper	3/4" Flare Copper	28.0
G128-133	3/4" Flare Copper	3/4" Male Iron Pipe Threads	28.0
G144-133	3/4" Pack Joint for Copper or Plastic Tubing (CTS)*	3/4" Pack Joint for Copper or Plastic Tubing (CTS)*	28.0
G148-133	3/4" Pack Joint for Copper or Plastic Tubing (CTS)*	3/4" Male Iron Pipe Threads	28.0
G188-133	3/4" Male Iron Pipe Threads	3/4" Male Iron Pipe Threads	28.0



## Long Gulfboxes for 5/8" Meter with Cartridge Style Dual Check Valve

CATALOG NUMBER	DESCRIPTION		APPROX. Wt. LBS.
	INLET	OUTLET	
GHC122-133	3/4" Flare Copper	3/4" Flare Copper	34.0
GHC144-133	3/4" Pack Joint for Copper or Plastic Tubing (CTS)*	3/4" Pack Joint for Copper or Plastic Tubing (CTS)*	34.0
GHC148-133	3/4" Pack Joint for Copper or Plastic Tubing (CTS)*	3/4" Male Iron Pipe Threads	34.0
GHC188-133	3/4" Male Iron Pipe Threads	3/4" Male Iron Pipe Threads	34.0

## Ordering Information

\**Grip Joint* for CTS is available. Add "-G" to the catalog number.

Special lettering on lids is available – contact factory for more information.

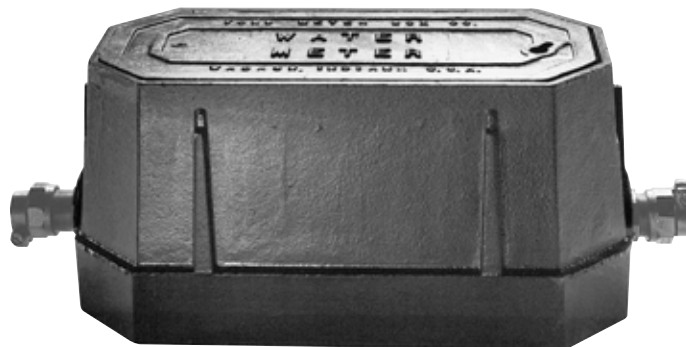
# Ford Gulfboxes

For 5/8"x3/4" Meters



**Gulfboxes for 5/8"x3/4" Meter**

CATALOG NUMBER	DESCRIPTION		APPROX. Wt. LBS.
	INLET	OUTLET	
<b>G122-211</b>	1/2" Flare Copper	1/2" Flare Copper	28.0
<b>G122-233</b>	3/4" Flare Copper	3/4" Flare Copper	28.0
<b>G128-233</b>	3/4" Flare Copper	3/4" Male Iron Pipe Threads	28.0
<b>G144-233</b>	3/4" Pack Joint for Copper or Plastic Tubing (CTS)*	3/4" Pack Joint for Copper or Plastic Tubing (CTS)*	28.0
<b>G148-233</b>	3/4" Pack Joint for Copper or Plastic Tubing (CTS)*	3/4" Male Iron Pipe Threads	28.0
<b>G188-233</b>	3/4" Male Iron Pipe Threads	3/4" Male Iron Pipe Threads	28.0



**Long Gulfboxes for 5/8"x3/4" Meter with Cartridge Style Dual Check Valve**

CATALOG NUMBER	DESCRIPTION		APPROX. Wt. LBS.
	INLET	OUTLET	
<b>GHC122-233</b>	3/4" Flare Copper	3/4" Flare Copper	34.0
<b>GHC144-233</b>	3/4" Pack Joint for Copper or Plastic Tubing (CTS)*	3/4" Pack Joint for Copper or Plastic Tubing (CTS)*	34.0
<b>GHC148-233</b>	3/4" Pack Joint for Copper or Plastic Tubing (CTS)*	3/4" Male Iron Pipe Threads	34.0
<b>GHC188-233</b>	3/4" Male Iron Pipe Threads	3/4" Male Iron Pipe Threads	34.0

## Ordering Information

\**Grip Joint* for CTS is available. Add "-G" to the catalog number.

Special lettering on lids is available – contact factory for more information.

# Ford Gulfboxes

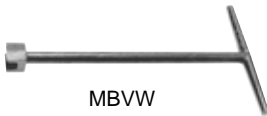
## Options, Accessories and Parts



LXI Products meet  
ANSI/NSF Standard 61  
see page 3

### OPTIONS AND ACCESSORIES FOR GULFBOXES

CATALOG NUMBER	DESCRIPTION
9501	Grade Adjuster (shown in catalog page 6) (wt. 8 lb.)
MBLK	Gulfbox Lid Key
MBUK	Meter Box Universal Key for Locking Lids, Lockless Lids and Meter Valves
MBVW	Gulfbox Valve Wrench (18" long)
TP	Removable Cast Iron Plug for Electronic Meter Reading Lid Hole (includes cotter pin)
Add "-G" to Catalog Number	<b>Grip Joint</b> for CTS and PEP (3/4" and 1"). Example: G144-233-G
Add "-RL" to Catalog Number	Meter Box Reading Lid (hinged cast iron flap), instead of standard lid. Example: G144-233-RL
Add "-RW" to Catalog Number	"Reclaimed Water" lettering on locking Yokebox Lid instead of Standard Lid. Example: G144-233-RW
Add "-RWC" to Catalog Number	"Reclaimed Water" lettering on PURPLE locking Yokebox Lid instead of Standard Lid. Example: G144-233-RWC
Add "-T" to Catalog Number	Electronic Meter Reading Feature on Lid (2" hole). Example: G144-233-T
Add "-TP" to Catalog Number	Electronic meter Reading Feature on Lid (2" hole), with removable plug. Example: G144-233-TP
Add "W" to Catalog Number	Padlock Wing on Gulfbox Inlet Valve. Example: G188-233W



MBVW



MBLK



MBUK



EC-23



GBBP

### GULFBOX PARTS

CATALOG NUMBER	DESCRIPTION
EC-1	Expansion Connection for 5/8" meter
EC-23	Expansion Connection for 5/8"x3/4" meter
GBBP	Gulfbox Base Plate
GBIB	Iron Body Casting
GBO23-11	Outlet for 5/8" meter with 1/2" flared copper connection
GBO23-31	Outlet for 5/8" meter with 3/4" flared copper connection
GBO23-32	Outlet for 5/8"x3/4" meter with 3/4" flared copper connection
GBO43-31	Outlet for 5/8" meter with Pack Joint connection for 3/4" Copper or Plastic Tube (CTS)*
GBO43-32	Outlet for 5/8"x3/4" meter with Pack Joint connection for 3/4" Copper or Plastic Tube (CTS)*
GBO83-31	Outlet for 5/8" meter with 3/4" Male Iron Pipe threads
GBO83-32	Outlet for 5/8"x3/4" meter with 3/4" Male Iron Pipe threads
GBV23-11	Ball Valve for 5/8" meter with inlet for 1/2" flared copper
GBV23-31	Ball Valve for 5/8" meter with inlet for 3/4" flared copper
GBV23-32	Ball Valve for 5/8"x3/4" meter with inlet for 3/4" flared copper
GBV43-31	Ball Valve for 5/8" meter with Pack Joint inlet for 3/4" Copper or Plastic Tube (CTS)*
GBV43-32	Ball Valve for 5/8"x3/4" meter with Pack Joint inlet for 3/4" Copper or Plastic Tube (CTS)*
GBV83-31	Ball Valve for 5/8" meter with 3/4" Male Iron Pipe thread inlet
GBV83-32	Ball Valve for 5/8"x3/4" meter with 3/4" Male Iron Pipe thread inlet
GLN	Lock Nut only (Lock Nuts are included with valves and outlets)
MBRL	Locking Meter Box Reading Lid (Hinged Cast Iron Flap) (wt. 5.1 lb.)
YLL	Locking Lid (wt. 4.7 lb.)
YLL	Lockless Lid (wt. 4.6 lb.)
YL-LUG	Locking Lid with Guide / Alignment lugs (wt. 4.9 lb.)
YL-RW	Locking Lid with "Reclaimed Water" lettering (wt. 4.7 lb.)
YL-RWC	Purple Locking Lid with "Reclaimed Water" lettering (wt. 4.7 lb.)
YL-T	Locking Electronic Meter Reading Lid with 2" hole (wt. 4.7 lb.)

Gulfbox Gaskets for Meters and Expansion Connections are listed on page 20.

### LONG GULFBOX PARTS

CATALOG NUMBER	DESCRIPTION
GHC-BP	Long Gulfbox Base Plate
GHC-IB	Long Gulfbox Iron Body Casting
GHC-L	Locking Lid for Long Gulfbox
GHC-LL	Lockless Lid for Long Gulfbox
GHCR-4	Long Gulfbox 4" Riser
GHCR-8	Long Gulfbox 8" Riser
GBOL23-31	Long Gulfbox Outlet for 5/8" meter with 3/4" flared copper connection
GBOL23-32	Long Gulfbox Outlet for 5/8"x3/4" meter with 3/4" flared copper connection
GBOL43-31	Long Gulfbox Outlet for 5/8" meter with P. J. connection for 3/4" Copper or Plastic Tube (CTS)*
GBOL43-32	Long Gulfbox Outlet for 5/8"x3/4" meter with P. J. connection for 3/4" Copper or Plastic Tube (CTS)*
GBOL83-31	Long Gulfbox Outlet for 5/8" meter with 3/4" Male Iron Pipe threads
GBOL83-32	Long Gulfbox Outlet for 5/8"x3/4" meter with 3/4" Male Iron Pipe threads
HHC133-311	3/4" Cartridge Dual Check for 5/8" meter
HHC133-322	3/4" Cartridge Dual Check for 5/8"x3/4" meter

\*Grip Joint for CTS is available. Add "-G" to the catalog number.

NOTE: Dual Cartridge Check Valve Repair Kits (cartridges, gaskets, etc.) are listed in Catalog Section I.