

The Ford Long Yokebox

The Ford Meter Box Company, the inventor of the Yokebox, is proud to introduce another addition to the Yokebox line of water meter setting equipment - the Long Yokebox. The Ford Long Yokebox is a complete, compact meter-setting package that fills your residential back-flow control requirements.

A lot has changed since the “good old days” when a utility’s responsibility for water quality ended at the outlet of the water meter. The federal Safe Drinking Water Act, and a host of state and local regulations, now defines you as responsible for delivery of quality water to the faucet inside your customer’s home or business. The entry of objectionable or hazardous material into the customer’s plumbing may expose your utility, and you personally, to expensive and time consuming legal action.

Until now, implementation of a backflow program for a utility using Yokeboxes was a challenge. Long Yokeboxes are complete, compact meter-setting packages, which are installed as a unit and include removable ASSE approved Cartridge Style Dual Check Valves contained completely within the box. The Long Yokebox provides automatic spacing and alignment for the meter and the Dual Cartridge Style Check Valve, which can be inserted at any time during

or after the installation of the meter box. The Ford Long Yokebox design offers the maximum convenience of operation; the check valve attaches directly to the meter. A few turns of the Expansion Connection will allow the meter and check valve to be removed or installed as one unit. This provides for fast and easy maintenance of the meter *and* the check valve.

The inlet, outlet, dual check valve and Expansion Connection are manufactured of waterworks brass meeting the latest revision of AWWA Standard C800. The Cartridge Dual Check Valves have ASSE 1024 approval. Ford is THE choice of Check Valves for Water Utilities. Ford offers Check Valves that have some of the lowest water pressure head loss figures in the industry.

Remember, only the Long Yokebox delivers Ford Meter Box quality, service and dependability.



Specifications and Information

Long Yokeboxes For 5/8" and 5/8"x3/4" Meters

Long Yokeboxes are ideal water meter housings for moderate and warm climates. They offer the following valuable features:

1. **Protection** for the meter – protection for pedestrians because of the small lid area.
2. **Backflow protection** – Dual Cartridge Check Valve with ASSE 1024 certification.
3. **Rapid** meter reading.
4. **Quality** Ford service valves – accessible and easily operated – designed for years of trouble-free service.
5. **Quick, easy, and wrench-free** meter changing.
6. **The largest variety** of service line connections in the industry.
7. **Economical** installation, requiring only minimal excavation.
8. **Security** – When the meter is removed from the Long Yokebox, the Expansion Connection and check valve are also removed. No ordinary pipe fittings will connect the ends, deterring unauthorized water use – see description of the Expansion Connection on page 28.

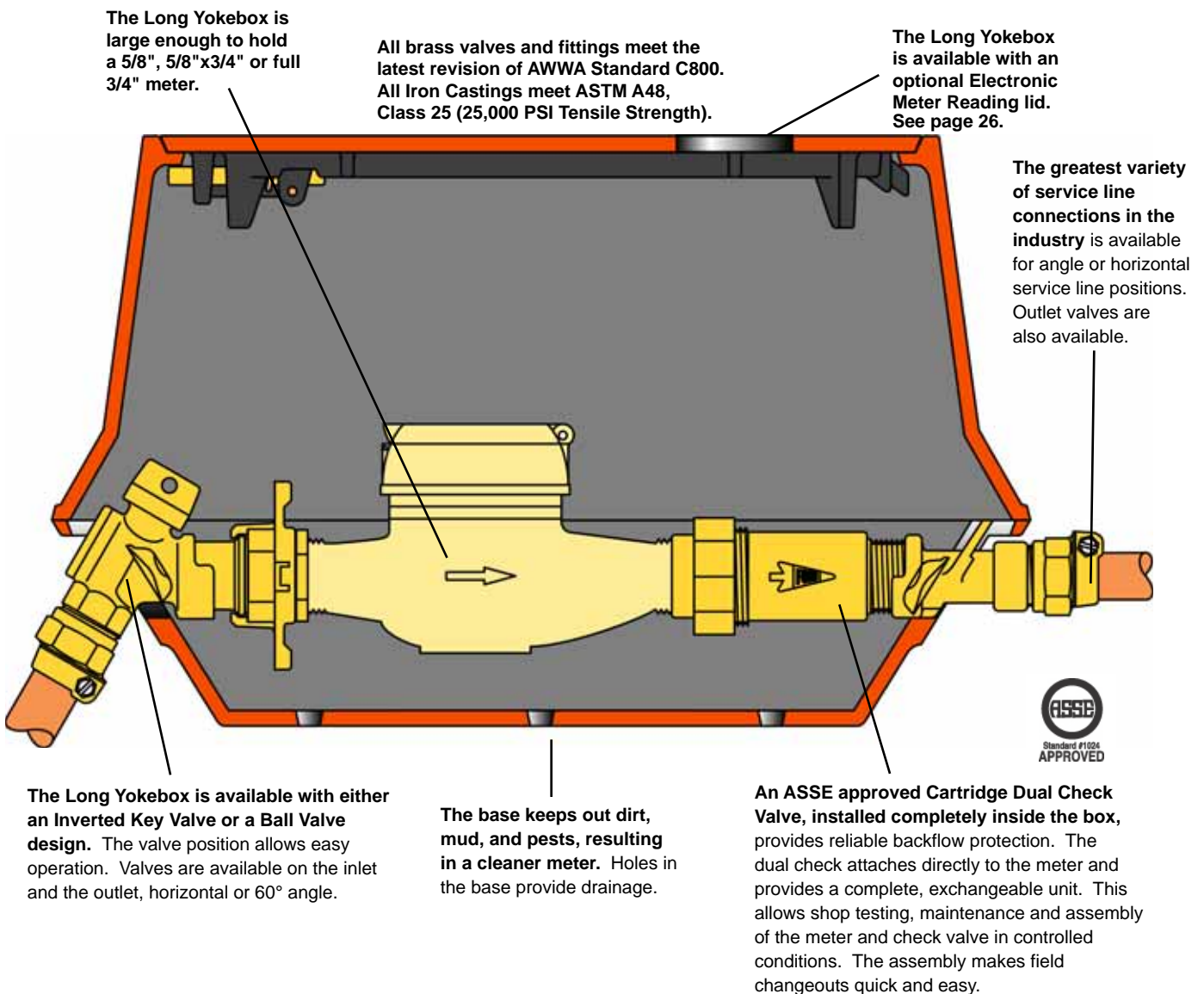
Long Yokebox Specifications and Features

The Standard Long Yokebox includes three iron castings:

1. A base. 2. An upper body casting. 3. A locking lid. (Lockless lids are available upon request.)

Four brass items complete the unit: Inlet and Outlet pieces, an Expansion Connection, and a Dual Check Valve.

Additional Long Yokebox Specifications and ordering information on pages 26 - 39.



Ford Long Yokebox Features and Options

Optional Plastic Upper Section



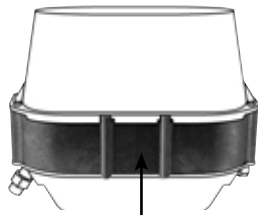
Available for LYL Long Yokeboxes, the LYPB Upper Section is made from high density polyethylene structural foam plastic. The LYPB Plastic Upper Section uses the same bolts as a standard iron upper section to connect to Long Yokebox base. Accepts both standard locking or optional lockless lids. Insert "P" into the catalog number. Example: LYLPB222-233.

Optional Grade Adjuster for Cast Iron Upper Section



The LYGA Grade Adjuster allows between 1" to 3-1/2" additional height to the grade level after the initial installation. The unit attaches to the top of the box with stainless steel set screws and accepts both Locking and Lockless Lids.

Optional Long Yokebox Risers



Long Yokebox riser

Long Yokebox Risers increase the height of Long Yokebox Upper Sections, three riser heights (not adjustable) are available. The LYIR-6 cast iron riser adds 6" to the overall height of the box, the LYIR-4 iron riser adds 4" to the height and the LYIR-2 adds 2". The LYPR-4 plastic riser is placed between the base and the upper section, and secures to the base and upper section with self-tapping screws. The cast iron risers fit over the top of the upper section and are secured with silicon bronze "J" bolts. These risers are particularly useful for grade changes in areas where installed boxes have had winter freeze-up problems.

Lids for Ford Meter Boxes



All Ford Boxes offer the choice of a standard Locking Lid or an optional Lockless Lid.

The tamper-proof lock is shown from the underside of the lid. It is operated with a special "double-action" key. As the key retracts the spring-loaded lock pin, it attaches to the lid and becomes a lifter handle. The optional Lockless Lid has a bar pick-up for easy removal with a screwdriver or a similar tool such as the Meter Box Universal Key, model MBUK.

Ford Electronic Meter Reading Lid option



Ford lids are available with precast holes for electronic meter reading modules. This option is designated with a "-T" for a single hole cover and a "-NPR" for a Pit Pro Read single hole cover. Example: LYLB222-233-T. See the table below for hole size information.

Ford Electronic Meter Reading Lid with Removable Plug



An optional cast iron plug, removable for future electronic meter reading module installations, is available for all Ford Yokebox Lids. This option is designated with a "-TP" for a single hole cover. Example: LYLB222-233-TP. See the table below for hole size information.

Ford Cover and Lid Options for Electronic Meter Read Modules

MANUFACTURER	TRADE NAME	HOLE SIZE	*MODULE HEIGHT AND (DIAMETER)	FORD CATALOG NUMBER OPTION CODE	
				SINGLE HOLE	HOLE WITH PLUG
ABB/Kent Meters, Inc.	Scan Coder	2"	2-1/2" (1-7/16")	-T	-TP
Badger Meter, Inc.	Dialog®	2"	3-1/3" (1-3/4")	-T	-TP
Badger Meter, Inc.	Trace®	2"	4-9/10" (1-3/4" to 3-3/5")	-T	-TP
Neptune (Schlumberger)	Pit Pro Read	2"	4-3/8" (1-3/4" to 2-5/8")	-T	-TP
Neptune (Schlumberger)	Maxi Pit Pro Read	**	***	-NPR	-
Invensys (Sensus)	TouchRead	2"	4-3/4" (1-3/4" to 2-3/4")	-T	-TP

* These measurements approximate the module space requirements inside the meter box. Height measurement is from top of lid to bottom of module. Lid thickness determines the exact module extension into the meter box.

** Two 5/16" mounting holes with an additional hole for the wire.

*** Height is adjustable, depending on bolt length.

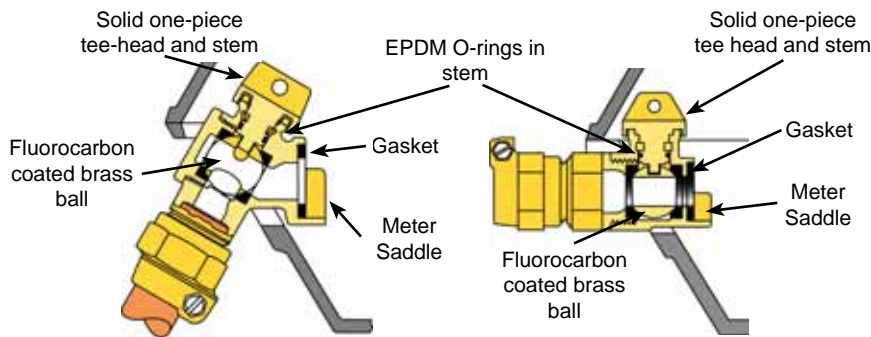
Ford Long Yokebox Valve Features and Options

The Ball Valve and Key Valve connections feature straight or angle configurations and are available for the box inlet and outlet. Various types of connections for pipe and tubing are available.

The Ball Valve features a solid one piece tee-head and stem. An EPDM O-ring on the stem ensures a watertight seal at the top. Molded EPDM rubber seats support the ball. The fluorocarbon coated brass ball will provide years of maintenance free service. Angle valves are 60° from horizontal.

The Key Valve features an inverted key held securely in place under spring tension by two silicon bronze bent washers. An EPDM O-ring provides additional leakage protection. Angle valves are 60° from horizontal.

Design Features of Ball Valves used in Ford Yokeboxes

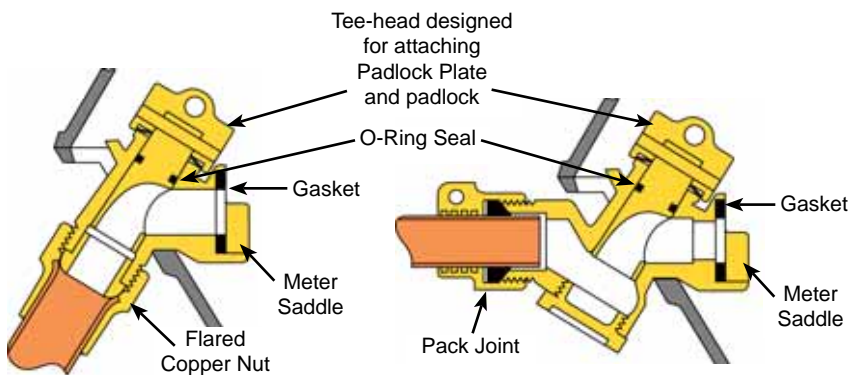


Details of Angle and Straight Long Yokebox Ball Valves

The inlet Ball Valve features a solid one piece tee-head and stem. An EPDM O-ring in the stem assures a watertight seal at the top. Molded EPDM rubber seats support the ball. The fluorocarbon coated brass ball will provide years of maintenance free service.

A variety of inlet and outlet couplings are available, including Grip Joints for copper or plastic tubing as well as Pack Joints for copper or plastic tubing, PVC and PE pipe, or I.P.

Design Features of Key Valves used in Ford Yokeboxes



Details of Angle and Straight Long Yokebox Key Valve.

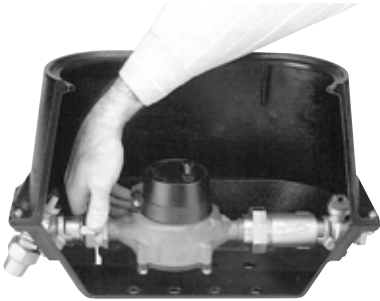
The Inverted Key Valve holds the key securely in place under spring tension by two silicon bronze spring washers. An O-ring provides additional leakage protection. Angle Valves are 60° from horizontal.

A variety of service line connections are available; namely Grip Joints for copper or plastic tubing or PE pipe, Pack Joints for copper or plastic tubing, PVC and PE pipe, and Double Purpose Couplings (union swivel for iron pipe or flared copper).

Ford Long Yokebox Valve Features and Options

Continued

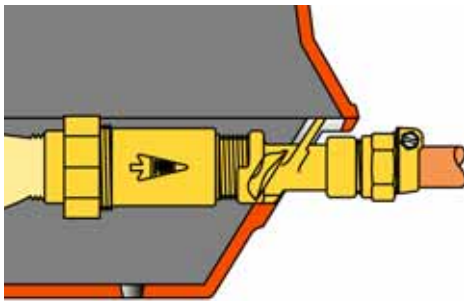
The inlet, outlet, Cartridge Dual Check Valve and Expansion Connection are made from waterworks brass meeting the latest revisions of AWWA Standard C800. The Cartridge Style Dual Check Valve is certified under ASSE 1024.



The Expansion Connection

Every Meter Box includes the Expansion Connection, pioneered by Ford. It eliminates wrenches in the meter box during meter changeouts, permitting Ford Boxes to be smaller than ordinary concrete or plastic boxes.

Cartridge Style Dual Check Valve - ASSE 1024 Approved



Detail of a Yokebox Cartridge Style Dual Check Valve.

Long Yokeboxes feature a Ford Cartridge Style Dual Check Valve. The Ford design places the Cartridge Dual Check Valve inside the box. The Expansion Connection, water meter and Dual Check Valve make up a single, removable assembly. This allows shop testing, maintenance and assembly of the meter and check valve in controlled conditions. The meter and check valve assembly provide quick and easy field change-outs.

The Long Yokebox is available with an optional spacer in place of the Cartridge Dual Check Valve. This option is ideal for anticipated backflow requirements. To implement a backflow protection program, simply replace the spacer with the proper Cartridge Dual Check Valve. To order the spacer option in place of the Cartridge Dual Check Valve, add "-SP" to the end of the catalog number.

Long Yokebox Dimensions

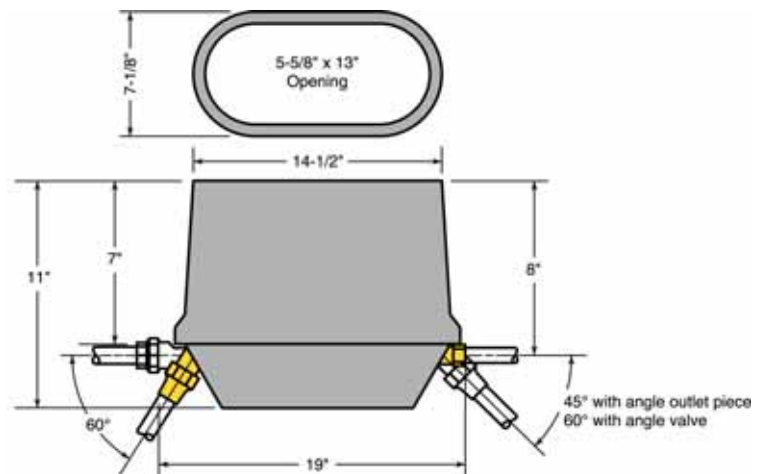
The Standard Long Yokebox includes three iron castings:

1. A base.
2. An upper body casting.
3. A locking lid. (Lockless lids are optional)

Straight or Angle Inverted Key Valves and Ball Valves are available for the Long Yokebox inlet and outlet. All angle valves are 60° from horizontal, angle outlet pieces are 45° from horizontal. Various types of connections for pipe and tubing are available.



The base keeps out dirt, mud, and pests, resulting in a cleaner meter. Holes in the base provide drainage.



Ford Long Yokeboxes for 5/8" Meters

Center Line of Meter 8" Below Grade

Straight Inlet - Straight Outlet



STRAIGHT BALL VALVE INLET - STRAIGHT OUTLET

CATALOG NUMBER	DESCRIPTION		APPROX. WT. LBS.
	INLET	OUTLET	
LYLB111-133	3/4" Female Iron Pipe Threads	3/4" Female Iron Pipe Threads	47.0
LYLB122-133	3/4" Flare Copper	3/4" Flare Copper	47.0
LYLB141-133	3/4" Pack Joint for Copper or Plastic Tubing (CTS)*	3/4" Female Iron Pipe Threads	47.0
LYLB144-133	3/4" Pack Joint for Copper or Plastic Tubing (CTS)*	3/4" Pack Joint for Copper or Plastic Tubing (CTS)*	47.0

STRAIGHT BALL VALVE INLET - STRAIGHT BALL VALVE OUTLET

CATALOG NUMBER	DESCRIPTION		APPROX. WT. LBS.
	INLET	OUTLET	
LYLBB111-133	3/4" Female Iron Pipe Threads	3/4" Female Iron Pipe Threads	48.0
LYLBB122-133	3/4" Flare Copper	3/4" Flare Copper	48.0
LYLBB141-133	3/4" Pack Joint for Copper or Plastic Tubing (CTS)*	3/4" Female Iron Pipe Threads	48.0
LYLBB144-133	3/4" Pack Joint for Copper or Plastic Tubing (CTS)*	3/4" Pack Joint for Copper or Plastic Tubing (CTS)*	48.0

STRAIGHT KEY VALVE INLET - STRAIGHT OUTLET

CATALOG NUMBER	DESCRIPTION		APPROX. WT. LBS.
	INLET	OUTLET	
LYLV111-133	3/4" Double Purpose**	3/4" Female Iron Pipe Threads	47.0
LYLV122-133	3/4" Flare Copper	3/4" Flare Copper	47.0
LYLV141-133	3/4" Pack Joint for Copper or Plastic Tubing (CTS)*	3/4" Female Iron Pipe Threads	47.0
LYLV144-133	3/4" Pack Joint for Copper or Plastic Tubing (CTS)*	3/4" Pack Joint for Copper or Plastic Tubing (CTS)*	47.0

STRAIGHT KEY VALVE INLET - STRAIGHT KEY VALVE OUTLET

CATALOG NUMBER	DESCRIPTION		APPROX. WT. LBS.
	INLET	OUTLET	
LYLVV111-133	3/4" Double Purpose**	3/4" Double Purpose**	48.0
LYLVV122-133	3/4" Flare Copper	3/4" Flare Copper	48.0
LYLVV141-133	3/4" Pack Joint for Copper or Plastic Tubing (CTS)*	3/4" Double Purpose**	48.0
LYLVV144-133	3/4" Pack Joint for Copper or Plastic Tubing (CTS)*	3/4" Pack Joint for Copper or Plastic Tubing (CTS)*	48.0

All Ford Long Yokeboxes are standard with an ASSE approved Cartridge Style Dual Check Valve contained completely within the box.



Ordering Information

* **Grip Joint** for CTS is available. Add "-G" to the catalog number.

* **The Double Purpose Coupling** connects to either 3/4" threaded iron pipe or 3/4" flared copper tubing.

Gaskets are furnished – Flat gaskets for valve and outlet saddles; beveled and flat gaskets for Expansion Connections.

Plastic Upper Section (7" high) for all LYL Long Yokeboxes. See page 26. Deduct 17 lbs. from approximate shipping weight, and insert the letter "P" into the catalog number. **Example:** LYLVP111-133.

Ford Long Yokeboxes for 5/8" Meters

Center Line of Meter 8" Below Grade

Angle Inlet - Straight Outlet



ANGLE BALL VALVE INLET - STRAIGHT OUTLET

CATALOG NUMBER	DESCRIPTION		APPROX. WT. LBS.
	INLET	OUTLET	
LYLB241-133	3/4" Pack Joint for Copper or Plastic Tubing (CTS)*	3/4" Female Iron Pipe Threads	47.0

ANGLE KEY VALVE INLET - STRAIGHT OUTLET

CATALOG NUMBER	DESCRIPTION		APPROX. WT. LBS.
	INLET	OUTLET	
LYLV222-133	3/4" Flare Copper	3/4" Flare Copper	47.0
LYLV241-133	3/4" Pack Joint for Copper or Plastic Tubing (CTS)*	3/4" Female Iron Pipe Threads	47.0
LYLV244-133	3/4" Pack Joint for Copper or Plastic Tubing (CTS)*	3/4" Pack Joint for Copper or Plastic Tubing (CTS)*	47.0

ANGLE KEY VALVE INLET - STRAIGHT KEY VALVE OUTLET

CATALOG NUMBER	DESCRIPTION		APPROX. WT. LBS.
	INLET	OUTLET	
LYLVV222-133	3/4" Flare Copper	3/4" Flare Copper	48.0
LYLVV241-133	3/4" Pack Joint for Copper or Plastic Tubing (CTS)*	3/4" Double Purpose**	48.0
LYLVV244-133	3/4" Pack Joint for Copper or Plastic Tubing (CTS)*	3/4" Pack Joint for Copper or Plastic Tubing (CTS)*	48.0

All Ford Long Yokeboxes are standard with an ASSE approved Cartridge Style Dual Check Valve contained completely within the box.



Ordering Information

***Grip Joint** for CTS is available. Add "-G" to the catalog number.

****The Double Purpose Coupling** connects to either 3/4" threaded iron pipe or 3/4" flared copper tubing.

Gaskets are furnished – Flat gaskets for valve and outlet saddles; beveled and flat gaskets for Expansion Connections.

Plastic Upper Section (7" high) for all LYL Long Yokeboxes. See page 26. Deduct 17 lbs. from approximate shipping weight, and insert the letter "P" into the catalog number. **Example:** LYLV222-133-P.

Ford Long Yokeboxes have a Locking Lid as standard. An optional Lockless Lid is available by adding "-LL" to the catalog number. **Example:** LYLV222-133-LL.

Ford Long Yokeboxes for 5/8" Meters

Center Line of Meter 8" Below Grade

Angle Inlet - Angle Outlet



ANGLE KEY VALVE INLET - ANGLE OUTLET

CATALOG NUMBER	DESCRIPTION		APPROX. WT. LBS.
	INLET	OUTLET	
LYLV322-133	3/4" Flare Copper	3/4" Flare Copper	47.0
LYLV344-133	3/4" Pack Joint for Copper or Plastic Tubing (CTS)*	3/4" Pack Joint for Copper or Plastic Tubing (CTS)*	47.0

ANGLE KEY VALVE INLET - ANGLE KEY VALVE OUTLET

CATALOG NUMBER	DESCRIPTION		APPROX. WT. LBS.
	INLET	OUTLET	
LYLVV322-133	3/4" Flare Copper	3/4" Flare Copper	48.0
LYLVV344-133	3/4" Pack Joint for Copper or Plastic Tubing (CTS)*	3/4" Pack Joint for Copper or Plastic Tubing (CTS)*	48.0

All Ford Long Yokeboxes are standard with an ASSE approved Cartridge Style Dual Check Valve contained completely within the box.



Ordering Information

***Grip Joint** for CTS is available. Add "-G" to the catalog number.

Gaskets are furnished – Flat gaskets for valve and outlet saddles; beveled and flat gaskets for Expansion Connections.

Plastic Upper Section (7" high) for all LYL Long Yokeboxes. See page 26. Deduct 17 lbs. from approximate shipping weight, and insert the letter "P" into the catalog number. **Example:** LYLV322-133.

Ford Long Yokeboxes have a Locking Lid as standard. An optional Lockless Lid is available by adding "-LL" to the catalog number. **Example:** LYLV322-133-LL.

Ford Long Yokeboxes for 5/8"x3/4" Meters

Center Line of Meter 8" Below Grade

Straight Inlet - Straight Outlet



STRAIGHT BALL VALVE INLET - STRAIGHT OUTLET

CATALOG NUMBER	DESCRIPTION		APPROX. Wt. LBS.
	INLET	OUTLET	
LYLB111-233	3/4" Female Iron Pipe Threads	3/4" Female Iron Pipe Threads	47.0
LYLB122-233	3/4" Flare Copper	3/4" Flare Copper	47.0
LYLB141-233	3/4" Pack Joint for Copper or Plastic Tubing (CTS)*	3/4" Female Iron Pipe Threads	47.0
LYLB144-233	3/4" Pack Joint for Copper or Plastic Tubing (CTS)*	3/4" Pack Joint for Copper or Plastic Tubing (CTS)*	47.0

STRAIGHT BALL VALVE INLET - STRAIGHT BALL VALVE OUTLET

CATALOG NUMBER	DESCRIPTION		APPROX. Wt. LBS.
	INLET	OUTLET	
LYLBB111-233	3/4" Female Iron Pipe Threads	3/4" Female Iron Pipe Threads	48.0
LYLBB122-233	3/4" Flare Copper	3/4" Flare Copper	48.0
LYLBB141-233	3/4" Pack Joint for Copper or Plastic Tubing (CTS)*	3/4" Female Iron Pipe Threads	48.0
LYLBB144-233	3/4" Pack Joint for Copper or Plastic Tubing (CTS)*	3/4" Pack Joint for Copper or Plastic Tubing (CTS)*	48.0

STRAIGHT KEY VALVE INLET - STRAIGHT OUTLET

CATALOG NUMBER	DESCRIPTION		APPROX. Wt. LBS.
	INLET	OUTLET	
LYLV111-233	3/4" Double Purpose**	3/4" Female Iron Pipe Threads	47.0
LYLV122-233	3/4" Flare Copper	3/4" Flare Copper	47.0
LYLV141-233	3/4" Pack Joint for Copper or Plastic Tubing (CTS)*	3/4" Female Iron Pipe Threads	47.0
LYLV141-243	1" Pack Joint for Copper or Plastic Tubing (CTS)*	3/4" Female Iron Pipe Threads	47.0
LYLV144-233	3/4" Pack Joint for Copper or Plastic Tubing (CTS)*	3/4" Pack Joint for Copper or Plastic Tubing (CTS)*	47.0
LYLV161-233	3/4" Pack Joint for PE Pipe*	3/4" Female Iron Pipe Threads	47.0
LYLV171-233	3/4" Pack Joint for PVC Pipe	3/4" Female Iron Pipe Threads	47.0

STRAIGHT KEY VALVE INLET - STRAIGHT KEY VALVE OUTLET

CATALOG NUMBER	DESCRIPTION		APPROX. Wt. LBS.
	INLET	OUTLET	
LYLVV111-233	3/4" Double Purpose**	3/4" Double Purpose**	48.0
LYLVV122-233	3/4" Flare Copper	3/4" Flare Copper	48.0
LYLVV141-233	3/4" Pack Joint for Copper or Plastic Tubing (CTS)*	3/4" Double Purpose**	48.0
LYLVV144-233	3/4" Pack Joint for Copper or Plastic Tubing (CTS)*	3/4" Pack Joint for Copper or Plastic Tubing (CTS)*	48.0

Ordering Information

* *Grip Joint* for CTS and PE Pipe is available. Add "-G" to the catalog number.

* **The Double Purpose Coupling** connects to either 3/4" threaded iron pipe or 3/4" flared copper tubing.

Gaskets are furnished – Flat gaskets for valve and outlet saddles; beveled and flat gaskets for Expansion Connections.

Plastic Upper Section (7" high) for all LYL Long Yokeboxes. See page 26. Deduct 17 lbs. from approximate shipping weight, and insert the letter "P" into the catalog number. **Example:** LYLVP111-233.

Ford Long Yokeboxes for 5/8" x 3/4" Meters

Center Line of Meter 8" Below Grade

Angle Inlet - Straight Outlet



ANGLE BALL VALVE INLET - STRAIGHT OUTLET

CATALOG NUMBER	DESCRIPTION		APPROX. WT. LBS.
	INLET	OUTLET	
LYLB222-233	3/4" Flare Copper	3/4" Flare Copper	47.0
LYLB241-233	3/4" Pack Joint for Copper or Plastic Tubing (CTS)*	3/4" Female Iron Pipe Threads	47.0
LYLB241-243	1" Pack Joint for Copper or Plastic Tubing (CTS)*	3/4" Female Iron Pipe Threads	47.0
LYLB244-233	3/4" Pack Joint for Copper or Plastic Tubing (CTS)*	3/4" Pack Joint for Copper or Plastic Tubing (CTS)*	47.0
LYLB261-233	3/4" Pack Joint for PE Pipe*	3/4" Female Iron Pipe Threads	47.0
LYLB266-233	3/4" Pack Joint for PE Pipe*	3/4" Pack Joint for PE Pipe*	47.0

ANGLE BALL VALVE INLET - STRAIGHT BALL VALVE OUTLET

CATALOG NUMBER	DESCRIPTION		APPROX. WT. LBS.
	INLET	OUTLET	
LYLBB222-233	3/4" Flare Copper	3/4" Flare Copper	47.0
LYLBB241-233	3/4" Pack Joint for Copper or Plastic Tubing (CTS)*	3/4" Female Iron Pipe Threads	47.0
LYLBB241-243	1" Pack Joint for Copper or Plastic Tubing (CTS)*	3/4" Female Iron Pipe Threads	47.0
LYLBB244-233	3/4" Pack Joint for Copper or Plastic Tubing (CTS)*	3/4" Pack Joint for Copper or Plastic Tubing (CTS)*	47.0
LYLBB261-233	3/4" Pack Joint for PE Pipe*	3/4" Female Iron Pipe Threads	47.0

ANGLE KEY VALVE INLET - STRAIGHT OUTLET

CATALOG NUMBER	DESCRIPTION		APPROX. WT. LBS.
	INLET	OUTLET	
LYLV221-233	3/4" Flare Copper	3/4" Female Iron Pipe Threads	47.0
LYLV222-233	3/4" Flare Copper	3/4" Flare Copper	47.0
LYLV241-233	3/4" Pack Joint for Copper or Plastic Tubing (CTS)*	3/4" Female Iron Pipe Threads	47.0
LYLV241-243	1" Pack Joint for Copper or Plastic Tubing (CTS)*	3/4" Female Iron Pipe Threads	47.0
LYLV244-233	3/4" Pack Joint for Copper or Plastic Tubing (CTS)*	3/4" Pack Joint for Copper or Plastic Tubing (CTS)*	47.0
LYLV261-233	3/4" Pack Joint for PE Pipe*	3/4" Female Iron Pipe Threads	47.0

ANGLE KEY VALVE INLET - STRAIGHT KEY VALVE OUTLET

CATALOG NUMBER	DESCRIPTION		APPROX. WT. LBS.
	INLET	OUTLET	
LYLVV221-233	3/4" Flare Copper	3/4" Double Purpose**	48.0
LYLVV222-233	3/4" Flare Copper	3/4" Flare Copper	48.0
LYLVV241-233	3/4" Pack Joint for Copper or Plastic Tubing (CTS)*	3/4" Double Purpose**	48.0
LYLVV244-233	3/4" Pack Joint for Copper or Plastic Tubing (CTS)*	3/4" Pack Joint for Copper or Plastic Tubing (CTS)*	48.0
LYLVV261-233	3/4" Pack Joint for PE Pipe*	3/4" Double Purpose**	48.0
LYLVV266-233	3/4" Pack Joint for PE Pipe*	3/4" Pack Joint for PE Pipe*	48.0

Ordering Information

***Grip Joint** for CTS and PE Pipe is available. Add "-G" to the catalog number.

****The Double Purpose Coupling** connects to either 3/4" threaded iron pipe or 3/4" flared copper tubing.

Gaskets are furnished – Flat gaskets for valve and outlet saddles; beveled and flat gaskets for Expansion Connections.

Plastic Upper Section (7" high) for all LYL Long Yokeboxes. See page 26. Deduct 17 lbs. from approximate shipping weight, and insert the letter "P" into the catalog number. **Example:** LYLVP222-233.

Ford Long Yokeboxes for 5/8"x3/4" Meters

Center Line of Meter 8" Below Grade

Angle Inlet - Angle Outlet



ANGLE BALL VALVE INLET - ANGLE BALL VALVE OUTLET

CATALOG NUMBER	DESCRIPTION		APPROX. WT. LBS.
	INLET	OUTLET	
LYLBB322-233	3/4" Flare Copper	3/4" Flare Copper	48.0
LYLBB344-233	3/4" Pack Joint for Copper or Plastic Tubing (CTS)*	3/4" Pack Joint for Copper or Plastic Tubing (CTS)*	48.0
LYLBB344-243	1" Pack Joint for Copper or Plastic Tubing (CTS)*	3/4" Pack Joint for Copper or Plastic Tubing (CTS)*	48.0
LYLBB344-244	1" Pack Joint for Copper or Plastic Tubing (CTS)*	1" Pack Joint for Copper or Plastic Tubing (CTS)*	48.0
LYLBB366-233	3/4" Pack Joint for PE Pipe*	3/4" Pack Joint for PE Pipe*	48.0

ANGLE KEY VALVE INLET - ANGLE OUTLET

CATALOG NUMBER	DESCRIPTION		APPROX. WT. LBS.
	INLET	OUTLET	
LYLV322-233	3/4" Flare Copper	3/4" Flare Copper	48.0
LYLV344-233	3/4" Pack Joint for Copper or Plastic Tubing (CTS)*	3/4" Pack Joint for Copper or Plastic Tubing (CTS)*	48.0
LYLV344-243	1" Pack Joint for Copper or Plastic Tubing (CTS)*	3/4" Pack Joint for Copper or Plastic Tubing (CTS)*	48.0

ANGLE KEY VALVE INLET - ANGLE KEY VALVE OUTLET

CATALOG NUMBER	DESCRIPTION		APPROX. WT. LBS.
	INLET	OUTLET	
LYLVV322-233	3/4" Flare Copper	3/4" Flare Copper	48.0
LYLVV344-233	3/4" Pack Joint for Copper or Plastic Tubing (CTS)*	3/4" Pack Joint for Copper or Plastic Tubing (CTS)*	48.0
LYLVV366-233	3/4" Pack Joint for PE Pipe*	3/4" Pack Joint for PE Pipe*	48.0

All Ford Long Yokeboxes are standard with an ASSE approved Cartridge Style Dual Check Valve contained completely within the box.



Ordering Information

*Grip Joint for CTS and PE Pipe is available. Add "-G" to the catalog number.

Gaskets are furnished – Flat gaskets for valve and outlet saddles; beveled and flat gaskets for Expansion Connections.

Plastic Upper Section (7" high) for all LYL Long Yokeboxes. See page 26. Deduct 17 lbs. from approximate shipping weight, and insert the letter "P" into the catalog number. Example: LYLVP322-233.

Ford Long Yokeboxes have a Locking Lid as standard. An optional Lockless Lid is available by adding "-LL" to the catalog number. Example: LYLVV322-233-LL.

Ford Long Yokeboxes for Full 3/4" Meters

Center Line of Meter 8" Below Grade

Angle Inlet - Straight Outlet



ANGLE KEY VALVE INLET - STRAIGHT OUTLET

CATALOG NUMBER	DESCRIPTION		APPROX. WT. LBS.
	INLET	OUTLET	
LYLV221-344	1" Flare Copper	1" Female Iron Pipe Threads	-
LYLV224-344	1" Flare Copper	1" Pack Joint for Copper or Plastic Tubing (CTS)*	-
LYLV241-344	1" Pack Joint for Copper or Plastic Tubing (CTS)*	1" Female Iron Pipe Threads	-
LYLV244-344	1" Pack Joint for Copper or Plastic Tubing (CTS)*	1" Pack Joint for Copper or Plastic Tubing (CTS)*	-

All Ford Long Yokeboxes are standard with an ASSE approved Cartridge Style Dual Check Valve contained completely within the box.



Ordering Information

***Grip Joint** for CTS and PE Pipe is available. Add "-G" to the catalog number.

Gaskets are furnished – Flat gaskets for valve and outlet saddles; beveled and flat gaskets for Expansion Connections.

Plastic Upper Section (7" high) for all LYL Long Yokeboxes. See page 26. Deduct 17 lbs. from approximate shipping weight, and insert the letter "P" into the catalog number. **Example:** LYLVP244-344.

Ford Long Yokeboxes have a Locking Lid as standard. An optional Lockless Lid is available by adding "-LL" to the catalog number. Example: LYLVP244-344-LL.

Ford Long Yokebox Options and Accessories

For 5/8", 5/8"x3/4" and 3/4" Long Yokeboxes



LXI Products meet
ANSI/NSF Standard 61
see page 3

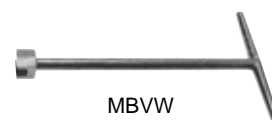
OPTIONS AND ACCESSORIES FOR LONG YOKEBOXES



LYPR-4



SAVV



MBVW



9503



MBLK



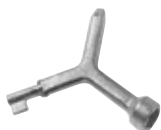
MBUK



YEW-3



EC-23



9508

CATALOG NUMBER	DESCRIPTION
9503	Padlock Plate for Key Valve, Angle or Straight
9505	Combination Yokebox/Dallas Lid Key
9508	Combination Yokebox-Pentagon Bolt Key
FLYB-AVLP	Padlock Plate for Angle Ball Valve for Long Yokebox
FLYB-BVLP	Padlock Plate for Straight or Angle Ball Valve
FLYB-BVLP-R	Padlock Plate for Ball Valve with plastic riser
FYBKVLP-AV-SV	Padlock Plate for Straight or Angle Key Valve with or without plastic riser
LYBCP	Long Yokebox Connector Plate
LYGA	Grade Adjuster for Long Yokebox
LYIR-2	2" Iron Riser for Long Yokebox with mounting hardware
LYIR-4	4" Iron Riser for Long Yokebox with mounting hardware
LYIR-6	6" Iron Riser for Long Yokebox with mounting hardware
LYPR-4	4" Plastic Riser for Long Yokebox
MBLK	Yokebox Lid Key
MBUK	Meter Box Universal Key for Locking Lids, Lockless Lids and Yokebox valves
MBVW	Yokebox Key Valve Wrench (18" long)
SAVV	Ball Valve Yokebox Wrench
TP	Removable Cast Iron Plug for Electronic Meter Reading Module Hole (with Cotter Pin)
TP-PIN-800846	Cotter Pin only for Cast Iron Plug
YEW-1	5/8" Expansion Connection Wrench
YEW-3	5/8"x3/4" Expansion Connection Wrench
Add "-G" to Catalog Number	Grip Joint for CTS Example: LYLB244-233-G
Add "-LL" to Catalog Number	Lockless Lid on Long Yokebox. Example: LYLVV122-233-LL
Insert "P" into Catalog Number	Plastic shallow type (YL) upper section (7" high) with anchor lugs Example: LYLB222-233
Add "-P4" to Catalog Number	4" Polystyrene Riser Attached Between Base and Upper Section Example: LYLB244-233-P4
Add "-SP" to Catalog Number	Less Cartridge Dual Check Valve, with Cartridge Dual Check Valve Spacer Example: LYLB244-233-SP
Add "-T" to Catalog Number	Electronic Meter Read Feature on Lid (2" hole) Example: LYLB222-233-T
Add "-TP" to Catalog Number	Electronic Meter Read Feature on Lid (2" hole), with removable plug Example: LYLB222-233-TP

CHECK VALVES, UPPER SECTIONS, LIDS AND GASKETS FOR LONG YOKEBOXES

CATALOG NUMBER	Description
9500	(Each) stainless steel bolt and nut for connecting Upper and Base castings (4 required)
9510	Lock Assembly (bolt, spring & rivet)
EC-1	Expansion Connection for 5/8" meter
EC-23	Expansion Connection for 5/8"x3/4" meter
EC-23-SF	2-Part Expansion Connection for 3/4" meter
GT-32	5/8" beveled Expansion Connection gaskets
GT-33	5/8"x3/4" beveled Expansion Connection gaskets
GT-210	5/8" flat Expansion Connection gaskets
GT-112	5/8" rubber gaskets for valve and outlet saddles
GT-196	5/8"x3/4" flat Expansion Connection gaskets
GT-118	5/8"x3/4" rubber gaskets for valve and outlet saddles
HHC133-311	Cartridge Dual Check Valve for 5/8" meter Long Yokebox
HHC133-322	Cartridge Dual Check Valve for Single Valve Type 5/8"x3/4" meter Long Yokebox
HHC133-322-3-5-PE	Cartridge Dual Check Valve for Double Valve Type 5/8"x3/4" meter Long Yokebox
LYIB	Shallow type (LYL) upper casting (7" high) (for Long Yokebox)
LYL	Locking Lid for Long Yokebox
LYLL	Lockless Lid for Long Yokebox
LYL-T	Locking Electronic Meter Reading Lid with 2" hole (for Long Yokebox)
LYPB	Shallow plastic type (LYL) upper section (7" high) (for Long Yokebox)

NOTE: Dual Cartridge Check Valve Repair Kits (cartridges, gaskets, etc.) are listed in Catalog Section I.



LXI Products meet
ANSI/NSF Standard 61
see page 3

Ford Long Yokebox Parts

For 5/8", 5/8"x3/4" and 3/4" Long Yokeboxes

VALVES, OUTLETS AND BASE FOR KEY VALVE LONG YOKEBOXES

CATALOG NUMBER	DESCRIPTION
GGAV23-343	Angle Valve for 3/4" meter, inlet for 1" flare copper
GGAV43-343	Angle Valve for 3/4" meter, inlet Pack Joint for 1" Copper or Plastic Tube (CTS)*
GGO13-343	Straight outlet for 3/4" meter with 1" female iron pipe threads
GGO43-343	Straight outlet for 3/4" meter with Pack Joint for 1" Copper or Plastic Tube (CTS)*
LYBC-KV	Base (or bottom) casting for Key Valve Long Yokebox
YBAO23-31	Angle outlet for 5/8" meter with 3/4" flare copper connection
YBAO23-32	Angle outlet for 5/8"x3/4" meter with 3/4" flare copper connection
YBAO43-32	Angle outlet for 5/8"x3/4" meter with Pack Joint for 3/4" Copper or Plastic Tube (CTS)*
YBAV23-31	Angle valve for 5/8" meter, inlet for 3/4" flare copper
YBAV23-32	Angle valve for 5/8"x3/4" meter, inlet for 3/4" flare copper
YBAV43-31	Angle valve for 5/8" meter, inlet Pack Joint for 3/4" Copper or Plastic Tube (CTS)*
YBAV43-32	Angle valve for 5/8"x3/4" meter, inlet Pack Joint for 3/4" Copper or Plastic Tube (CTS)*
YBAV43-42	Angle valve for 5/8"x3/4" meter, inlet Pack Joint for 1" Copper or Plastic Tube (CTS)*
YBAV63-32	Angle valve for 5/8"x3/4" meter, inlet Pack Joint for 3/4" PE Pipe*
YBSO13-31	Straight outlet for 5/8" meter with 3/4" female iron pipe threads
YBSO13-32	Straight outlet for 5/8"x3/4" meter with 3/4" female iron pipe threads
YBSO23-11	Straight outlet for 5/8" meter with 1/2" flare copper connection
YBSV23-11	Straight valve for 5/8" meter, inlet for 1/2" flare copper
YBSO23-31	Straight outlet for 5/8" meter with 3/4" flare copper connection
YBSO23-32	Straight outlet for 5/8"x3/4" meter with 3/4" flare copper connection
YBSO43-11	Straight outlet for 5/8" meter with Pack Joint for 1/2" Copper or Plastic Tube (CTS)
YBSO43-31	Straight outlet for 5/8" meter with Pack Joint for 3/4" Copper or Plastic Tube (CTS)*
YBSO43-32	Straight outlet for 5/8"x3/4" meter with Pack Joint for 3/4" Copper or Plastic Tube (CTS)*
YBSO43-42	Straight outlet for 5/8"x3/4" meter with Pack Joint for 1" Copper or Plastic Tube (CTS)*
YBSO63-32	Straight outlet for 5/8"x3/4" meter with Pack Joint for 3/4" PE Pipe*
YBSO73-32	Straight outlet for 5/8"x3/4" meter with Pack Joint for 3/4" PVC
YBSO83-31	Straight outlet for 5/8" meter with 3/4" male iron pipe threads
YBSO83-32	Straight outlet for 5/8"x3/4" meter with 3/4" male iron pipe threads
YBSV13-31	Straight valve for 5/8" meter, 3/4" double purpose coupling inlet
YBSV13-32	Straight valve for 5/8"x3/4" meter, 3/4" double purpose coupling
YBSV23-32	Straight valve for 5/8"x3/4" meter, inlet for 3/4" flare copper
YBSV43-11	Straight valve for 5/8" meter inlet Pack Joint for 1/2" Copper or Plastic Tube (CTS)
YBSV43-31	Straight valve for 5/8" meter, inlet Pack Joint for 3/4" Copper or Plastic Tube (CTS)*
YBSV43-32	Straight valve for 5/8"x3/4" meter, inlet Pack Joint for 3/4" Copper or Plastic Tube (CTS)*
YBSV43-42	Straight valve for 5/8"x3/4" meter, inlet Pack Joint for 1" Copper or Plastic Tube (CTS)*
YBSV63-32	Straight valve for 5/8"x3/4" meter, inlet Pack Joint for 3/4" PE Pipe*
YBSV73-32	Straight valve for 5/8"x3/4" meter, inlet Pack Joint for 3/4" PVC Pipe
YBSV83-32	Straight valve for 5/8"x3/4" meter, inlet for 3/4" male iron pipe threads

VALVES, OUTLETS AND BASE FOR BALL VALVE LONG YOKEBOXES

CATALOG NUMBER	Description
LYABV23-232	5/8"x3/4" Angle Ball Valve for Long Yokebox, 3/4" flare copper
LYABV43-232	5/8"x3/4" Angle Ball Valve for Long Yokebox, 3/4" CTS*
LYABV43-242	5/8"x3/4" Angle Ball Valve for Long Yokebox, 1" CTS*
LYABV63-232	5/8"x3/4" Angle Ball Valve for Long Yokebox, 3/4" PE Pipe*
LYAOB32-23	Angle outlet for 5/8"x3/4" meter Ball Valve Long Yokebox, 3/4" flare copper
LYAOB34-23	Angle outlet for 5/8"x3/4" meter Ball Valve Long Yokebox, 3/4" CTS*
LYBC-BV	Base (or bottom) casting for Ball Valve Long Yokebox
LYSOB31-13	Straight outlet for 5/8" meter Ball Valve Long Yokebox, 3/4" FIP
LYSOB31-23	Straight outlet for 5/8"x3/4" meter Ball Valve Long Yokebox, 3/4" FIP
LYSOB32-13	Straight outlet for 5/8" meter Ball Valve Long Yokebox, 3/4" flare copper
LYSOB32-23	Straight outlet for 5/8"x3/4" meter Ball Valve Long Yokebox, 3/4" flare copper
LYSOB34-13	Straight outlet for 5/8" meter Ball Valve Long Yokebox, 3/4" CTS*
LYSOB34-23	Straight outlet for 5/8"x3/4" meter Ball Valve Long Yokebox, 3/4" CTS*
YBBVL13-231	Straight 5/8" Yokebox Ball Valve for 3/4" Female Iron Pipe
YBBV13-232	Straight 5/8"x3/4" Yokebox Ball Valve for 3/4" Female Iron Pipe
YBBVL23-231	Straight 5/8" Yokebox Ball Valve for 3/4" flare copper
YBBV23-232	Straight 5/8"x3/4" Yokebox Ball Valve for 3/4" flare copper
YBBVL43-231	Straight 5/8" Yokebox Ball Valve for 3/4" CTS*
YBBV43-232	Straight 5/8"x3/4" Yokebox Ball Valve for 3/4" CTS*

*Grip Joint for CTS and PE Pipe is available. Add "-G" to the catalog number.
Installation screws are included with Yokebox Valves and Outlet Pieces.