

The Ford 270 Series Coppersetter

For 5/8", 5/8"x3/4", 3/4" or 1" Meter Size

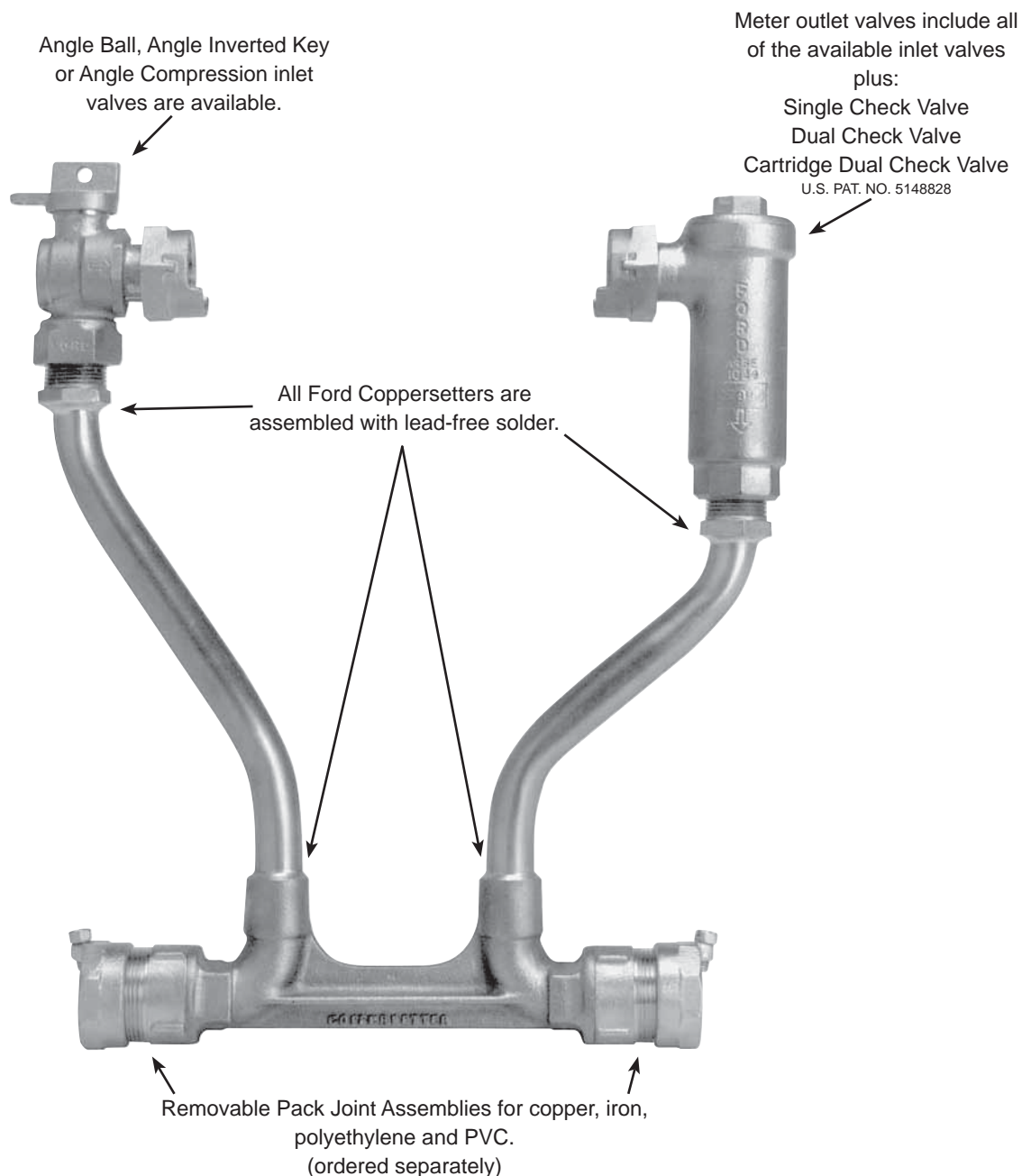
Requires removable Pack Joint (Pack Joint Assemblies ordered separately)

The 270 Series Coppersetters, with removable Pack Joint Assemblies, save time and expense when water meters are set outside in existing service lines. Threading of old iron pipe or flaring of brittle copper tubing is not required. Pack Joint Assemblies are interchangeable and available for all types of service pipe, a great help in metering programs where conditions are unknown until the pits are dug.

To order: Select one Catalog Number component from each of the two charts on page 12 to arrive at the complete Coppersetter Catalog Number. Additionally, service line connections are removable Pack Joint Assemblies and are ordered and priced separately. Selection order of components:

1. Meter size and valve type page 12
2. Coppersetter height page 12

Service line connections (removable Pack Joint Assemblies). . . page 13



The Ford 270 Series Coppersetter

For 5/8", 5/8"x3/4", 3/4" or 1" Meter Size

Requires removable Pack Joint (Pack Joint Assemblies ordered separately)

Example of Catalog Number for a 270 Series Coppersetter

FIRST PART OF NUMBER
(METER SIZE AND VALVE TYPE)

SECOND PART OF NUMBER
(COPPERSETTER HEIGHT)

VBHC272-12W

Angle Ball
Meter Valve on inlet

Cartridge Angle Dual Check
on outlet

270 Series Coppersetter
with detachable
Pack Joint Assemblies

For 5/8 x 3/4" Meter Only

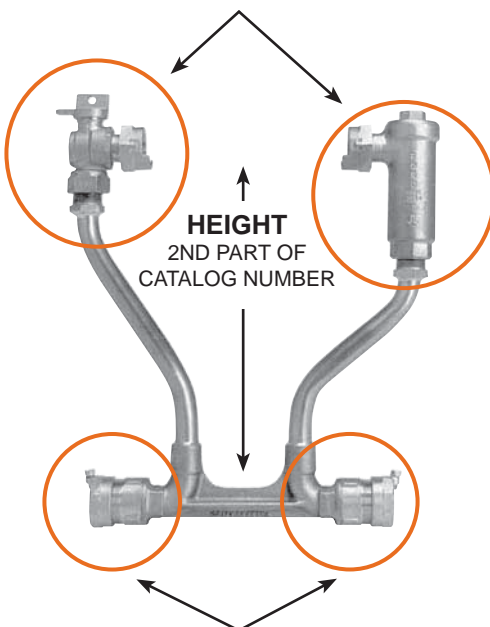
(Angle Meter Ball and Key Valves are
with Padlock Wing - Compression
valve **without** Padlock Wing)

12" Riser Height from Center Line
of Service Line to
Center Line of Meter Spud

The description for the above catalog number reads: A 12 inch high 270 Series Coppersetter for 5/8 x 3/4" meter with an Angle Ball Meter Valve inlet and a Cartridge Angle Dual Check on the outlet.

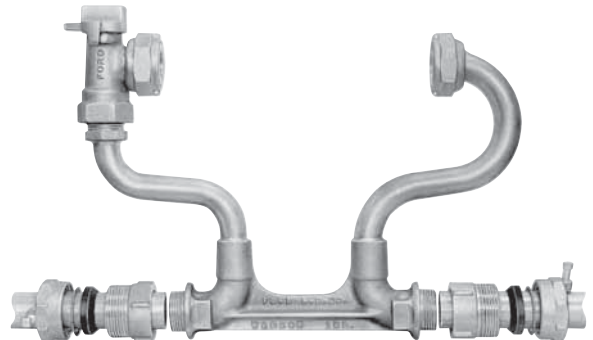
Catalog Numbering

METER SIZE & VALVE TYPE
1ST PART OF CATALOG NUMBER



**SERVICE LINE
CONNECTIONS**
Pack Joint Assemblies
(ordered separately)

Installation



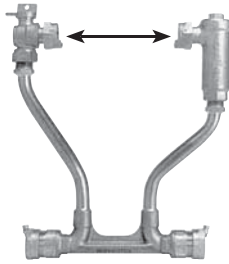
Quick and simple installation involves cutting out a section of service line about 1/2" longer than the Coppersetter bar, cleaning about 3" of pipe ends and slipping Pack Joint Assemblies onto pipe (as shown in photo above). The Pack Joint Assemblies are then screwed tightly onto the bar, nuts tightened and locked into place.

The Ford 270 Series Coppersetter

For 5/8", 5/8"x3/4", 3/4" or 1" Meter Size

Requires removable Pack Joint (Pack Joint Assemblies ordered separately)

METER SIZE & VALVE TYPE - (FIRST PART OF CATALOG NUMBER)



CATALOG NUMBER (METER SIZE AND VALVE TYPE)				DESCRIPTION	
FOR 5/8"	FOR 5/8"x 3/4"	FOR 3/4"	FOR 1"	INLET VALVE	OUTLET VALVE
271	272	273	274	none	none
V271	V272	V273	V274	Key	none
VB271	VB272	VB273	VB274	Ball	none
VV271	VV272	VV273	VV274	Key	Key
VVG271*	VVG272*	VVG273*	VVG274*	Key	Compression
VH271	VH272	VH273	VH274	Key	Single check
VHH271	VHH272	VHH273	VHH274△	Key	Dual check
VHC271	VHC272	VHC273	VHC274	Key	Cartridge dual check
VBG271*	VBG272*	VBG273*	VBG274*	Ball	Compression
VBH271	VBH272	VBH273	VBH274	Ball	Single check
VBHH271	VBHH272	VBHH273	VBHH274△	Ball	Dual check
VBHC271	VBHC272	VBHC273	VBHC274	Ball	Cartridge dual check

* Compression valve does not have padlock wing.

△1" Angle Cascading Dual Check Valves contain 3/4" internal components.

Note: Setters with angle ball valve will be reduced port unless otherwise requested. Reduced port valves usually provide suitable water flow. (Add "-FP" to end of catalog number for full port.)

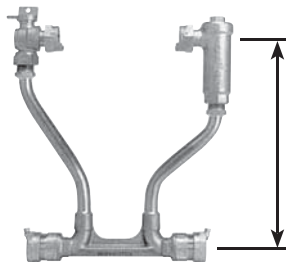
METER VALVE OPTIONS FOR 270 SERIES COPPERSETTERS

Seal Wire Hole in Inlet Valve

Seal Wire Hole in Check Valve

HEIGHT - (SECOND PART OF CATALOG NUMBER)

NOTE: Height dimensions are approximate.



For 5/8" and 5/8"x3/4" Meter

CATALOG NUMBER	HEIGHT IN INCHES
7W	7
9W	9
12W	12
15W	15
18W	18
21W	21
24W	24

For 3/4" Meter

CATALOG NUMBER	HEIGHT IN INCHES
8W	8
12W	12
15W	15
18W	18
21W	21
24W	24

For 1" Meter

CATALOG NUMBER	HEIGHT IN INCHES
10W	10
12W	12
15W	15
18W	18
21W	21
24W	24

Note: 270 Series Coppersetters with cartridge dual check valve have a 9" minimum height for 5/8" and 5/8" x 3/4" meters, 12" minimum height for 3/4" meters and 15" minimum height for 1" meters.

HEIGHT OPTION FOR 270 SERIES COPPERSETTERS

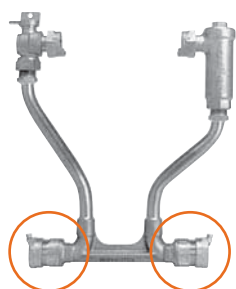
Coppersetters are available in heights over 24" in 3" increments; 27", 30", 33" etc. To order put desired height in catalog number.

EXAMPLE: V272-30W is a 30" high setter.

The Ford 270 Series Coppersetter

For 5/8", 5/8"x3/4", 3/4" or 1" Meter Size
Requires removable Pack Joint (Pack Joint Assemblies ordered separately)

PACK JOINT ASSEMBLIES FOR 270 SERIES COPPERSETTERS INLET & OUTLET SERVICE LINE CONNECTIONS



Pack Joint Assemblies
(ordered separately)
**Service Line
Connections**

CATALOG NUMBER	DESCRIPTION	
	SIZE AND TYPE OF EXISTING PIPE	P.J. ASSEMBLY REQUIRED
◆ PJA4-11	1/2" Copper or Plastic Tube	1/2" Pack Joint for Copper or Plastic Tubing (CTS)*
◆ PJA4-13	3/4" Copper or Plastic Tube	3/4" Pack Joint for Copper or Plastic Tubing (CTS)*
PJA4-14	1" Copper or Plastic Tube	1" Pack Joint for Copper or Plastic Tubing (CTS)*
PJA4-15	1-1/4" Copper or Plastic Tube	1-1/4" Pack Joint for Copper or Plastic Tubing (CTS)*
** PJA4-16-AWT	1-1/2" Copper or Plastic Tube	1-1/2" Pack Joint for Copper or Plastic Tubing (CTS)*
◆*** PJA4-44-C14-54	1" Copper or Plastic Tube	1" Pack Joint for Copper or Plastic Tubing (CTS)*
*** PJA4-45	1-1/4" Copper or Plastic Tube	1-1/4" Pack Joint for Copper or Plastic Tubing (CTS)*
*** PJA4-46-C14-56	1-1/2" Copper or Plastic Tube	1-1/2" Pack Joint for Copper or Plastic Tubing (CTS)*
PJA5-11	1/2" Iron Pipe	1/2" Pack Joint for Iron Pipe
PJA5-13	3/4" Iron Pipe	3/4" Pack Joint for Iron Pipe
PJA5-14	1" Iron Pipe	1" Pack Joint for Iron Pipe
PJA5-15	1-1/4" Iron Pipe	1-1/4" Pack Joint for Iron Pipe
** PJA5-16-AWT	1-1/2" Iron Pipe	1-1/2" Pack Joint for Iron Pipe
*** PJA5-44-C15-54	1" Iron Pipe	1" Pack Joint for Iron Pipe
*** PJA5-45-C15-55	1 1/4" Iron Pipe	1-1/4" Pack Joint for Iron Pipe
*** PJA5-46-C15-56	1 1/2" Iron Pipe	1-1/2" Pack Joint for Iron Pipe
PJA6-13	3/4" Polyethylene Pipe	3/4" Pack Joint for P.E. Pipe*
PJA6-14	1" Polyethylene Pipe	1" Pack Joint for P.E. Pipe*
** PJA6-15-AWT	1-1/4" Polyethylene Pipe	1-1/4" Pack Joint for P.E. Pipe
** PJA6-16-IDR7-AWT	1-1/2" Polyethylene Pipe	1-1/2" Pack Joint for P.E. Pipe
*** PJA6-44-C16-54	1" Polyethylene Pipe	1" Pack Joint for P.E. Pipe*
*** PJA6-45-C16-55	1-1/4" Polyethylene Pipe	1-1/4" Pack Joint for P.E. Pipe
*** PJA6-46-C16-56IDR7	1-1/2" Polyethylene Pipe	1-1/2" Pack Joint for P.E. Pipe
PJA7-11	1/2" PVC Pipe	1/2" Pack Joint for PVC Pipe
PJA7-13	3/4" PVC Pipe	3/4" Pack Joint for PVC Pipe
PJA7-14	1" PVC Pipe	1" Pack Joint for PVC Pipe
PJA7-15	1-1/4" PVC Pipe	1-1/4" Pack Joint for PVC Pipe
** PJA7-16-AWT	1-1/2" PVC Pipe	1-1/2" Pack Joint for PVC Pipe
*** PJA7-44-C17-54	1" PVC Pipe	1" Pack Joint for PVC Pipe
*** PJA7-45-C17-55	1-1/4" PVC Pipe	1-1/4" Pack Joint for PVC Pipe
*** PJA7-46	1-1/2" PVC Pipe	1-1/2" Pack Joint for PVC Pipe

PACK JOINT ELL ASSEMBLIES 5/8", 5/8"X3/4" AND 3/4" 270 SERIES COPPERSETTERS (TWO REQUIRED PER COPPERSETTER)

CATALOG NUMBER	DESCRIPTION	
	SIZE AND TYPE OF EXISTING PIPE	P.J. ASSEMBLY REQUIRED
PJAL4-13	3/4" Copper or Plastic Tube	3/4" Pack Joint for Copper or Plastic Tubing (CTS)*
PJAL6-13	3/4" Polyethylene Pipe	3/4" Pack Joint for PE Pipe*

* Grip Joint for CTS (all sizes) and PE pipe (3/4" & 1") is available. Add "-G" to the catalog number. Example: PJA4-13-G

** These items are not one piece but are two adapter pieces assembled water tight.

*** These pack joint assemblies are for 1" 274 Series Coppersetters only.

◆ Quick Joint is available. Add "-Q" to the end of this catalog number.

ADDITIONAL OPTIONS FOR 270 SERIES COPPERSETTERS

Support assembly clamp (5/8", 5/8"x3/4" and 3/4" sizes only) catalog number: SAC-3

NOTE: Ford Pack Joints for PVC are recommended for Schedule 40 and Schedule 80 pipe only.