

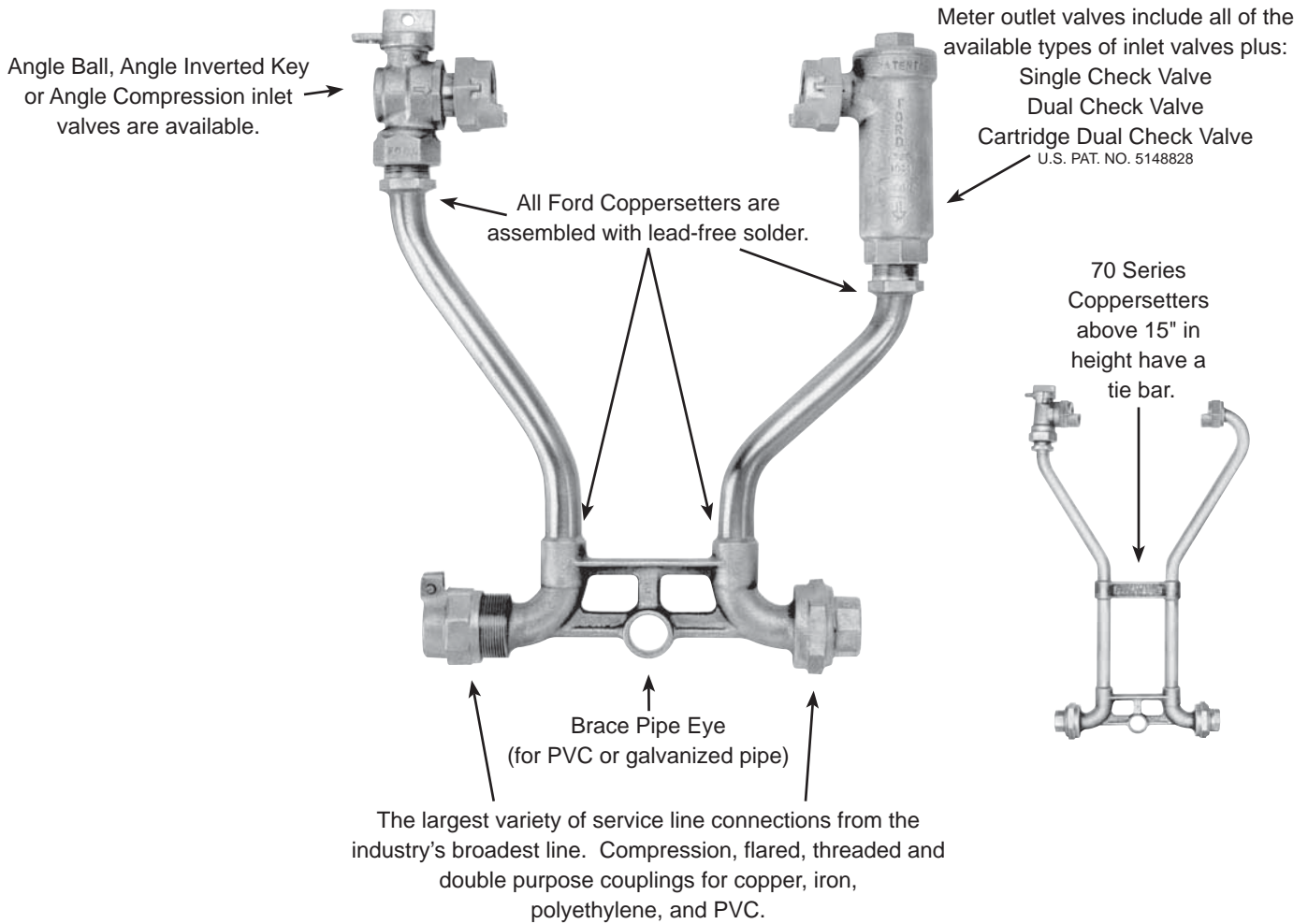
# The Ford 70 Series Coppersetter

For 5/8", 5/8"x3/4", 3/4" or 1" Meter Size

Ford 70 series Coppersetters are designed to be a complete, ready-made meter setting. They require only two pipe joints to install and will connect to horizontal service lines. 70 Series Coppersetters are made in various heights to place the meter at the proper elevation for convenient reading and servicing. Correct hydraulic design assures minimum pressure loss; copper and brass construction provides a lifetime of satisfactory service.

**To order:** Select one catalog number component from each of the three charts on pages 8 and 9 to arrive at the complete Coppersetter catalog number. Selection order of components:

1. Meter size and valve type . . . . . page 8
2. Coppersetter height . . . . . page 8
3. Service line connections . . . . . page 9



70 AND 270 SERIES COPPERSETTER TIE BAR USAGE				
COPPERSETTER HEIGHT	METER SIZE			
	5/8", 5/8"x3/4", & 3/4"		1"	
	WITHOUT *HHCA	WITH *HHCA	WITHOUT *HHCA	WITH *HHCA
15" & Under	NO	NO	NO	NO
18"	YES	NO	NO	NO
21"	YES	YES	YES	NO
24" thru 39"	YES	YES	YES	YES
42" and higher	YES (2)**	YES (2)**	YES (2)**	YES (2)**

\* HHCA represents a cartridge style dual check valve, which is designated with an "HC" in the coppersetter catalog number.

Example: VHC72-15W-44-33.

\*\* The second tie bar is an extra cost.

# The Ford 70 Series Coppersetter

For 5/8", 5/8"x3/4", 3/4" or 1" Meter Size

## Example of Catalog Number for a 70 Series Coppersetter

FIRST PART OF NUMBER  
(METER SIZE AND VALVE TYPE)

SECOND PART OF NUMBER  
(COPPERSETTER HEIGHT)

THIRD PART OF NUMBER  
(SERVICE LINE CONNECTION TYPE & SIZE)

**VBHC72-12W-41-33**

Angle Ball Meter Valve on inlet

Cartridge Angle Dual Check on outlet

70 Series Coppersetter

For 5/8 x 3/4" Meter Only

Riser height is approximately 12" from center line of the service line to center line of the meter spud

(Brace Eye is Standard on all 70 Series Coppersettors)

3/4" Outlet Service Line Connection

3/4" Inlet Service Line Connection

Double Purpose Union Swivel Outlet Service Line Connection

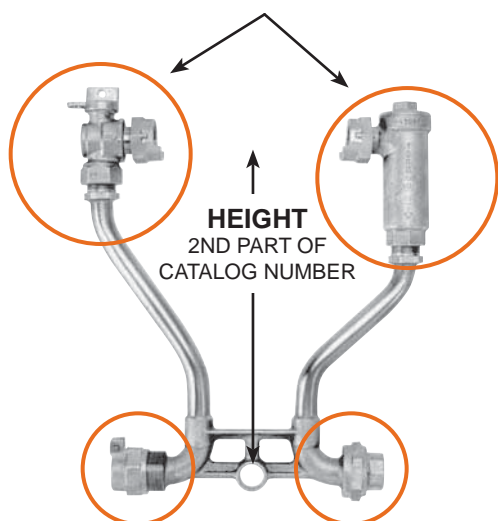
Pack Joint for CTS Inlet Service Line Connection

Angle Meter Ball and Key Valves are **with** Padlock Wing – Compression valve **without** Padlock Wing

The description for the above catalog number reads: 70 Series Coppersetter for 5/8" x 3/4" meter with an Angle Ball Meter Valve on the inlet, Cartridge Angle Dual Check on the outlet, 12 inches high, with 3/4" Pack Joint for CTS inlet by 3/4" double purpose union swivel outlet.

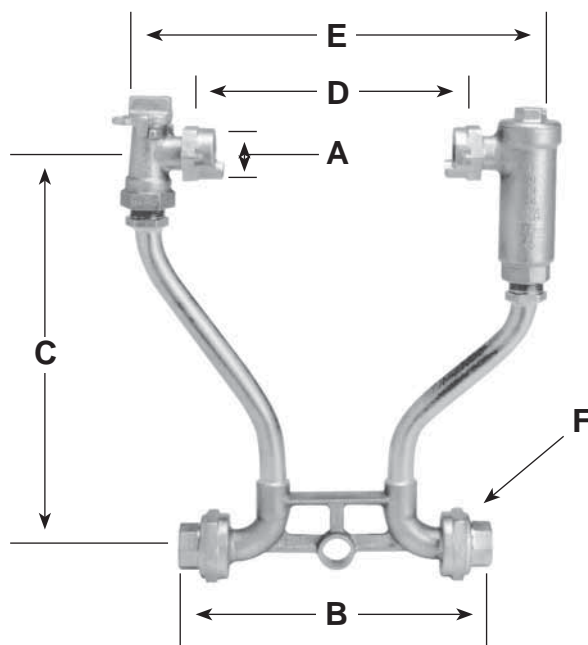
## Catalog Numbering

METER SIZE & VALVE TYPE  
1ST PART OF CATALOG NUMBER



SERVICE LINE CONNECTIONS  
3RD PART OF CATALOG NUMBER

## Dimensions

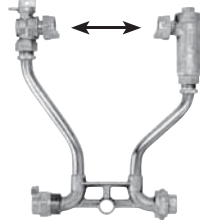


DIMENSIONS	METER SIZES			
	5/8"	5/8" x 3/4"	3/4"	1"
A	1-1/16"	1-5/16"	1-5/16"	1-5/8"
B	9-1/2"	9-1/2"	11"	12-3/4"
C	Heights as ordered in all sizes			
D	7-1/2"+3/8"	7-1/2"+3/8"	9"+3/8"	10-3/4"+3/8"
E	12"	12"	14-1/4"	17-1/4"
F	3/4"	3/4"	3/4"	1"

# The Ford 70 Series Coppersetter

For 5/8", 5/8"x3/4", 3/4" or 1" Meter Size

## METER SIZE & VALVE TYPE - (FIRST PART OF CATALOG NUMBER)



CATALOG NUMBER (METER SIZE AND VALVE TYPE)				DESCRIPTION (METER CONNECTION)	
FOR 5/8"	FOR 5/8"x 3/4"	FOR 3/4"	FOR 1"	INLET VALVE	OUTLET VALVE
71	72	73	74	none	none
V71	V72	V73	V74	Key	none
VB71	VB72	VB73	VB74	Ball	none
VV71	VV72	VV73	VV74	Key	Key
VVG71*	VVG72*	VVG73*	VVG74*	Key	Compression
VH71	VH72	VH73	VH74	Key	Single check
VHH71	VHH72	VHH73	VHH74△	Key	Dual check
VHC71**	VHC72**	VHC73**	VHC74**	Key	Cartridge dual check
VBG71*	VBG72*	VBG73*	VBG74*	Ball	Compression
VBH71	VBH72	VBH73	VBH74	Ball	Single check
VBHH71	VBHH72	VBHH73	VBHH74△	Ball	Dual check
VBHC71**	VBHC72**	VBHC73**	VBHC74**	Ball	Cartridge dual check

\* Compression valve does not have padlock wing.

△1" Angle Cascading Dual Check Valves contain 3/4" internal components.

**Note:** Setters with angle ball valve will be reduced port unless otherwise requested. Reduced port valves usually provide suitable water flow. (Add "-FP" to end of catalog number for full port.)

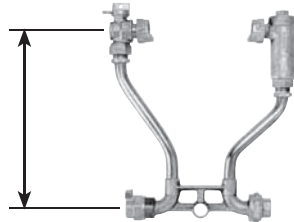
## METER VALVE OPTIONS FOR 70 SERIES COPPERSETTERS

Seal Wire Hole in Inlet Valve

Seal Wire Hole in Check Valve

## HEIGHT - (SECOND PART OF CATALOG NUMBER)

NOTE: Height dimensions are approximate.



For 5/8" and 5/8"x3/4" Meter

CATALOG NUMBER	HEIGHT IN INCHES
7W	7
9W	9
12W	12
15W	15
18W	18
21W	21
24W	24

For 3/4" Meter

CATALOG NUMBER	HEIGHT IN INCHES
8W	8
12W	12
15W	15
18W	18
21W	21
24W	24

For 1" Meter

CATALOG NUMBER	HEIGHT IN INCHES
10W	10
12W	12
15W	15
18W	18
21W	21
24W	24

**Note:** \*\*70 Series Coppersetters with cartridge dual check valve have a 9" minimum height for 5/8" and 5/8" x 3/4" meters, 12" minimum height for 3/4" meters and 15" minimum height for 1" meters.

**Note:** See table on page 6 for Tie Bar usage.

## HEIGHT OPTION FOR 70 SERIES COPPERSETTERS

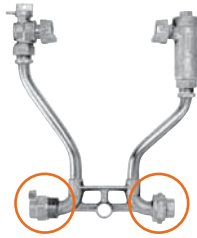
Coppersetters are available in heights over 24" in 3" increments; 27", 30", 33" etc. To order put desired height in catalog number.

EXAMPLE: V72-33W-11-33 is a 33" high setter.

# The Ford 70 Series Coppersetter

For 5/8", 5/8"x3/4", 3/4" or 1" Meter Size

## INLET & OUTLET SERVICE LINE CONNECTIONS - (THIRD PART OF CATALOG NUMBER)



Service Line Connections

CATALOG NUMBER	DESCRIPTION	
	INLET CONNECTION	OUTLET CONNECTION
<b>Pack Joint by Pack Joint</b>		
◆ 44-33	3/4" P.J. for Copper or Plastic Tubing (CTS)*	3/4" P.J. for Copper or Plastic Tubing (CTS)*
** 44-43	1" P.J. for Copper or Plastic Tubing (CTS)*	3/4" P.J. for Copper or Plastic Tubing (CTS)*
◆** 44-44	1" P.J. for Copper or Plastic Tubing (CTS)*	1" P.J. for Copper or Plastic Tubing (CTS)*
** 46-33	3/4" P.J. for Copper or Plastic Tubing (CTS)*	3/4" P.J. for PE Pipe*
** 46-44	1" P.J. for Copper or Plastic Tubing (CTS)*	1" P.J. for PE Pipe*
** 47-33	3/4" P.J. for Copper or Plastic Tubing (CTS)*	3/4" P.J. for PVC Pipe
** 47-44	1" P.J. for Copper or Plastic Tubing (CTS)*	1" P.J. for PVC Pipe
◆** 66-33	3/4" P.J. for PE Pipe*	3/4" P.J. for PE Pipe*
** 66-44	1" P.J. for PE Pipe*	1" P.J. for PE Pipe*
** 67-44	1" P.J. for PE Pipe*	1" P.J. for PVC Pipe
** 76-44	1" P.J. for PVC Pipe	1" P.J. for PE Pipe*
** 77-33	3/4" P.J. for PVC Pipe	3/4" P.J. for PVC Pipe
** 77-44	1" P.J. for PVC Pipe	1" P.J. for PVC Pipe
<b>Pack Joint by Iron Pipe and Double Purpose</b>		
◆ 14-33	3/4" Double Purpose Union Swivel	3/4" P.J. for Copper or Plastic Tubing (CTS)*
** 16-33	3/4" Female Iron Pipe Union Swivel	3/4" P.J. for PE Pipe*
17-33	3/4" Female Iron Pipe Union Swivel	3/4" P.J. for PVC Pipe
◆ 41-33	3/4" P.J. for Copper or Plastic Tubing (CTS)*	3/4" Double Purpose Union Swivel
** 41-43	1" P.J. for Copper or Plastic Tubing (CTS)*	3/4" Double Purpose Union Swivel
◆*** 41-44	1" P.J. for Copper or Plastic Tubing (CTS)*	1" Double Purpose Union Swivel
◆ 48-33	3/4" P.J. for Copper or Plastic Tubing (CTS)*	3/4" Male Iron Pipe Union Swivel
◆** 48-34	3/4" P.J. for Copper or Plastic Tubing (CTS)*	1" Male Iron Pipe Union Swivel
** 48-44	1" P.J. for Copper or Plastic Tubing (CTS)*	1" Male Iron Pipe Union Swivel
** 4F-44	1" P.J. for Copper or Plastic Tubing (CTS)*	1" Female Iron Pipe Swivel
** 6F-44	1" P.J. for PE Pipe	1" Female Iron Pipe Swivel
** 7F-44	1" P.J. for PVC Pipe	1" Female Iron Pipe Swivel
4M-33	3/4" P.J. for Copper or Plastic Tubing (CTS)*	3/4" Integral Male Iron Pipe Thread
** 61-33	3/4" P.J. for PE Pipe*	3/4" Female Iron Pipe Union Swivel
*** 61-44	1" P.J. for PE Pipe*	1" Double Purpose Union Swivel
** 71-33	3/4" P.J. for PVC Pipe	3/4" Double Purpose Union Swivel
*** 71-44	1" P.J. for PVC Pipe	1" Double Purpose Union Swivel
** 78-33	3/4" P.J. for PVC Pipe	3/4" Male Iron Pipe Union Swivel
◆ 84-33	3/4" Male Iron Pipe Union Swivel	3/4" P.J. for Copper or Plastic Tubing (CTS)*
<b>Double Purpose, Iron Pipe and Flare Copper</b>		
11-33	3/4" Double Purpose Union Swivel	3/4" Double Purpose Union Swivel
11-44	1" Double Purpose Union Swivel	1" Double Purpose Union Swivel
*** FF-55	1-1/4" Female Iron Pipe Union Swivel	1-1/4" Female Iron Pipe Union Swivel
12-44	1" Double Purpose Union Swivel	1" Flare Copper
18-33	3/4" Double Purpose Union Swivel	3/4" Male Iron Pipe Union Swivel
18-44	1" Double Purpose Union Swivel	1" Male Iron Pipe Union Swivel
21-33	3/4" Flare Copper	3/4" Double Purpose Union Swivel
21-44	1" Flare Copper	1" Double Purpose Union Swivel
22-33	3/4" Flare Copper	3/4" Flare Copper
22-44	1" Flare Copper	1" Flare Copper
28-44	1" Flare Copper	1" Male Iron Pipe Union Swivel
81-33	3/4" Male Iron Pipe Union Swivel	3/4" Double Purpose Union Swivel
81-43	1" Male Iron Pipe Union Swivel	3/4" Double Purpose Union Swivel
81-44	1" Male Iron Pipe Union Swivel	1" Double Purpose Union Swivel
82-44	1" Male Iron Pipe Union Swivel	1" Flare Copper
88-33	3/4" Male Iron Pipe Union Swivel	3/4" Male Iron Pipe Union Swivel
88-44	1" Male Iron Pipe Union Swivel	1" Male Iron Pipe Union Swivel
*** 88-55	1-1/4" Male Iron Pipe Union Swivel	1-1/4" Male Iron Pipe Union Swivel
** FF-33	3/4" Integral Female Iron Pipe	3/4" Integral Female Iron Pipe
FF-44	1" Female Iron Pipe Union Swivel	1" Female Iron Pipe Union Swivel
MM-33	3/4" Integral Male Iron Pipe	3/4" Integral Male Iron Pipe
*** MM-44	1" Integral Male Iron Pipe	1" Integral Male Iron Pipe
*** MM-55	1-1/4" Integral Male Iron Pipe	1-1/4" Integral Male Iron Pipe
*** MM-66	1-1/2" Integral Male Iron Pipe	1-1/2" Integral Male Iron Pipe

**NOTE:** Ford Pack Joints for PVC are recommended for Schedule 40 and Schedule 80 pipe only.

\* Grip Joint for CTS (all sizes) and P.E. pipe (3/4" & 1") is available. Add "-G" to the catalog number. Example: V72-12W-41-33-G

\*\* These couplings are NOT available on 3/4", V73 Series Coppersettors (with 15/16" O.D. copper tubing). Use V72 Series with 3/4" meter spacing.

\*\*\* These connections are available on 1", V74 Series Coppersettors only.

◆ Quick Joint is available. Add "-Q" to the end of this catalog number. The 1" Quick Joint Connections are for 1" Meter Setters only.