

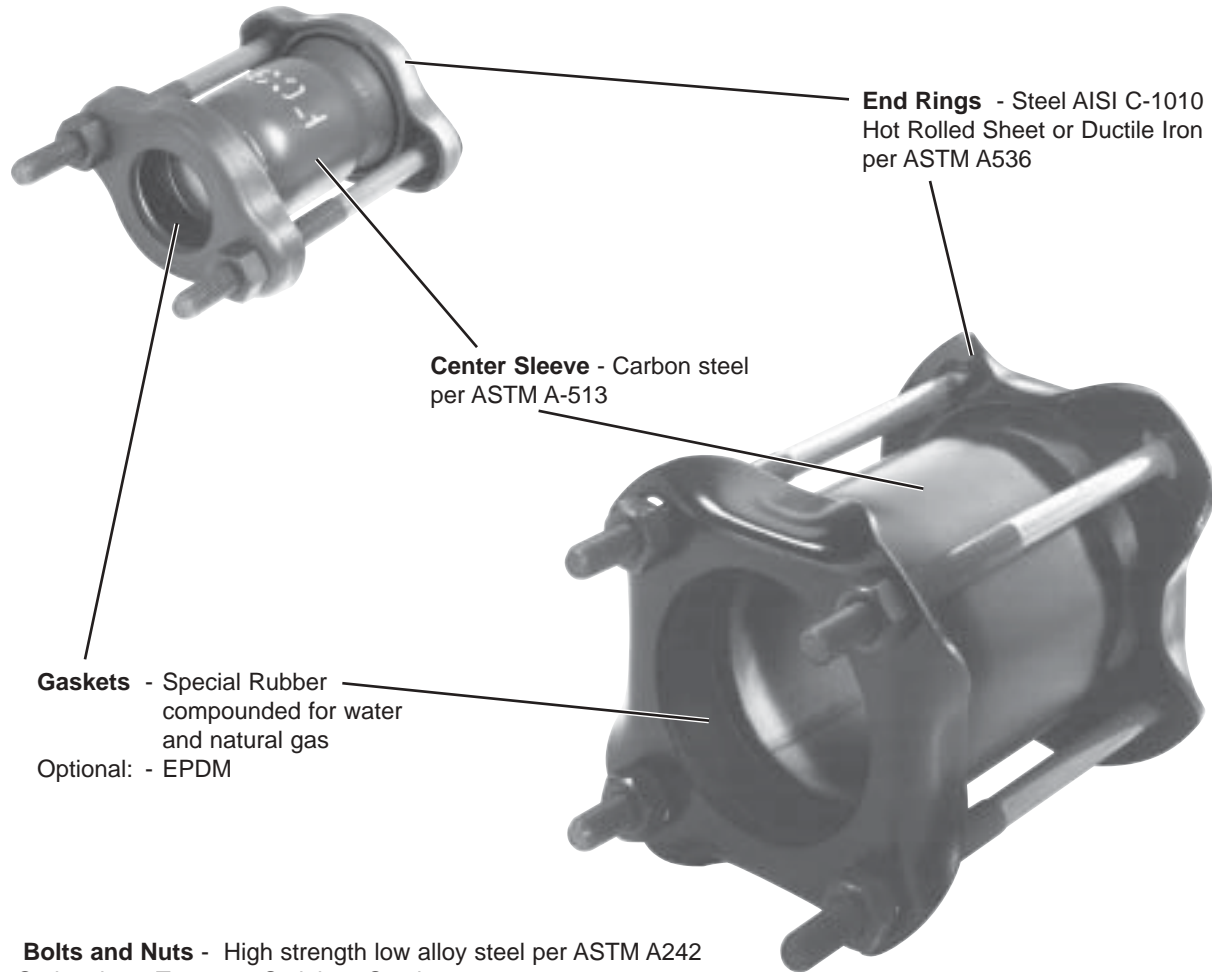
Ford Standard Steel Couplings

Style FC3 (1/2" through 12")

The FC3 Coupling is manufactured in standard steel sizes with a steel center sleeve and stamped steel or ductile iron end rings and complies with DOT Regulation Part 192 Title 49. The FC3, in its standard configuration, may be used for water as well as natural gas applications.

Finish -Red epoxy paint

Rated Working Pressure - 150 PSI



Caution: Flexible couplings do not restrain axial pipe movement. Unbalanced forces created by internal water pressure or external forces must be restrained.

How to order FC3 couplings:

Use catalog numbers from the next page. For example: An FC3 Steel Coupling with a center sleeve length of 7" for a pipe with an O.D. of 2.88 would be an FC3-288-7.

Ford Standard Steel Couplings

Style FC3

Style FC3 Standard Steel Couplings - 1/2" through 12"

NOM. PIPE SIZE	PIPE O.D.	SLEEVE THICKNESS & LENGTH	CATALOG NUMBER	NUMBER OF BOLTS	BOLT DIA. & LENGTH	APPROX. WT. LBS.
1/2"	.84	.120x5	FC3-084-5	2	1/2"x7"	2
		.120x7	FC3-084-7	2	1/2"x9"	2
3/4"	1.05	.120x5	FC3-105-5	2	1/2"x7"	2
		.120x7	FC3-105-7	2	1/2"x9"	3
		.120x12	FC3-105-12	2	1/2"x14"	3
		.120x5	FC3-132-5	2	1/2"x7"	3
1"	1.32	.120x7	FC3-132-7	2	1/2"x9"	3
		.120x12	FC3-132-12	2	1/2"x14"	4
1-1/4"	1.66	.134x5	FC3-166-5	2	1/2"x7"	4
		.134x7	FC3-166-7	2	1/2"x9"	4
		.134x12	FC3-166-12	2	1/2"x14"	5
1-1/2"	1.90	.134x5	FC3-190-5	2	1/2"x7"	4
		.134x7	FC3-190-7	2	1/2"x9"	5
		.134x12	FC3-190-12	2	1/2"x14"	7
		.156x5	FC3-238-5	2	5/8"x8"	7
2"	2.38	.156x5	FC3-238-5-H	3	5/8"x8"	10
		.156x7	FC3-238-7	2	5/8"x11"	10
		.156x7	FC3-238-7-H	3	5/8"x11"	12
		.156x12	FC3-238-12	2	5/8"x15"	13
		.156x12	FC3-238-12-H	3	5/8"x15"	14
2-1/2"	2.88	.156x5	FC3-288-5	3	5/8"x9"	10
		.156x7	FC3-288-7	3	5/8"x11"	11
		.156x12	FC3-288-12	3	5/8"x15"	14
		.156x24	FC3-288-24	3	5/8"x27"	24
3"	3.50	.203x5	FC3-350-5	4	5/8"x9"	16
		.203x7	FC3-350-7	4	5/8"x11"	17
		.203x12	FC3-350-12	4	5/8"x15"	26
		.203x24	FC3-350-24	4	5/8"x27"	35
4"	4.50	.203x5	FC3-450-5	4	5/8"x9"	16
		.203x7	FC3-450-7	4	5/8"x11"	17
		.203x12	FC3-450-12	4	5/8"x15"	27
		.203x16	FC3-450-16	4	5/8"x19"	31
	4.80	.203x24	FC3-450-24	4	5/8"x27"	38
		.203x5	FC3-480-5	4	5/8"x9"	16
		.203x7	FC3-480-7	4	5/8"x11"	17
		.203x12	FC3-480-12	4	5/8"x15"	27
6"	6.63	.203x16	FC3-480-16	4	5/8"x19"	31
		.203x24	FC3-480-24	4	5/8"x27"	38
		.250x5	FC3-663-5	6	5/8"x9"	25
		.250x7	FC3-663-7	6	5/8"x11"	31
		.250x12	FC3-663-12	6	5/8"x15"	39
	6.90	.250x16	FC3-663-16	6	5/8"x19"	50
		.250x24	FC3-663-24	6	5/8"x27"	65
		.250x5	FC3-690-5	6	5/8"x8"	25
		.250x16	FC3-690-16	6	5/8"x19"	50
		8"	8.63	.250x5	FC3-863-5	6
.250x7	FC3-863-7			6	5/8"x11"	41
.250x12	FC3-863-12			6	5/8"x15"	51
.250x16	FC3-863-16			6	5/8"x19"	63
9.05	.250x24		FC3-863-24	6	5/8"x27"	78
	.250x5		FC3-905-5	6	5/8"x9"	34
	.250x7		FC3-905-7	6	5/8"x11"	41
	.250x16		FC3-905-16	6	5/8"x19"	63
10"	10.75	.250x5	FC3-1075-5	8	5/8"x9"	41
		.250x7	FC3-1075-7	8	5/8"x11"	49
		.250x16	FC3-1075-16	8	5/8"x19"	67
12"	12.75	.250x5	FC3-1275-5	8	5/8"x9"	47
		.250x7	FC3-1275-7	8	5/8"x11"	53
		.250x16	FC3-1275-16	8	5/8"x19"	88

"-H" indicates Three Bolt Style

Note: Larger sizes are detailed as style FC4 on pages 15 and 16 .