

FORD PLASTIC PIT SETTERS SECTION FA

Ford Plastic Pit Setter Numbering System

TYPE OF PLASTIC SETTER

- PS** = Standard for Single Lid Cover
- PD** = Standard for Double Lid Cover
- *PTS** = Tandem for Single Lid Cover
- *PTD** = Tandem for Double Lid Cover
- *PDS** = Dual Service for Single Lid Cover
- *PDD** = Dual Service for Double Lid Cover
- PM** = Pit Setter for Monitor Cover
(36" tile size only)

* 20" pit recommended for 5/8"-3/4" meters. Not recommended for 1" meters.

INLET VALVE TYPE

- **B** = Angle Ball Valve
- V** = Angle Key Valve
- ±G** = Angle Compression Valve

OUTLET VALVE TYPE

- **B** = Angle Ball Valve
- V** = Angle Key Valve
- ±G** = Angle Compression Valve
- H** = Angle Check Valve
- ΔHH** = Angle Cascading Dual Check Valve
- *** ±HC** = Angle Cartridge Dual Check Valve
- ±** Not available with 1-1/2" and 2" pit setters.

Δ Angle cascading dual check valve contains 3/4" internal components. This valve meets the ASSE flow requirements of a 1" valve. For a full port valve order the cartridge style check valve.

** The 5/8" port angle ball valve is a one-way directional valve designed for the inlet of the meter and should not be used as a customer shut-off on the customer side of the meter. 5/8" x 3/4", 3/4" and 1" setters with angle ball valves will be reduced port unless otherwise specified. Reduced port valves usually provide suitable water flow. Add "-FP" to the end of catalog number for full port.

*** Cartridges with enhanced chlorine/chloramine resistance are available. Add "CR" to the end of the alpha code. Example: PSBHCCR-344-20-36-NL. Cartridge style dual checks not available with 1-1/2" and 2" pit setters.

PIT DIAMETER AND DEPTH

- **18-36** = 18" x 36"
- **18-48** = 18" x 48"
- **18-60** = 18" x 60"
- **18-72** = 18" x 72"
- 20-36** = 20" x 36"
- 20-48** = 20" x 48"
- 20-60** = 20" x 60"
- 20-72** = 20" x 72"
- ***36HB-36** = 36" x 36"
- ***36HB-42** = 36" x 42"
- ***36HB-48** = 36" x 48"
- ***36HB-54** = 36" x 54"
- ***36HB-60** = 36" x 60"
- ***36HB-66** = 36" x 66"
- ***36HB-72** = 36" x 72"
- ***36HB-78** = 36" x 78"

** Not available for 3/4" or 1" meters.

*** Available only for 1-1/2" and 2" meters.

METER SIZE

(INLET - OUTLET SIZE)

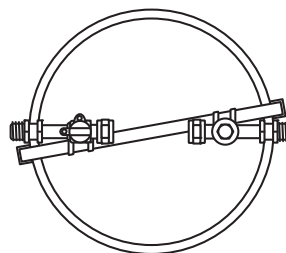
- 1** = 5/8" (3/4")
 - 2** = 5/8" x 3/4" (3/4")
 - 3** = 3/4" (3/4")
 - 4** = 1" (1")
 - 6** = 1-1/2" (1-1/2")
 - 7** = 2" (2")
- (The number in parentheses is the standard inlet-outlet size for a given meter size.)

P S B H - 2 2 2 - 1 8 - 7 2 - NL

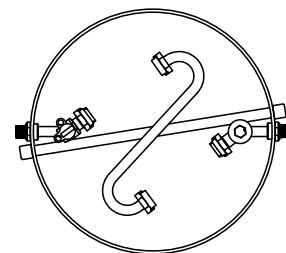
TYPES OF INLET-OUTLET (One End - Other End)

- ±2** = Flare Copper Tube Nut
- ±4** = Pack Joint for Plastic or Copper Tube (CTS)
- 8** = Male Iron Pipe Threads

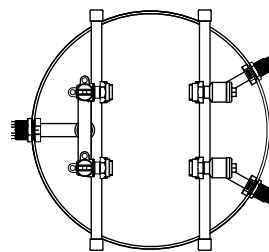
Add "-G" to the end of the catalog number for Grip Joint for CTS.
Example: PSBH-244-18-72-G-NL



Standard Setting



Tandem Setting



Dual Setting

Note: See item listings in catalog section to ensure that desired sizes and options are available. Contact factory for other tile options

F A

PIT SETTER FOR 5/8" OR 5/8" X 3/4" METER

1. What type of pit setting is required?

SETTING TYPE	CODE	PRICE
Standard for Single Lid Cover	PS	\$ 576.40
Standard for Double Lid Cover	PD	531.50
* Tandem for Single Lid Cover	PTS	676.48
* Tandem for Double Lid Cover	PTD	631.54
* Dual Service Line for Single Lid Cover	PDS	Δ
* Dual Service Line for Double Lid Cover	PDD	Δ

2. What type of inlet valve is required?

INLET VALVE TYPE	CODE	PRICE
Angle Key Valve	V	Standard
▼ Angle Ball Valve	B	10.10
Angle Compression Valve	G	13.06
No Inlet Valve (subtract)	-	-46.83

3. What type of outlet valve is required?

OUTLET VALVE TYPE	CODE	PRICE
Angle Key Valve (subtract)	V	-4.60
***▼ Angle Ball Valve	B	5.55
Angle Compression Valve	G	8.24
Angle Check Valve	H	Standard
Angle Dual Check Valve	HH	43.23
● Angle Cartridge Dual Check Valve	HC	52.46
No Outlet Valve (subtract)	-	-51.68

+ (insert dash)

4. What meter size is required?

METER SIZE	CODE	PRICE
5/8" Meter	1	Standard
□ 5/8" x 3/4" Meter	2	Standard

5. What type of inlet connection is required?
(see note below)

3/4" INLET TYPE	CODE	PRICE
Flared Copper	2	11.07
PET/CTS Pack Joint	4	11.71
Male Iron Pipe	8	Standard

6. What type of outlet connection is required?
(see note below)

3/4" OUTLET TYPE	CODE	PRICE
Flared Copper	2	11.07
PET/CTS Pack Joint	4	11.71
Male Iron Pipe	8	Standard

+ (insert dash)

7. What pit diameter and depth is required?
(Depth is measured from ground level to service line.
The service line is 2" higher than bottom of pit setter.)

PIT DIAMETER AND DEPTH	SMOOTH WALL TILE		CORRUGATED TILE	
	CODE	LIST PRICE	CODE	LIST PRICE
18" x 36"	18-36-NL	Standard	18C-36-NL	\$ 37.45
18" x 48"	18-48-NL	\$ 96.64	18C-48-NL	146.58
18" x 60"	18-60-NL	193.33	18C-60-NL	255.76
18" x 72"	18-72-NL	290.00	18C-72-NL	364.87
20" x 36"	20-36-NL	32.11	**20C-36-NL	94.28
20" x 48"	20-48-NL	114.34	**20C-48-NL	197.27
20" x 60"	20-60-NL	220.01	**20C-60-NL	323.65
20" x 72"	20-72-NL	325.58	**20C-72-NL	449.96

Contact factory for other pit diameters and types not listed.

* 20" pit diameter is recommended for tandem and dual settings.

Δ Contact Ford Customer Service for pricing.

NOTE: Prices above do not include covers which are listed in catalog section D.

Grip Joint for CTS and PEP can be ordered by inserting "-G" into the catalog number.

Example: PSBH244-18-72-G-NL

** Pit setters manufactured from 20" corrugated tile require Ford Iron Covers for 21" I.D. Tile.

*** The 5/8" port angle ball valve is a one-way directional valve designed for the inlet side of the meter and should not be used as a customer shut-off on the customer side of the meter.

□ 1" inlet on 5/8" x 3/4" dual setters.

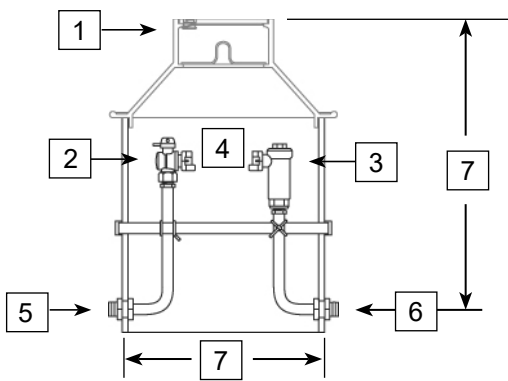
▼ Setters with angle ball valve inlets will be reduced port unless otherwise requested.

Reduced port valves usually provide suitable water flow. (Add "-FP" to the end of the catalog number for full port.) Add to price \$ 50.13

If ordering full port ball valve inlet and outlet, add to price \$ 100.26

● Cartridges for 5/8" or 5/8" x 3/4" meter setters with enhanced chlorine/chloramine resistance are available. Add "CR" to the end of the alpha code.

Example: PSBHCCR-188-20-36-NL. Add to price \$ 26.18



HOW TO ORDER A PLASTIC PIT SETTER :

Answer each question to create a catalog number. The catalog codes will build the plastic pit setter that meets your setting requirements. To price, add the price of the codes together.

PART NUMBER EXAMPLE:

PSBH-222-18-72-NL = A standard single lid style plastic pit setter with an inlet angle ball valve, outlet angle check valve, 5/8" x 3/4" meter, inlet connection for flared copper, outlet connection for flared copper and a pit diameter and depth of 18" x 72".

PSBH-222-18-72-NL PRICE EXAMPLE:

\$ 576.40 + 10.10 + 0.00 + 0.00 + 11.07 + 11.07 + 290.00 = \$ 898.64

Note: Inlet and outlet connections are 3/4" in size, for 5/8", and 5/8" x 3/4" meter settings on 5/8" x 3/4" dual setters, inlet will be 1" with two 3/4" outlets, unless otherwise specified.

Female iron pipe by Pack Joint couplings are available for a variety of inlet/outlet combinations (see catalog section J) and are sold separately.

PIT SETTER FOR 3/4" METER

1. What type of pit setting is required?
- +
2. What type of inlet valve is required?
- +
3. What type of outlet valve is required?
- + (insert dash)
4. What meter size is required?
- +
5. What type of inlet connection is required?
(see note below)
- +
6. What type of outlet connection is required?
(see note below)
- + (insert dash)
7. What pit diameter and depth is required?
(Depth is measured from ground level to service line.
The service line is 2" higher than bottom of pit setter.)

SETTING TYPE	CODE	PRICE
Standard for Single Lid Cover	PS	\$ 617.44
Standard for Double Lid Cover	PD	572.49
Tandem for Single Lid Cover	PTS	717.58
Tandem for Double Lid Cover	PTD	672.56

INLET VALVE TYPE	CODE	PRICE
Angle Key Valve	V	Standard
▼ Angle Ball Valve	B	10.10
Angle Compression Valve	G	13.06
No Inlet Valve (subtract)	-	-44.62

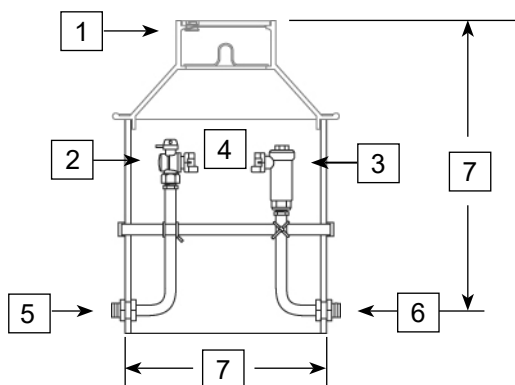
OUTLET VALVE TYPE	CODE	PRICE
Angle Key Valve (subtract)	V	-4.60
▼ Angle Ball Valve	B	5.55
Angle Compression Valve	G	8.05
Angle Check Valve	H	Standard
Angle Dual Check Valve	HH	43.23
● Angle Cartridge Dual Check Valve	HC	52.46
No Outlet Valve (subtract)	-	-51.68

METER SIZE	CODE	PRICE
3/4" Meter	3	Standard

3/4" INLET TYPE	CODE	PRICE
Flared Copper	2	11.07
PET/CTS Pack Joint	4	11.71
Male Iron Pipe	8	Standard

3/4" OUTLET TYPE	CODE	PRICE
Flared Copper	2	11.07
PET/CTS Pack Joint	4	11.71
Male Iron Pipe	8	Standard

PIT DIAMETER AND DEPTH	SMOOTH WALL TILE		**CORRUGATED TILE	
	CODE	LIST PRICE	CODE	LIST PRICE
20" x 36"	20-36-NL	Standard	20C-36-NL	\$ 62.17
20" x 48"	20-48-NL	\$ 114.34	20C-48-NL	197.27
20" x 60"	20-60-NL	220.01	20C-60-NL	323.65
20" x 72"	20-72-NL	325.58	20C-72-NL	449.96



Contact factory for other pit diameters and types not listed.
NOTE: Prices above do not include covers which are listed in catalog section D.
Grip Joint for CTS and PEP can be ordered by inserting "-G" into the catalog number. Example: PSBH344-20-72-G-NL

- ** Pit setters manufactured from 20" corrugated tile require Ford Iron Covers for 21" I.D. Tile.
- ▼ Setters with angle ball valve inlets will be reduced port unless otherwise requested. Reduced port valves usually provide suitable water flow. (Add "-FP" to the end of the catalog number for full port.) Add to price. \$ 50.13
If ordering full port ball valve inlet and outlet:
Add to price. \$ 100.26
- Cartridges for 3/4" meter setters with enhanced chlorine/chloramine resistance are available. Add "CR" to the end of the alpha code. Ex: PSBHCCR-388-20-36-NL
Add to price. \$ 26.18

HOW TO ORDER A PLASTIC PIT SETTER :

Answer each question to create a catalog number. The catalog codes will build the **plastic pit setter** that meets your setting requirements. To price, add the prices of the codes together.

PART NUMBER EXAMPLE:

PSBH-322-20-72-NL = A standard single lid style plastic pit setter with an inlet angle ball valve, outlet angle check valve, 3/4" meter, inlet connection for flared copper, outlet connection for flared copper and a pit diameter and depth of 20" x 72". Valves and fittings in contact with potable water are of no-lead alloy.

PSBH-322-20-72-NL PRICE EXAMPLE:

\$ 617.44 + 10.10 + 0.00 + 0.00 + 11.07 + 11.07 + 325.58 = \$ 975.26

Note: Inlet and outlet connections are 3/4" in size, for 3/4" meter settings, unless otherwise specified.

Female iron pipe by Pack Joint couplings are available for a variety of inlet/outlet combinations (see catalog section J) and are sold separately.



PIT SETTER FOR 1" METER

1. What type of pit setting is required?

SETTING TYPE	CODE	PRICE
Standard for Single Lid Cover	PS	\$ 742.30
Standard for Double Lid Cover	PD	694.78

+

2. What type of inlet valve is required?

INLET VALVE TYPE	CODE	PRICE
Angle Key Valve	V	Standard
▼ Angle Ball Valve	B	42.48
No Inlet Valve (subtract)	-	-40.26

+

3. What type of outlet valve is required?

OUTLET VALVE TYPE	CODE	PRICE
Angle Key Valve (subtract)	V	-9.31
▼ Angle Ball Valve	B	55.66
Angle Check Valve	H	Standard
● Angle Cartridge Dual Check Valve	HC	118.53
△ Angle Dual Check Valve	HH	43.23
No Outlet Valve (subtract)	-	-30.97

+ (insert dash)

4. What meter size is required?

METER SIZE	CODE	PRICE
1" Meter	4	Standard

+

5. What type of inlet connection is required?
(see note below)

1" INLET TYPE	CODE	PRICE
Male Iron Pipe	8	Standard

+

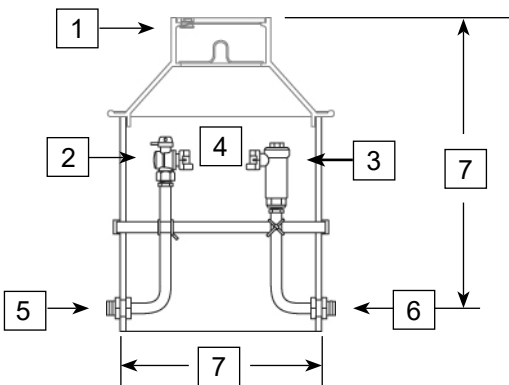
6. What type of outlet connection is required?
(see note below)

1 " OUTLET TYPE	CODE	PRICE
Male Iron Pipe	8	Standard

+ (insert dash)

7. What pit diameter and depth is required?
(Depth is measured from ground level to service line.
The service line is 2" higher than bottom of pit setter.)

PIT DIAMETER AND DEPTH	SMOOTH WALL TILE		**CORRUGATED TILE	
	CODE	LIST PRICE	CODE	LIST PRICE
20" x 36"	20-36-NL	Standard	20C-36-NL	\$ 62.17
20" x 48"	20-48-NL	\$ 144.32	20C-48-NL	227.25
20" x 60"	20-60-NL	294.39	20C-60-NL	398.03
20" x 72"	20-72-NL	444.47	20C-72-NL	568.82



Contact factory for other pit diameters and types not listed.

NOTE: Prices above do not include covers which are listed in catalog section D.

** Pit setters manufactured from 20" corrugated tile require Ford Iron Covers for 21" I.D. Tile.

▼ Setters with angle ball valve inlets will be reduced port unless otherwise requested. Reduced port valves usually provide suitable water flow.
(Add "-FP" to the end of the catalog number for full port.)

Add to price \$ 45.15

If ordering full port ball valve inlet and outlet add to price. \$ 90.31

● Cartridges for 1" meter setters with enhanced chlorine/chloramine resistance are available. Add "CR" to the end of the alpha code. Ex: PSBHCCR-488-20-60-NL
Add to price \$ 33.19

△ Angle cascading dual check valve contains 3/4" internal components. This valve meets the ASSE flow requirements of a 1" valve. For a full port valve order the cartridge style check valve.

HOW TO ORDER A PLASTIC PIT SETTER :

Answer each question to create a catalog number. The catalog codes will build the **plastic pit setter** that meets your setting requirements.
To price, add the prices of the codes together.

PART NUMBER EXAMPLE:

PSBH-488-20-60-NL = A standard single lid style plastic pit setter with an inlet angle ball valve, outlet angle check valve, 1" meter, inlet connection for male iron pipe, outlet connection for male iron pipe and a pit diameter and depth of 20" x 60". Valves and fittings in contact with potable water are of no-lead alloy.

PSBH-488-20-60-NL PRICE EXAMPLE:

\$ 742.30 + \$ 42.48 + 0.00 + 0.00 + 0.00 + 0.00 + \$ 294.39 = \$ 1079.17

Note: Inlet and outlet connections are 1" in size, for 1" meter settings, unless otherwise specified.

Female iron pipe by Pack Joint couplings are used to provide 1" PET, PEP or PVC inlet-outlet combinations (see catalog section J) and are sold separately.

PIT SETTER FOR 1-1/2" AND 2" METER

1. What type of pit setting is required?
+
2. What type of inlet valve is required?
+ (insert dash)
3. What type of outlet valve is required?
+ (insert dash)
4. What meter size is required?
+
5. What type of inlet connection is required?
+ (see note below)
6. What type of outlet connection is required?
+ (see note below)
7. What pit depth is required?
(Depth is measured from ground level to service line.
The service line is 4" higher than bottom of pit setter.)

SETTING TYPE	CODE	PRICE	
		1-1/2" SETTER	2" SETTER
Standard for Monitor Cover	PM	\$ 3032.54	\$ 3375.99
Standard for Single Lid Cover	PS	3102.53	3446.00
Standard for Double Lid Cover	PD	2985.87	3329.29
* Tandem for Monitor Cover	PTM	3726.41	4104.59
* Tandem for Single Lid Cover	PTS	3796.45	4174.57
* Tandem for Double Lid Cover	PTD	3679.73	4057.91

INLET VALVE TYPE	CODE	1-1/2" SETTER	2" SETTER
Angle Key Valve	V	Standard	Standard
Angle Ball Valve	B	103.65	77.85

OUTLET VALVE TYPE	CODE	1-1/2" SETTER	2" SETTER
Angle Ball Valve	B	73.42	50.78
Angle Key Valve	V	-30.22	-27.05
Angle Check Valve	H	Standard	Standard
Angle Dual Check Valve	HH	140.52	61.11
Flanged Ell (no by-pass)	L	-137.31	-180.97

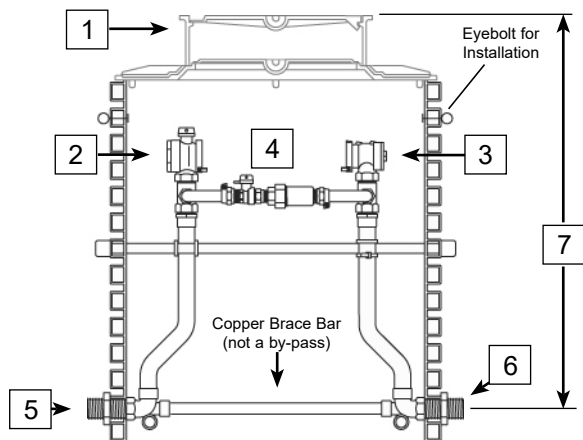
METER SIZE	CODE	1-1/2" SETTER	2" SETTER
1-1/2" Meter	6	Standard	N/A
2" Meter	7	N/A	Standard

INLET TYPE	CODE	1-1/2" SETTER	2" SETTER
Male Iron Pipe	8	Standard	Standard

OUTLET TYPE	CODE	1-1/2" SETTER	2" SETTER
Male Iron Pipe	8	Standard	Standard

APPROX. PIT DIAMETER AND DEPTH	CODE	1-1/2" SETTER	2" SETTER
** 36" x 36"	36HB-36-NL	Standard	Standard
36" x 42"	36HB-42-NL	\$ 167.40	\$ 180.98
36" x 48"	36HB-48-NL	314.48	345.17
36" x 54"	36HB-54-NL	516.04	562.34
36" x 60"	36HB-60-NL	663.77	725.70
36" x 66"	36HB-66-NL	894.27	979.63
36" x 72"	36HB-72-NL	1013.04	1106.17
36" x 78"	36HB-78-NL	1243.61	1360.15

**F
A**



1-1/2" Pit Setter Shown with Optional Dual Check Valve in By-Pass

NOTE: Prices above do not include covers and extension rings which are listed in catalog section D.

1-1/2" and 2" pit setters are standard with a high by-pass. (2" pit setters have the by-pass opposite side from the side shown.) The by-pass can be deleted by omitting the "HB" from the catalog number and deducting \$ -360.54 from the price. Example: PMBHH-688-36-60-NL

For optional dual cartridge check valve in by-pass, insert "HC" into the catalog number and add \$ 287.72 to the price. Example: PMBHH-688-36HBHC-60-NL

Optional test port for dual check 1-1/2" and 2" pit setters is available. See page F-37 of catalog for more information.

HOW TO ORDER A PLASTIC PIT SETTER :

Answer each question to create a catalog number. The catalog codes will build the plastic pit setter that meets your setting requirements. To price, add the prices of the codes together.

PART NUMBER EXAMPLE:

PMBHH-688-36HB-60-NL = A standard monitor cover style plastic pit setter with an inlet angle ball valve, outlet angle dual check valve, 1-1/2" meter, inlet connection for male iron pipe, outlet connection for male iron pipe, high by-pass and a pit diameter and depth of 36" x 60". Valves and fittings in contact with potable water are of no-lead alloy.

PRICE EXAMPLE:

PMBHH-688-36HB-60-NL price is: \$ 3032.54 + \$ 103.65 + \$ 140.52 + 0.00 + 0.00 + 0.00 + \$ 663.77 = \$ 3940.48

Note: Inlet and outlet connections are 1-1/2" in size, for 1-1/2" meter settings, 2" for 2" meters.

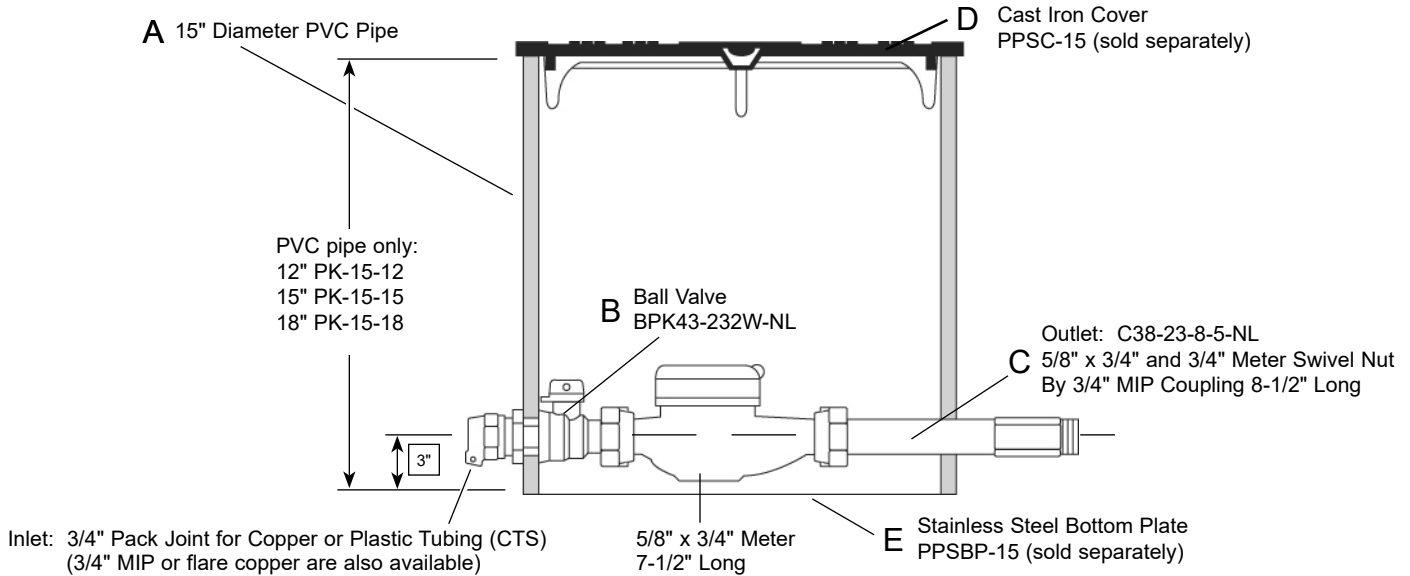
Meter spacing is 17" for 2" meters, 13" for 1-1/2" meters.

Female iron pipe by Pack Joint couplings are used to provide PET, PEP or PVC inlet-outlet combinations (see catalog section J) and are sold separately.

* Meter flange S-tube is supplied. Provide PRV length and connection type with order. PRV adapters are sold separately.

** 36" high tandem not available with high by-pass for 2" meters.

**STANDARD 15" DIAMETER STYLE "K" PIT SETTER
FOR 5/8" X 3/4" METERS
(For Moderate Climates)**



3/4" MALE IRON PIPE THREAD INLET BY 3/4" MALE IRON PIPE THREAD OUTLET

CATALOG NUMBER	DESCRIPTION	WEIGHT	LIST PRICE
PK288-15-12-NL	12" High Pit Setter (less lid and bottom plate)	-	\$ 291.78
PK288-15-15-NL	15" High Pit Setter (less lid and bottom plate)	-	304.86
PK288-15-18-NL	18" High Pit Setter (less lid and bottom plate)	-	318.00

3/4" FLARED COPPER INLET BY 3/4" MALE IRON PIPE THREAD OUTLET

CATALOG NUMBER	DESCRIPTION	WEIGHT	LIST PRICE
PK228-15-12-NL	12" High Pit Setter (less lid and bottom plate)	-	\$ 302.51
PK228-15-15-NL	15" High Pit Setter (less lid and bottom plate)	-	315.64
PK228-15-18-NL	18" High Pit Setter (less lid and bottom plate)	-	328.82

3/4" PACK JOINT FOR COPPER OR PLASTIC TUBING INLET BY 3/4" MALE IRON PIPE THREAD OUTLET

CATALOG NUMBER	DESCRIPTION	WEIGHT	LIST PRICE
PK248-15-12-NL	12" High Pit Setter (less lid and bottom plate)	-	\$ 308.28
PK248-15-15-NL	15" High Pit Setter (less lid and bottom plate)	-	321.42
PK248-15-18-NL	18" High Pit Setter (less lid and bottom plate)	-	334.58

Grip Joint for CTS can be ordered by adding "-G" to the catalog number.

COMPONENTS FOR STANDARD 15" "K" PIT SETTER

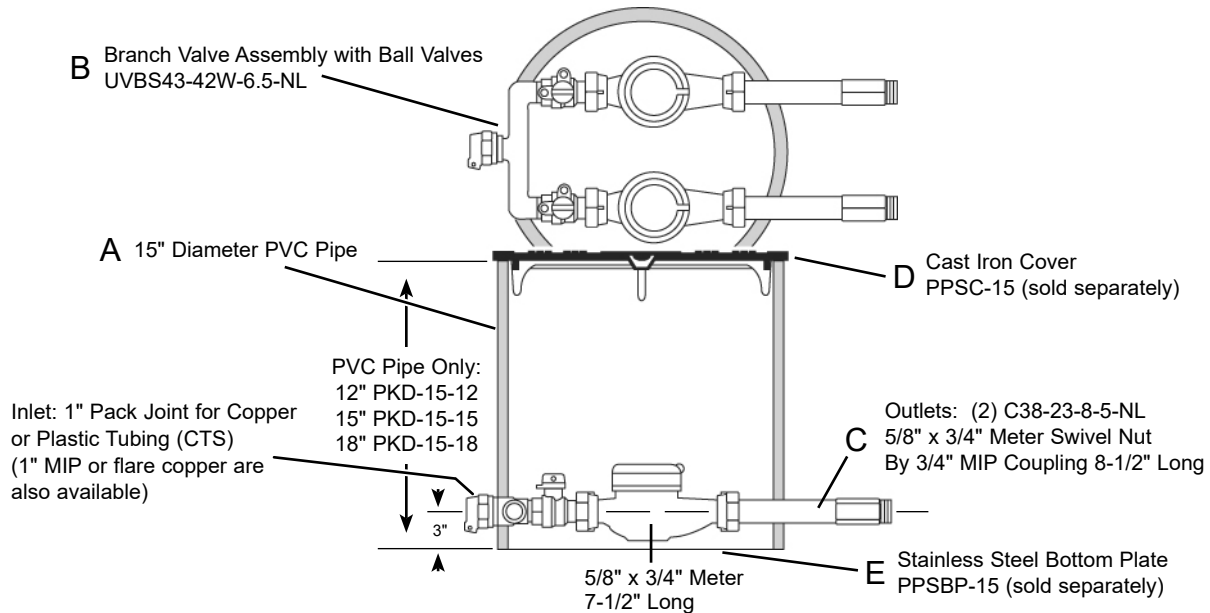
CATALOG NUMBER	COMPONENT CATEGORY	DESCRIPTION	LIST PRICE
PK-15-12	A	Plastic Pit Only - 12" High	\$ 145.31
PK-15-15	A	Plastic Pit Only - 15" High	159.22
PK-15-18	A	Plastic Pit Only - 18" High	173.17
BPK83-232W-NL	B	Ball Valve for 3/4" Male Iron Pipe	78.61
BPK23-232W-NL	B	Ball Valve for 3/4" Flared Copper	89.36
* BPK43-232W-NL	B	Ball Valve for 3/4" Pack Joint for Copper or Plastic Tubing (CTS)	95.06
C38-23-8-5-NL	C	5/8" x 3/4" Meter Swivel Nut x 3/4" Male Iron Pipe Coupling - 8-1/2" Long	40.25
** PPSC-15	D	Flat Cast Iron Lid	72.61
PPSBP-15	E	Stainless Steel Bottom Plate	116.48
PPSBP-15-P	E	Plastic Bottom Plate	84.35
Add "R" to Catalog Number		360-Degree Turn Ball Valve	1.67

* Grip Joint for CTS can be ordered by inserting "-G" into the catalog number. Example: BPK43-232W-G-NL

COMPONENT PARTS IN CATEGORIES A, B, AND C ARE STANDARD. COMPONENTS IN CATEGORIES D AND E AS WELL AS 360-DEGREE TURNING BALL VALVES ARE OPTIONAL AND MUST BE ORDERED SEPARATELY.

** Lid options listed in catalog section D.

STANDARD 15" DIAMETER STYLE "K" PIT SETTER FOR DUAL 5/8" X 3/4" METER SETTING



1" MALE IRON PIPE THREAD INLET BY 3/4" MALE IRON PIPE THREAD OUTLETS

CATALOG NUMBER	DESCRIPTION	WEIGHT	LIST PRICE
PKD288-15-12-NL	12" High Pit Setter (less lid and bottom plate)	-	\$ 429.14
PKD288-15-15-NL	15" High Pit Setter (less lid and bottom plate)	-	437.29
PKD288-15-18-NL	18" High Pit Setter (less lid and bottom plate)	-	455.45

1" FLARED COPPER INLET BY 3/4" MALE IRON PIPE THREAD OUTLETS

CATALOG NUMBER	DESCRIPTION	WEIGHT	LIST PRICE
PKD228-15-12-NL	12" High Pit Setter (less lid and bottom plate)	-	\$ 432.01
PKD228-15-15-NL	15" High Pit Setter (less lid and bottom plate)	-	445.14
PKD228-15-18-NL	18" High Pit Setter (less lid and bottom plate)	-	458.31

1" PACK JOINT FOR COPPER OR PLASTIC TUBING INLET BY 3/4" MALE IRON PIPE THREAD OUTLETS

CATALOG NUMBER	DESCRIPTION	WEIGHT	LIST PRICE
PKD248-15-12-NL	12" High Pit Setter (less lid and bottom plate)	-	\$ 440.66
PKD248-15-15-NL	15" High Pit Setter (less lid and bottom plate)	-	448.75
PKD248-15-18-NL	18" High Pit Setter (less lid and bottom plate)	-	461.89

COMPONENTS FOR STANDARD 15" "K" PIT SETTER

CATALOG NUMBER	COMPONENT CATEGORY	DESCRIPTION	LIST PRICE
PKD-15-12	A	Plastic Pit Only - 12" High	\$ 145.31
PKD-15-15	A	Plastic Pit Only - 15" High	159.22
PKD-15-18	A	Plastic Pit Only - 18" High	173.17
UVBS23-42W-65-NL	B	Branch Valve Assembly 6-1/2" Spacing w/ Ball Valves 1" Flared Copper to 5/8" x 3/4" Meter Swivel Nut	190.87
* UVBS43-42W-65-NL	B	Branch Valve Assembly 6-1/2" Spacing w/ Ball Valves 1" Copper Pack Joint to 5/8" x 3/4" Meter Swivel Nut	193.19
UVBS83-42W-65-NL	B	Branch Valve Assembly 6-1/2" Spacing w/ Ball Valves 1" Male Iron Pipe to 5/8" x 3/4" Meter Swivel Nut	181.09
C38-23-8-5-NL	C	5/8" x 3/4" Meter Swivel Nut x 3/4" Male Iron Pipe Coupling - 8-1/2" Long	40.25
** PPSC-15	D	Flat Cast Iron Lid	72.61
PPSBP-15	E	Stainless Steel Bottom Plate	116.48
PPSBP-15-P	E	Plastic Bottom Plate	84.35
Add "R" to Catalog Number		360 Degree Turn Ball Valve	1.67

* Grip Joint for CTS can be ordered by inserting "-G" into the catalog number. Example: UVBS43-42W-65-G-NL

COMPONENT PARTS IN CATEGORIES A, B, AND C ARE STANDARD. COMPONENTS IN CATEGORIES D AND E AS WELL AS 360-DEGREE TURNING BALL VALVES ARE OPTIONAL AND MUST BE ORDERED SEPARATELY.

** Lid options listed in catalog section D.

FA

Ford Coil Pit Setter Numbering System

TYPE OF PLASTIC COIL PIT SETTER
 PFC = Standard Single Setting
 PDFC = Dual Setting (5/8" x 3/4", 18" tile only)
 PTFC = Tandem Setting

INLET VALVE TYPE
 V = Angle Key Valve
 * B = Angle Ball Valve

METER SIZE (INLET - OUTLET SIZE)
 1 = 5/8" (3/4")
 2 = 5/8" x 3/4" (3/4")
 3 = 3/4" (3/4")
 4 = 1" (1")
 (The number in the parentheses is the standard inlet-outlet size for a given meter size.)

DEPTH
 36"
 42"
 48"
 54"
 60"
 66"
 72"
 78"
 84"
 90"
 96"

FULL PORT BALL VALVE **NO-LEAD**

PFCBHH-288-15-72A-FP-NL

OUTLET VALVE TYPE
 V = Angle Key Valve
 *B = Angle Ball Valve
 H = Angle Check Valve
 Δ HH = Angle Cascading Dual Check Valve
 **HC = Angle Cartridge Dual Check Valve
 L = ELL (no valve)

TYPE OF INLET - OUTLET
 8 = Male Iron Pipe Threads

TILE DIAMETER
 15 = 15"
 18 = 18"

Optional 1" tubing and MIP service connections for 5/8", 5/8" x 3/4" and 3/4" setters - NOT AVAILABLE on 15" tiles or dual settings.

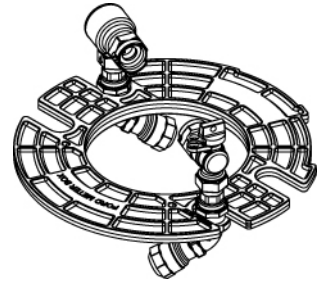
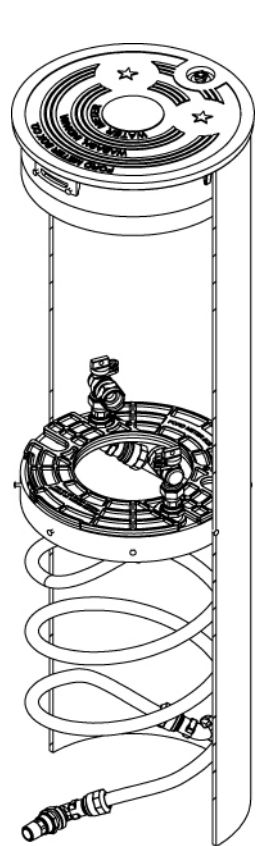
* Angle ball valve is a one-way directional valve designed for the inlet side of the meter and should not be used as a customer shut-off on the customer side of the meter. Setters with angle ball valves will be reduced port, unless otherwise specified. Reduced port valves usually provide suitable water flow. Add "-FP" to end of catalog number for full port.

Δ Angle cascading dual check valve contains 3/4" internal components. This valve meets the ASSE flow requirements of a 1" valve. For a full port valve, order the cartridge style check valve.

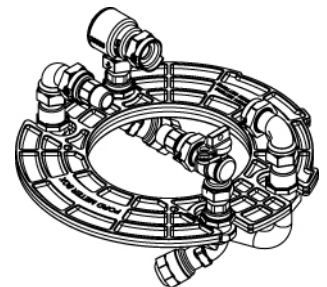
** 3/4" and 1" cartridges with enhanced chlorine/chloramine resistance are available. Insert "CR" at end of the alpha code. Example: PFCBHCCR-388-16-60-NL

If PRV lengths are outside of range (see chart below) or have connections other than FNPT, contact factory for price and availability.

FA



15" Single (5/8" x 3/4") Setting Ball Valve x Dual Check Valve



15" Tandem Setting (5/8" x 3/4") Ball Valve x Dual Check Valve

STANDARD COIL PIT SETTER PRV LENGTH RANGE

CATALOG NAME	MIN	MAX
5/8" METER SETTING		
15" Tile	4-1/4"	5-1/4"
15" Tile w/Full Port Ball Valve	3-1/2"	4-1/2"
5/8" x 3/4" METER SETTING		
15" Tile	4"	4-3/4"
15" Tile w/Full Port Ball Valve	3-3/8"	4-1/8"
18" Tile	4-1/2"	5-3/4"
18" Tile w/Full Port Ball Valve	3-7/8"	4-7/8"
3/4" METER SETTING		
18" Tile	4-5/8"	6-5/8"
18" Tile w/Full Port Ball Valve	4-1/8"	6-1/8"
1" METER SETTING		
18" Tile	4-1/4"	4-1/4"
18" Tile w/Full Port Ball Valve	3-1/2"	3-3/4"

PRV lengths with connections other than FNPT or lengths outside of the range, please contact factory for price and availability.

**15" DIAMETER COIL PIT SETTER WITH SINGLE OR TANDEM SETTINGS
FOR 5/8", OR 5/8" X 3/4" METERS**

1. What type of pit setting is required?
- +
2. What type of inlet valve is required?
- +
3. What type of outlet valve is required?
- + (insert dash)
4. What meter size is required?
- +
5. What type of inlet connection is required?
(see note below)
- +
6. What type of outlet connection is required?
(see note below)
- + (insert dash)
7. What pit diameter and depth is required?
(Depth is measured from ground level to service line.
The service line is 4" higher than bottom of pit setter.)

SETTING TYPE	CODE	LIST PRICE
Coil Pit Setter-Single	PFC	\$ 905.80
Coil Pit Setter-Tandem	PTFC	1011.92

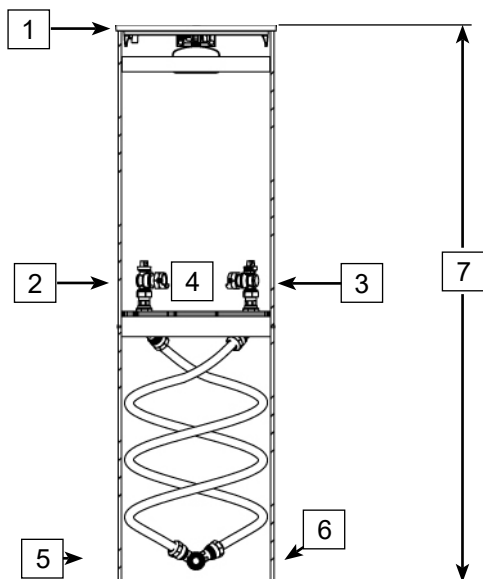
INLET VALVE TYPE	CODE	SINGLE OR TANDEM
		SETTING LIST PRICE
Angle Ball Valve (reduced port)	B	Standard
Angle Key Valve	V	\$ -9.76
Angle Ball Valve (full port with 360° rotation)	B*(-FP-R)	49.81

OUTLET VALVE TYPE	CODE	SINGLE OR TANDEM
		SETTING LIST PRICE
Angle Cascading Dual Check Valve	HH	Standard
Angle Single Check Valve	H	\$ -41.91
EII	L	-67.46
Angle Ball Valve (reduced port)	B	-36.85
Angle Key Valve	V	-46.61
Angle Ball Valve (full port)	B*(-FP-R)	9.60

METER SIZE	CODE	SINGLE OR TANDEM
		SETTING LIST PRICE
5/8"	1	-
5/8" x 3/4"	2	-

SERVICE LINE	CODE	SINGLE OR TANDEM
		SETTING LIST PRICE
3/4" MIP Inlet and Outlet	88	Standard

TILE DIAMETER AND HEIGHT	CODE	SINGLE OR TANDEM
		SETTING LIST PRICE
15" x 36"	15-36-NL	Standard
15" x 42"	15-42-NL	\$ 18.34
15" x 48"	15-48-NL	48.91
15" x 54"	15-54-NL	68.00
15" x 60"	15-60-NL	85.59
15" x 66"	15-66-NL	121.94
15" x 72"	15-72-NL	141.21
15" x 78"	15-78-NL	160.46
15" x 84"	15-84-NL	201.73
15" x 90"	15-90-NL	221.90
15" x 96"	15-96-NL	242.08



Note: Regulator adapters are furnished with standard coil pits. For PRV lengths with end connections other than FNPT or lengths outside of range, see chart on page FA-8. Contact factory for price and availability.

* Setters with angle ball valves will be reduced port unless otherwise requested. Reduced port valves usually provide suitable water flow. Add "-FP-R" to end of catalog number for full port. Full port ball valves shall have a 360° tee-head rotation.
Example: PFCBH-288-15-48-FP-R-NL

All prices are subject to change without notice. Please contact The Ford Meter Box Company.

**18" DIAMETER COIL PIT SETTER WITH SINGLE OR TANDEM SETTINGS
FOR 5/8" OR 5/8" X 3/4" AND 3/4" METERS**

1. What type of pit setting is required?

5/8" or 5/8" x 3/4" Meters		
SETTING TYPE	CODE	LIST PRICE
Coil Pit Setter-Single	PFC	\$ 982.00
Coil Pit Setter-Tandem	PTFC	1088.14
Coil Pit Setter-Dual	PDFC	1676.16

+

3/4" Meters		
SETTING TYPE	CODE	LIST PRICE
Coil Pit Setter-Single	PFC	\$ 948.47
Coil Pit Setter-Tandem	PTFC	1054.60
Coil Pit Setter-Dual	**PDFC	1676.16

2. What type of inlet valve is required?

INLET VALVE TYPE	CODE	SINGLE OR TANDEM SETTING LIST PRICE	DUAL SETTING LIST PRICE
Angle Ball Valve (reduced port)	B	Standard	Standard
Angle Key Valve	V	\$ -9.76	\$ -19.52
Angle Ball Valve (full port)	B*(-FP)	50.13	100.26

+

3. What type of outlet valve is required?

OUTLET VALVE TYPE	CODE	SINGLE OR TANDEM SETTING LIST PRICE	DUAL SETTING LIST PRICE
Angle Cascading Dual Check Valve	HH	Standard	Standard
Angle Single Check Valve	H	\$ -41.91	\$ -83.80
Eil	L	-67.46	-134.91
Angle Ball Valve (reduced port)	B	-36.85	-73.71
Angle Key Valve	V	-46.61	-93.24
Angle Ball Valve (full port)	B*(-FP)	9.60	19.20
Angle Cartridge Dual Check Valve	HC	48.57	97.13

+ (insert dash)

4. What meter size is required?

METER SIZE	CODE	SINGLE OR TANDEM SETTING LIST PRICE	DUAL SETTING LIST PRICE
5/8"	1	-	-
5/8" x 3/4"	2	-	-
3/4"	3	-	-

+

5. What type of inlet connection is required?
(see note below)

SERVICE LINE	CODE	SINGLE OR TANDEM SETTING LIST PRICE	DUAL SETTING LIST PRICE
3/4" MIP Inlet and Outlet	88	Standard	-
1" MIP x (2) 3/4" MIP	88	-	Standard

6. What type of outlet connection is required?
(see note below)

+ (insert dash)

7. What pit diameter and depth is required?
(Depth is measured from ground level to service line.
The service line is 4" higher than bottom of pit setter.)

TILE DIAMETER AND HEIGHT	CODE	SINGLE OR TANDEM SETTING LIST PRICE	DUAL SETTING LIST PRICE
18" x 36"	18-36-NL	Standard	N/A
18" x 42"	18-42-NL	\$ 23.51	\$ 129.42
18" x 48"	18-48-NL	59.24	149.85
18" x 54"	18-54-NL	87.24	177.84
18" x 60"	18-60-NL	107.30	197.91
18" x 66"	18-66-NL	149.08	247.17
18" x 72"	18-72-NL	173.77	271.85
18" x 78"	18-78-NL	198.44	296.53
18" x 84"	18-84-NL	247.14	352.69
18" x 90"	18-90-NL	272.99	378.54
18" x 96"	18-96-NL	298.84	404.40

3/4" MIP inlet-outlet and tubing are standard. For 1" MIP inlet-outlet and tubing add "A" to end of the catalog number. This option is not available on dual settings.
Example: PFCBH-288-18-60A-NL

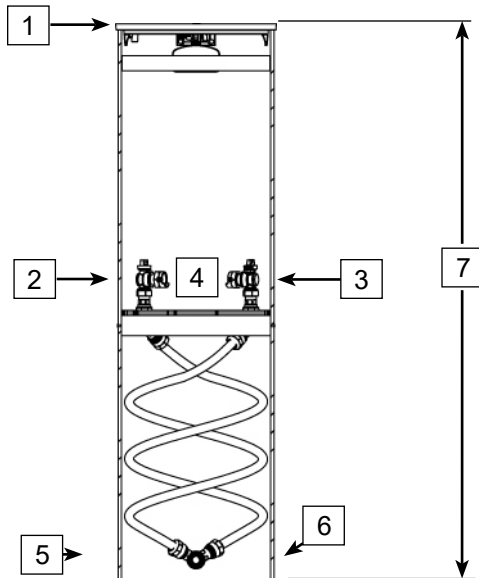
1" COIL TUBING	CODE	LIST PRICE
36" to 42"	A	\$ 69.46
48" to 60"	A	76.13
66" to 78"	A	86.30
84" to 96"	A	97.12

Note: Regulator adapters are furnished with standard coil pits. For PRV lengths with end connections other than FNPT or lengths outside of range, see chart on page FA-8. Contact factory for price and availability.

* Setters with angle ball valves will be reduced port unless otherwise requested. Reduced port valves usually provide suitable water flow. Add "-FP" to end of catalog number for full port.
Example: PFCBHH-288-18-48-FP-NL

** Dual pit setters for 3/4" meters, requiring full port ball valves, shall have a 360° tee-head rotation. Example: PDFCBB-388-18-36-FP-R-NL

All prices are subject to change without notice. Please contact The Ford Meter Box Company.



**18" DIAMETER COIL PIT SETTER WITH SINGLE OR TANDEM SETTINGS
FOR 1" METERS**

1. What type of pit setting is required?
+
2. What type of inlet valve is required?
+
3. What type of outlet valve is required?
+ (insert dash)
4. What meter size is required?
+
5. What type of inlet connection is required?
+ (see note below)
6. What type of outlet connection is required?
+ (see note below)
7. What pit diameter and depth is required?
(Depth is measured from ground level to service line.
The service line is 4" higher than bottom of pit setter.)

SETTING TYPE	CODE	LIST PRICE
Coil Pit Setter-Single	PFC	\$ 1305.76
Coil Pit Setter-Tandem	PTFC	1528.36

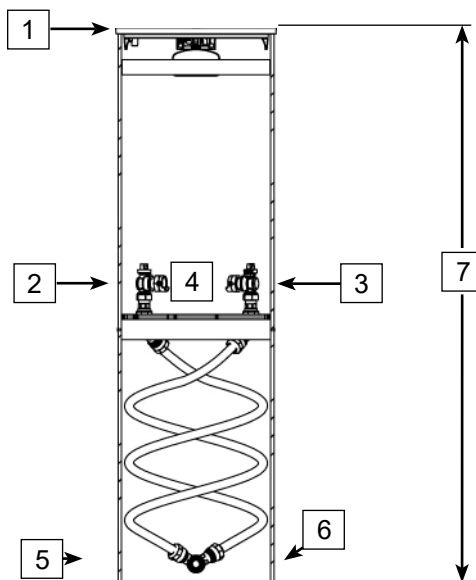
INLET VALVE TYPE	CODE	LIST PRICE
* Angle Ball Valve (reduced port with 360° rotation)	B(-R)	Standard
Angle Key Valve	V	\$ -41.11
** Angle Ball Valve (full port)	B*(-FP)	45.15

OUTLET VALVE TYPE	CODE	LIST PRICE
△ Angle Cascading Dual Check Valve	HH	Standard
Angle Cartridge Dual Check Valve	HC	\$ 87.37
Angle Cartridge Dual Check Valve with Chorine/ Chloramine Enhanced Resistance	HCCR	129.86
Angle Single Check Valve	H	-35.49
EII	L	-59.50
* Angle Ball Valve (reduced port with 360° rotation)	B(-R)	16.61
Angle Key Valve	V	-26.01
** Angle Ball Valve (full port)	B*(-FP)	61.76

METER SIZE	CODE	LIST PRICE
1"	4	-

SERVICE LINE	CODE	LIST PRICE
1" MIP Inlet and Outlet	88	Standard

TILE DIAMETER AND HEIGHT	CODE	LIST PRICE
18" x 36"	18-36-NL	Standard
18" x 42"	18-42-NL	\$ 25.05
18" x 48"	18-48-NL	59.90
18" x 54"	18-54-NL	87.94
18" x 60"	18-60-NL	107.60
18" x 66"	18-66-NL	150.85
18" x 72"	18-72-NL	175.87
18" x 78"	18-78-NL	200.92
18" x 84"	18-84-NL	250.13
18" x 90"	18-90-NL	276.38
18" x 96"	18-96-NL	302.60

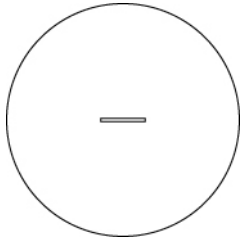


Note: Regulator adapters are furnished with standard coil pits. For PRV lengths with end connections other than FNPT or lengths outside of range, see chart on page FA-8. Contact factory for price and availability.

- * Setters with angle ball valves will be reduced port unless otherwise requested. Reduced port valves usually provide suitable water flow.
- △ Angle cascading dual check valve contains 3/4" internal components. This valve meets the ASSE flow requirements of a 1" valve. For a full port valve order the cartridge style check valve.
- ** Add "-FP" to end of catalog number for full port.
Example: PFCBH-488-18-48-FP-NL (FP = Full port angle ball valve with standard tee-head). Add "-FP-R" where 360° rotation is required - see below. Example: PTFCBH-488-18-36-FP-R-NL
- *** **All setters for 1" meters - If ordered with reduced port or full port ball valves, both have a 360° tee-head rotation, except single coil pits with full port ball valves.**



CLOSED CELL INSULATING DISCS



CATALOG NUMBER	METER PIT DIAMETER	APPROX. WT. LBS.	LIST PRICE
CCID-15	15"	0.3	\$ 30.72
CCID-15-2	15"	0.3	30.72
CCID-15-4	15"	0.5	47.49
CCID-15-6	15"	0.75	72.51
CCID-18	18"	0.5	45.39
CCID-18-2	18"	0.5	45.39
CCID-18-4	18"	0.8	67.92
CCID-18-6	18"	1.1	101.71
CCID-20	20"	0.5	54.09
CCID-24	24"	0.7	79.72
• CCID-36-2-2	36"	2.2	348.19
• CCID-36-4-2	36"	3.3	410.42

• Two-piece with removable center access plug for viewing the meter register.
Special meter depth may be required on meter pits depending on lid type and disc thickness. Contact factory for further information.

COIL PIT IRON DRIVEWAY COVER, FRAME AND LID

**F
A**



CATALOG NUMBER	*LID SIZE	APPROX. WT. LBS.	LIST PRICE
COVER, FRAME AND LOCKING LID			
A51H	15"	65.0	\$ 352.43
A62H	18"	74.0	426.96
COVER AND FRAME WITH ELECTRONIC READ LOCKING LID			
A51H-T	15"	65.0	356.11
A62H-T	18"	74.0	430.64
COVER AND FRAME WITH DOUBLE ELECTRONIC READ LOCKING LID			
A51H-TT	15"	65.0	359.79
A62H-TT	18"	74.0	434.32
COVER AND FRAME WITH RECESSED ELECTRONIC READ LOCKLESS LID			
A51H-LL-REC-T	15"	70.0	359.98
IRON FRAME ONLY			
*PFC15F	15"	30.0	169.86
*PFC18F	18"	39.0	196.82
LOCKING LID ONLY			
WA5LH	15"	35.0	182.56
WA6LH	18"	35.0	230.15
LOCKING ELECTRONIC READ LID ONLY			
WA5LH-T	15"	35.0	186.24
WA6LH-T	18"	35.0	233.83
LOCKING DOUBLE ELECTRONIC READ LID ONLY			
WA5LH-TT	15"	35.0	189.92
WA6LH-TT	18"	35.0	237.51

* Lid size indicates approximate pit access opening; actual lid diameter is approximately 1" larger.
Note: Frames cannot be used with standard coil pit flat lids. Must be used with these matching lids only.

COIL PIT ACCESS RODS AND EXTENSION RINGS



COIL PIT METER PLATFORM ACCESS RODS

CATALOG NUMBER	METER SIZE	SERVICE LINE DEPTH	APPROX. WT. LBS.	LIST PRICE
CPLR-2-36	5/8" or 5/8" x 3/4"	Up to 60"	5.0	\$ 146.88
CPLR-2-48	5/8" or 5/8" x 3/4"	Up to 72"	6.0	153.02
CPLR-2-60	5/8" or 5/8" x 3/4"	Up to 84"	7.0	159.16
CPLR-2-72	5/8" or 5/8" x 3/4"	Up to 96"	8.0	165.29
CPLR-3-36	3/4"	Up to 60"	5.0	146.88
CPLR-3-48	3/4"	Up to 72"	6.0	153.02
CPLR-3-60	3/4"	Up to 84"	7.0	159.16
CPLR-3-72	3/4"	Up to 96"	8.0	165.29
CPLR-4-36	1"	Up to 60"	5.0	146.88
CPLR-4-48	1"	Up to 72"	6.0	153.02
CPLR-4-60	1"	Up to 84"	7.0	159.16
CPLR-4-72	1"	Up to 96"	8.0	165.29

Rods are sold by meter pit size and service line depth.



COIL PIT EXTENSION RINGS

EXTENSION LENGTH	15" DIAMETER TILE	APPROX. WT. LBS.	LIST PRICE	18" DIAMETER TILE	APPROX. WT. LBS.	LIST PRICE
2"	CPS-EXT15-2	1.7	\$ 36.05	CPS-EXT18-2	2.5	\$ 40.55
4"	CPS-EXT15-4	3.3	50.94	CPS-EXT18-4	4.8	60.98
6"	CPS-EXT15-6	4.9	65.84	CPS-EXT18-6	7.2	81.42
8"	CPS-EXT15-8	6.5	80.73	CPS-EXT18-8	9.6	101.85
10"	CPS-EXT15-10	8.2	95.63	CPS-EXT18-10	12.0	122.29
12"	CPS-EXT15-12	9.6	110.53	CPS-EXT18-12	14.3	142.73

Standard coil pits can accommodate up to a maximum 12" extension ring.
Extension lengths are in 2" increments from 2" to 12" for each tile diameter.

COIL PIT LIDS AND BOTTOM PLATES

15" CAST IRON FLAT LIDS

CATALOG NUMBER	SIZE	APPROX. WT. LBS.	LIST PRICE
LOCKLESS LIDS			
PPSC-15	15"	20.0	\$ 72.61
LOCKING LIDS			
PPSC-15-L	15"	20.0	72.61
LOCKING LIDS WITH PLASTIC ERT BRACKET			
PPSC-15-L-BR	15"	20.0	95.39
LOCKING ELECTRONIC READ LID			
PPSC-15-L-T	15"	20.0	76.29
LOCKING DOUBLE ELECTRONIC READ LID			
PPSC-15-L-TT	15"	20.0	79.97
RECESSED LOCKING ELECTRONIC READ LID			
PPSC-15-L-REC-T	15"	20.0	81.53
LOCKLESS ELECTRONIC READ LID			
PPSC-15-T	15"	20.0	76.29
DOUBLE LOCKLESS ELECTRONIC READ LID			
PPSC-15-TT	15"	20.0	79.97
RECESSED LOCKLESS ELECTRONIC READ LID			
PPSC-15-REC-T	15"	17.2	81.53
RECESSED LOCKLESS ELECTRONIC READ LID (EXTRA HEAVY)			
PPSCH-15-REC-T	15"	40.5	190.12

18" CAST IRON FLAT LIDS

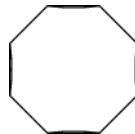
CATALOG NUMBER	SIZE	APPROX. WT. LBS.	LIST PRICE
LOCKLESS LIDS			
PPSC-18	18"	28.0	\$ 134.54
LOCKING LIDS			
PPSC-18-L	18"	28.0	134.54
LOCKING LIDS WITH PLASTIC ERT BRACKET			
PPSC-18-L-BR	18"	28.0	157.32
LOCKING ELECTRONIC READ LID			
PPSC-18-L-T	18"	28.0	138.22
LOCKING DOUBLE ELECTRONIC READ LID			
PPSC-18-L-TT	18"	28.0	141.90
RECESSED LOCKING ELECTRONIC READ LID			
PPSC-18-L-REC-T	18"	27.0	143.46
LOCKLESS ELECTRONIC READ LID			
PPSC-18-T	18"	28.0	138.22
DOUBLE LOCKLESS ELECTRONIC READ LID			
PPSC-18-TT	18"	28.0	141.90

H-20 RATED COMPOSITE FLAT LIDS

CATALOG NUMBER	SIZE	APPROX. WT. LBS.	LIST PRICE
LOCKING LIDS			
PPSC-15-L-P	15"	18.5	\$ 207.43
LOCKING LIDS WITH PLASTIC ERT BRACKET			
PPSC-15-L-P-BR	15"	18.8	212.87

CATALOG NUMBER	SIZE	APPROX. WT. LBS.	LIST PRICE
LOCKING LIDS			
PPSC-18-L-P	18"	27.0	\$ 252.05
LOCKING LIDS WITH PLASTIC ERT BRACKET			
PPSC-18-L-P-BR	18"	27.3	257.49

FA



STAINLESS STEEL BOTTOM PLATE

CATALOG NUMBER	SIZE	APPROX. WT. LBS.	LIST PRICE
PPSBP-15	15.3"	3.3	\$ 116.48

CATALOG NUMBER	SIZE	APPROX. WT. LBS.	LIST PRICE
*PPSBP-18H	18.7"	4.2	\$ 121.62

* For use on all coil pit setters and pit setters with heavy wall tile.



SOLID PLASTIC BOTTOM PLATE

CATALOG NUMBER	SIZE	APPROX. WT. LBS.	LIST PRICE
PPSBP-15-P	15.3"	1.0	\$ 84.35

CATALOG NUMBER	SIZE	APPROX. WT. LBS.	LIST PRICE
*PPSBP-18H-P	18.7"	2.0	\$ 88.07

* For use on all coil pit setters and pit setters with heavy wall tile.