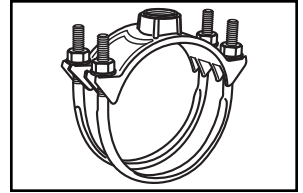


SUBMITTAL INFORMATION

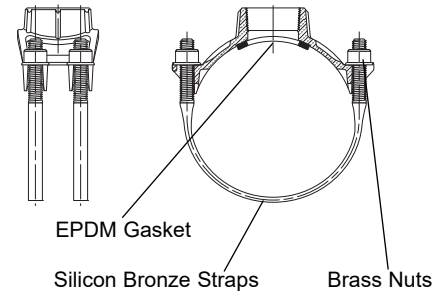
Brass Saddles - (202B-xxx-xxx style)



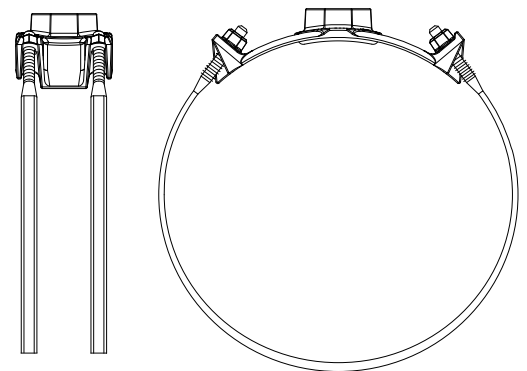
202B DOUBLE STRAP BRASS SADDLES FOR AC AND DUCTILE IRON PIPE

NOM. PIPE SIZE	O.D. RANGE	APPROX. WT. LBS.	CATALOG NUMBER	✓ SUBMITTED ITEM(S)
*4"	4.80 - 5.40	6.6	202B-540-Tap	
	4.80 - 5.10	7.3	202B-510-Tap	
	5.10 - 5.40	7.3	202B-540-Tap	
**6"	6.90 - 7.50	7.7	202B-750-Tap	
8"	9.05 - 9.62	8.8	202B-962-Tap	
10"	11.10 - 12.12	10.7	202B-1212-Tap	
12"	13.20 - 14.38	11.8	202B-1438-Tap	
**14"	15.30 - 16.25	18.0	202B-1625-Tap	
	16.30 - 17.25	19.1	202B-1725-Tap	
**16"	17.40 - 18.40	23.0	202B-1840-Tap	
	18.50 - 19.25	24.0	202B-1925-Tap	
	19.50 - 20.50	25.0	202B-2050-Tap	
**20"	21.20 - 22.20	25.5	202B-2220-Tap	
	22.50 - 23.50	25.7	202B-2350-Tap	
**24"	23.80 - 24.80	26.0	202B-2480-Tap	
	25.60 - 26.50	26.5	202B-2650-Tap	
**30"	31.74 - 32.74	27.0	202B-3274-Tap	

4" - 12"



14" - 30"



OUTLET TAP CODE

CC (AWWA) THREAD		IP THREAD		✓ SUBMITTED ITEM(S)
THREAD	CODE NUMBER	THREAD	CODE NUMBER	
3/4" CC	CC3	3/4" IP	IP3	
1" CC	CC4	1" IP	IP4	
1-1/4" CC	Δ CC5	1-1/4" IP	Δ IP5	
1-1/2" CC	CC6	1-1/2" IP	IP6	
2" CC	CC7	2" IP	IP7	

Δ Contact factory for availability

* **Please Note:** 4" Saddles with 2" taps have a limited range. Specifically, 4.80 - 5.10 or 5.10 - 5.40. All other tap sizes have the standard 4.80 - 5.40 range.

** Only the 6" (6.90-7.50 range) saddle and 14" saddles and larger are available with a 1-1/4" tap.

To Order: Select the catalog number for the desired pipe range and complete the catalog number by adding the outlet thread tap code. Example: A double strap saddle for 6.90 D.I. pipe with a 3/4" CC thread would be 202B-750-CC3.

FEATURES

- All brass conforms to AWWA Standard C800 (ASTM B62 and ASTM B584, UNS C83600, 85-5-5-5)
- Straps are 5/8" high quality silicon bronze flattened to provide a wider bearing surface against pipe
- Gasket is EPDM rubber ASTM D2000

The Ford Meter Box Company considers the information in this submittal form to be correct at the time of publication. Item and option availability, including specifications, are subject to change without notice. Please verify that your product information is current.



The Ford Meter Box Company, Inc.

P.O. Box 443, Wabash, Indiana U.S.A. 46992-0443

Phone: 260-563-3171 / Fax: 800-826-3487

Overseas Fax: 260-563-0167

www.fordmeterbox.com

02/22/18

Submitted By: