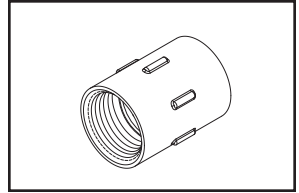
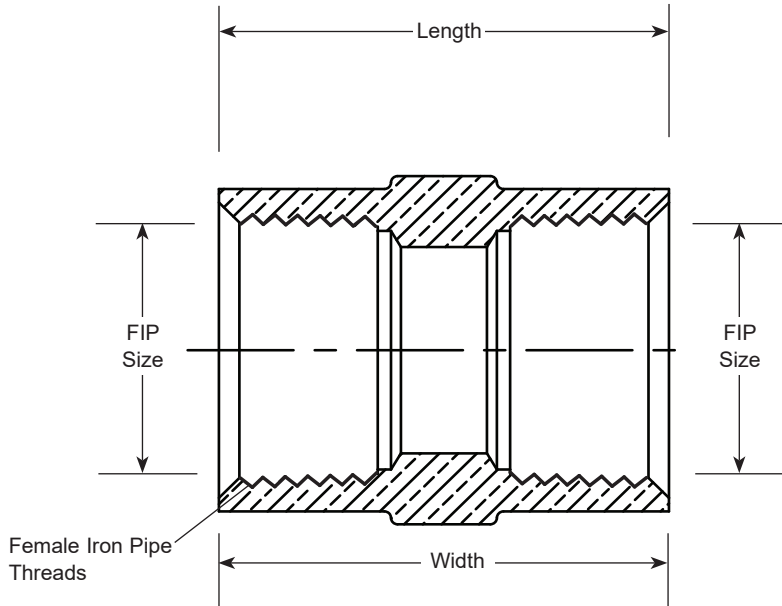


# SUBMITTAL INFORMATION

## Coupling - (C11-xx-NL Style)



### FEMALE IRON PIPE THREAD TO FEMALE IRON PIPE THREAD



FIP SIZE	FIP SIZE	LENGTH	APPROX. Wt. LBS.	CATALOG NUMBER	✓ SUBMITTED ITEM(S)
3/4"	3/4"	1-21/32"	0.3	C11-33-NL	
1"	1"	2-1/8"	0.5	C11-44-NL	
1-1/2"	1-1/2"	2-7/16"	1.4	C11-66-NL	

### FEATURES

- All brass that comes in contact with potable water conforms to AWWA Standard C800 (ASTM B584, UNS C89833)
- The product has the letters "NL" cast into the main body for lead-free identification
- Brass components that do not come in contact with potable water conform to AWWA Standard C800 (ASTM B62 and ASTM B584, UNS C83600, 85-5-5-5)

The Ford Meter Box Company considers the information in this submittal form to be correct at the time of publication. Item and option availability, including specifications, are subject to change without notice. Please verify that your product information is current.



#### The Ford Meter Box Company, Inc.

P.O. Box 443, Wabash, Indiana U.S.A. 46992-0443

Phone: 260-563-3171 / Fax: 800-826-3487

Overseas Fax: 260-563-0167

www.fordmeterbox.com

08/02/16

Submitted By:w