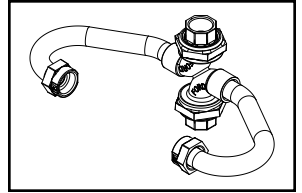
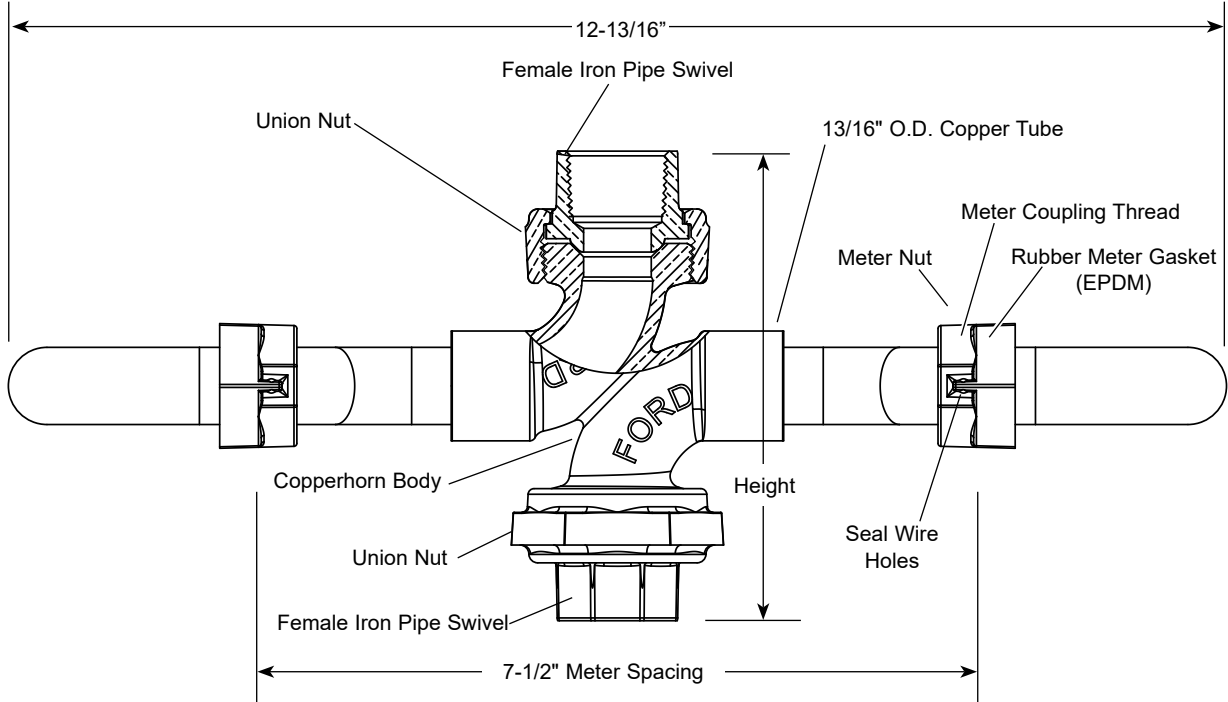


SUBMITTAL INFORMATION

Copperhorns - (CHFSW11-133-NL style)



COPPERHORN WITH CONCAVE DOUBLE PURPOSE UNION SWIVEL BOTH ENDS (5/8" METER)



INLET	OUTLET	APPROX. HEIGHT	APPROX. WT. LBS	CATALOG NUMBER	✓ SUBMITTED ITEM(S)
3/4" Double Purpose Union Swivel	3/4" Double Purpose Union Swivel	4-15/16"	2.8	CHFSW11-133-NL	

FEATURES

- All brass that comes in contact with potable water conforms to AWWA Standard C800 (ASTM B584, UNS C89833)
- The product has the letters "NL" cast into the main body for lead-free identification
- Brass components that do not come in contact with potable water conform to AWWA Standard C800 (ASTM B62 and ASTM B584, UNS C83600, 85-5-5-5)
- Copperhorns automatically ensure proper spacing and orientation for meters
- Permanent electrical bonding is provided without straps
- Copper tubing with full diameter bends provides excellent flow capacity
- Conforms to AWWA C700 for Meter Threads
- Copper conforms to ASTM B75, UNS C12200

The Ford Meter Box Company considers the information in this submittal form to be correct at the time of publication. Item and option availability, including specifications, are subject to change without notice. Please verify that your product information is current.



The Ford Meter Box Company, Inc.

P.O. Box 443, Wabash, Indiana U.S.A. 46992-0443

Phone: 260-563-3171 / Fax: 800-826-3487

Overseas Fax: 260-563-0167

www.fordmeterbox.com

04/21/17

Submitted By: