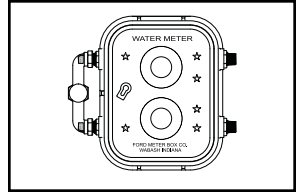
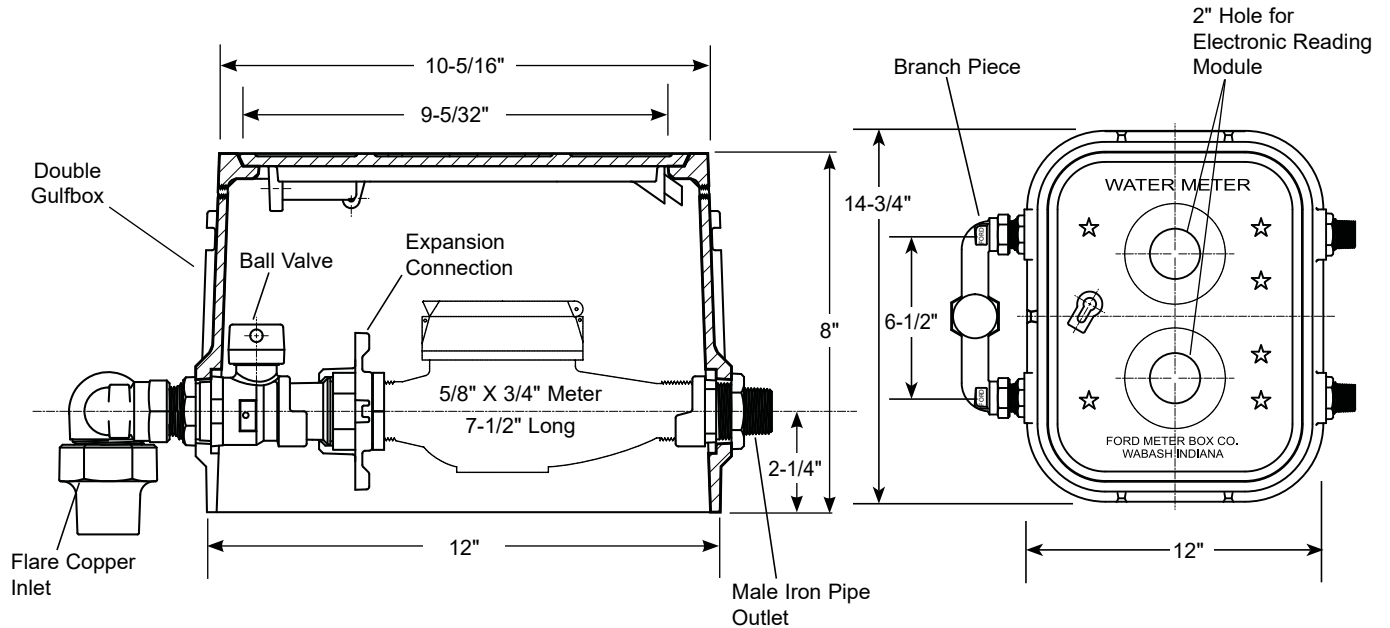


SUBMITTAL INFORMATION

Double Gulfbox - (DG228-243-TT-NL style)



FLARE COPPER INLET BY MALE IRON PIPE OUTLET



METER SIZE	FLARE COPPER INLET LESS NUT	MIP OUTLET	APPROX. WT. LBS.	CATALOG NUMBER	✓ SUBMITTED ITEM(S)
5/8"x3/4"	1"	3/4"	46.5	DG228-243-TT-NL	

FEATURES

- All brass that comes in contact with potable water conforms to AWWA Standard C800 (ASTM B584, UNS C89833)
- The product has the letters "NL" cast into the main body for lead-free identification
- Brass components that do not come in contact with potable water conform to AWWA Standard C800 (ASTM B62 and ASTM B584, UNS C83600, 85-5-5-5)
- Body and lid are cast iron per ASTM A48, Class 25
- The brass end fittings are permanently and properly spaced and aligned for the meter
- Finish is black e-coating
- Locking electronic meter reading lid has 2" precast holes for electronic reading modules

The Ford Meter Box Company considers the information in this submittal form to be correct at the time of publication. Item and option availability, including specifications, are subject to change without notice. Please verify that your product information is current.



The Ford Meter Box Company, Inc.

P.O. Box 443, Wabash, Indiana U.S.A. 46992-0443

Phone: 260-563-3171 / Fax: 800-826-3487

Overseas Fax: 260-563-0167

www.fordmeterbox.com

08/11/16

Submitted By: