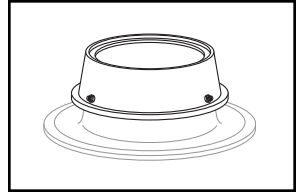
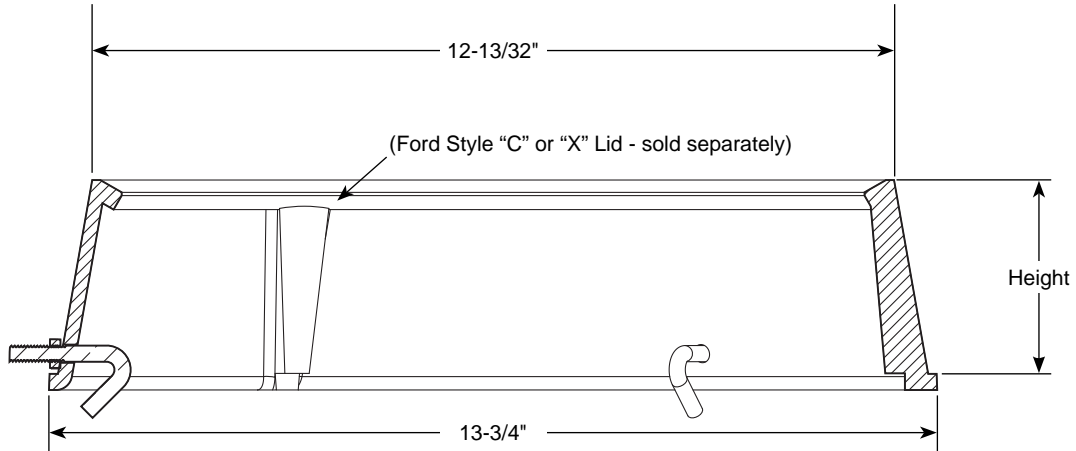


SUBMITTAL INFORMATION

Elevator Ring - (ERxxCX)



ELEVATOR RING TO EXTEND LID HEIGHT FOR STYLE "C" AND "X" COVERS



Lid Size	Approx. Wt. Lbs.	Description	Height	Catalog Number	✓ Submitted Item(s)
11-1/2"	6.8	Elevator Ring for Style C and X Covers	1-1/2"	ER15CX	
	7.8		3"	ER3CX	

FEATURES

- Elevator Rings are cast iron per ASTM A48, Class 25
- Finish is black e-coating
- Elevator rings may be stacked for desired height
- Secured with hook and nut

The Ford Meter Box Company considers the information in this submittal form to be correct at the time of publication. Item and option availability, including specifications, are subject to change without notice. Please verify that your product information is current.



The Ford Meter Box Company, Inc.

P.O. Box 443, Wabash, Indiana U.S.A. 46992-0443

Phone: 260-563-3171 / Fax: 800-826-3487

Overseas Fax: 260-563-0167

<http://www.fordmeterbox.com>

10/06/11

Submitted By: