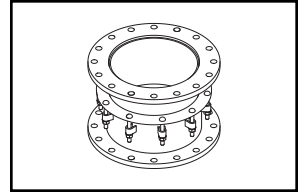
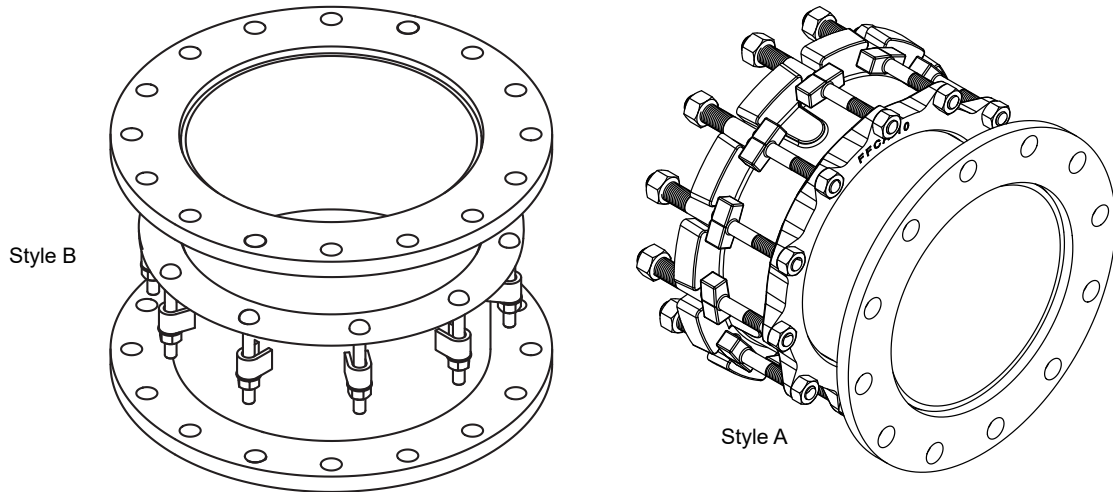


SUBMITTAL INFORMATION

Dismantling Joint - (FDJ-DxxX style)



DISMANTLING JOINT - CLASS D FLANGE



NOMINAL SIZE	CATALOG NUMBER	NOMINAL LENGTH	MINIMUM LENGTH	MAXIMUM LENGTH	STYLE	APPROX. WEIGHT	✓ SUBMITTED ITEM(S)
3"	FDJ-D3X	8-5/16"	7-1/2"	9-1/8"	A	31	
4"	FDJ-D4X	8-1/16"	7-1/8"	9"	A	39	
6"	FDJ-D6X	9"	8"	10"	A	59	
8"	FDJ-D8X	9-1/16"	8-1/8"	10"	A	80	
10"	FDJ-D10X	15-1/4"	13-1/2"	17"	B	93	
12"	FDJ-D12X	15-1/2"	14"	17"	B	165	
14"	FDJ-D14X	14-3/4"	13-1/4"	16-1/4"	B	192	
16"	FDJ-D16X	15"	13-1/2"	16-1/2"	B	249	
18"	FDJ-D18X	15-1/8"	13-5/8"	16-5/8"	B	270	
20"	FDJ-D20X	15-1/8"	13-5/8"	16-5/8"	B	310	
24"	FDJ-D24X	15-1/4"	13-3/4"	16-3/4"	B	396	
30"	FDJ-D30X	15-7/8"	14-3/4"	17"	B	605	
36"	FDJ-D36X	16-1/4"	15-1/4"	17-1/4"	B	971	
48"	FDJ-D48X	17-3/8"	15-3/4"	19"	B	1567	

FEATURES

- Flange: AWWA Class D flange, drilling per ANSI/AWWA C110/A21, ANSI B16.5 150 lb.
- Flange and adjusting pipe: ASTM A36 carbon steel
- Gaskets - Extruded SBR Rubber per ASTM D2000
- Bolts and nuts - Type 304 stainless steel per ASTM A193 and ASTM A194
- Coating - Black Enamel Shop Coat - NSF 61 Approved

The Ford Meter Box Company considers the information in this submittal form to be correct at the time of publication. Item and option availability, including specifications, are subject to change without notice. Please verify that your product information is current.



The Ford Meter Box Company, Inc.

P.O. Box 443, Wabash, Indiana U.S.A. 46992-0443
 Phone: 260-563-3171 / Fax: 800-826-3487
 Overseas Fax: 260-563-0167
 www.fordmeterbox.com

03/14/18

Submitted By: