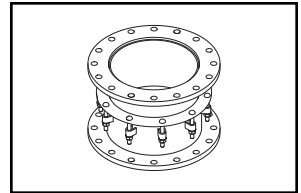
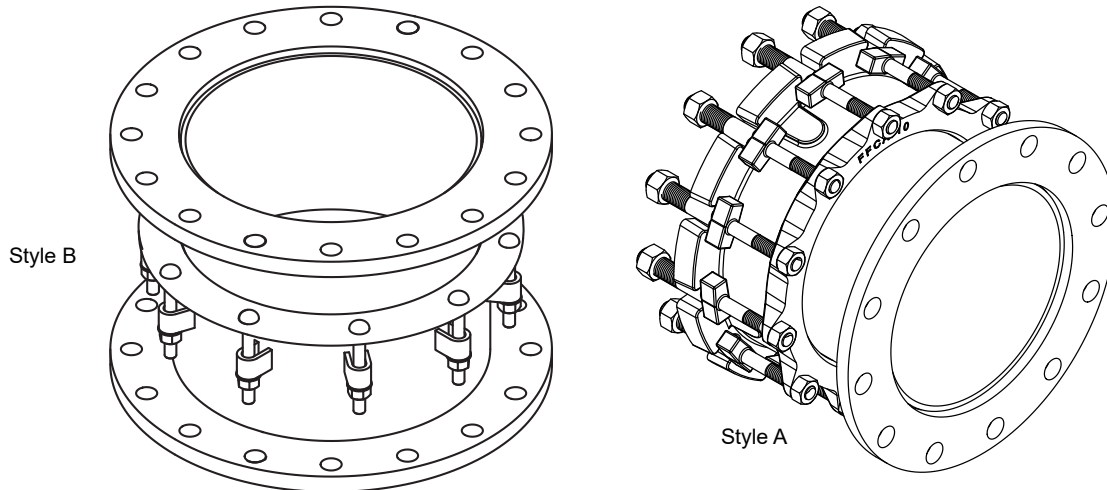


SUBMITTAL INFORMATION

Dismantling Joint - (FDJ-DxxY style)



DISMANTLING JOINT - CLASS D FLANGE



NOMINAL SIZE	CATALOG NUMBER	NOMINAL LENGTH	MINIMUM LENGTH	MAXIMUM LENGTH	STYLE	APPROX. WEIGHT	✓ SUBMITTED ITEM(S)
3"	FDJ-D3Y	8-5/16"	7-1/2"	9-1/8"	A	31	
4"	FDJ-D4Y	8-1/16"	7-1/8"	9"	A	39	
6"	FDJ-D6Y	9"	8"	10"	A	59	
8"	FDJ-D8Y	9-1/16"	8-1/8"	10"	A	80	
10"	FDJ-D10Y	15-1/4"	13-1/2"	17"	B	93	
12"	FDJ-D12Y	15-1/2"	14"	17"	B	131	
14"	FDJ-D14Y	14-3/4"	13-1/4"	16-1/4"	B	192	
16"	FDJ-D16Y	15"	13-1/2"	16-1/2"	B	249	
18"	FDJ-D18Y	15-1/8"	13-5/8"	16-5/8"	B	270	
20"	FDJ-D20Y	15-1/8"	13-5/8"	16-5/8"	B	310	
24"	FDJ-D24Y	15-1/4"	13-3/4"	16-3/4"	B	396	
30"	FDJ-D30Y	15-7/8"	14-3/4"	17"	B	605	
36"	FDJ-D36Y	16-1/4"	15-1/4"	17-1/4"	B	971	
48"	FDJ-D48Y	17-3/8"	15-3/4"	19"	B	1567	

FEATURES

- Flange: AWWA Class D flange, drilling per ANSI/AWWA C110/A21, ANSI B16.5 150 lb.
- Flange and adjusting pipe: ASTM A36 carbon steel
- Gaskets - Extruded SBR rubber per ASTM D2000
- Bolts and Nuts - Type 304 stainless steel
- Coating - Fusion bonded epoxy - NSF 61 Approved

The Ford Meter Box Company considers the information in this submittal form to be correct at the time of publication. Item and option availability, including specifications, are subject to change without notice. Please verify that your product information is current.



The Ford Meter Box Company, Inc.

P.O. Box 443, Wabash, Indiana U.S.A. 46992-0443

Phone: 260-563-3171 / Fax: 800-826-3487

Overseas Fax: 260-563-0167

www.fordmeterbox.com

02/13/18

Submitted By: