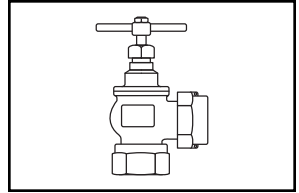
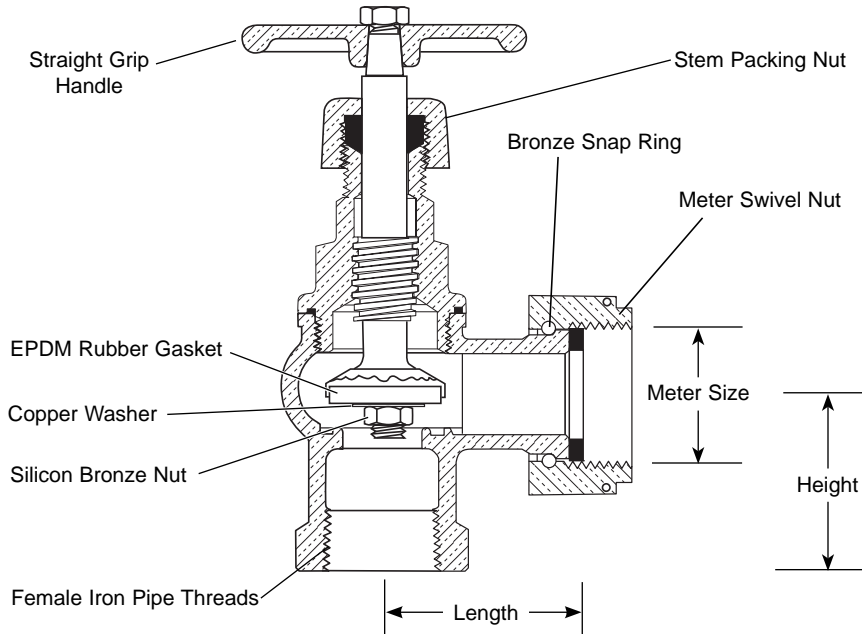


SUBMITTAL INFORMATION

Angle Compression Service Valve - (GA13-xxx-NL style)



FEMALE IRON PIPE THREAD INLET BY METER SWIVEL NUT OUTLET



VALVE SIZE	INLET SIZE	METER SIZE	LENGTH	HEIGHT	APPROX. WT. LBS	PART NUMBER	✓SUBMITTED ITEM(S)
3/4"	3/4"	5/8"	1-3/4"	1-5/8"	1.4	GA13-331-NL	
3/4"	3/4"	5/8"x3/4", 3/4"	1-3/4"	1-5/8"	1.5	GA13-332-NL	
1"	1"	1"	2"	1-7/16"	1.8	GA13-444-NL	

FEATURES

- All brass components that come in contact with potable water conform to AWWA Standard C800 (UNS NO C89833)
- The product has the letters "NL" cast into the main body for proper identification
- Brass components that do not come in contact with potable water conform to AWWA Standard C800 (ASTM B-62 and ASTM B-584, UNS NO C83600 - 85-5-5-5)
- Conforms to AWWA C700 for meter threads
- 150 PSI working pressure

The Ford Meter Box Company considers the information in this submittal form to be correct at the time of publication. Item and option availability, including specifications, are subject to change without notice. Please verify that your product information is current.



The Ford Meter Box Company, Inc.

P.O. Box 443, Wabash, Indiana U.S.A. 46992-0443

Phone: 260-563-3171 / Fax: 800-826-3487

Overseas Fax: 260-563-0167

<http://www.fordmeterbox.com>

01/16/14

Submitted By: