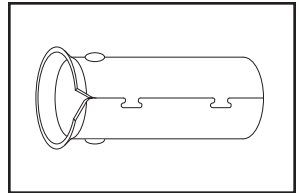
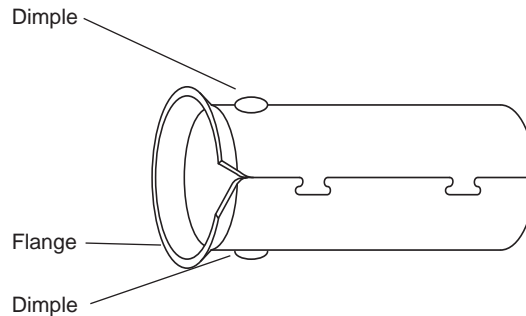


SUBMITTAL INFORMATION

Stainless Steel Inserts - (*Insert-xx or Insert-xx-DR11 style*)



STAINLESS STEEL INSERTS FOR PE 3408 HIGH DENSITY POLYETHYLENE



CATALOG NUMBER	NOMINAL SIZE & PIPE TYPE	DR	HDPE OD	NOMINAL ID	LENGTH	✓ SUBMITTED ITEM(S)
INSERT-51	3/4" CTS	9	0.875	0.68	1-35/64"	
INSERT-52	1" CTS	9	1.125	0.88	1-43/64"	
*INSERT-81-200	3/4" CTS	11	0.875	0.71	1-43/64"	
INSERT-53-72	1" IPS	11	1.315	1.055	2-5/16"	
INSERT-73-DR11	1-1/4" IPS	11	1.660	1.34	2-15/16"	
INSERT-74-DR11	1-1/2" IPS	11	1.900	1.53	2-15/16"	
INSERT-75-DR11	2" IPS	11	2.375	1.92	2-15/16"	

*Note: Insert-81-200 does not have dimples as shown above.

Before using Ford insert stiffeners, be sure inside pipe dimensions correspond to the above table.

FEATURES

- Insert stiffeners are solid 304 tubular stainless steel (ASTM 240-92B)
- Dimpled and flanged to retain placement within the service line
- Key lock construction with a minimum of two key locks to maintain solid structural integrity

Note: Consult pipe or tubing manufacturer for specific installation requirements. Ford recommends using insert stiffeners when using plastic pipe or tubing

The Ford Meter Box Company considers the information in this submittal form to be correct at the time of publication. Item and option availability, including specifications, are subject to change without notice. Please verify that your product information is current.



The Ford Meter Box Company, Inc.

P.O. Box 443, Wabash, Indiana U.S.A. 46992-0443

Phone: 260-563-3171 / Fax: 800-826-3487

Overseas Fax: 260-563-0167

<http://www.fordmeterbox.com>

11/29/12

Submitted By: