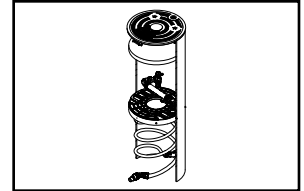


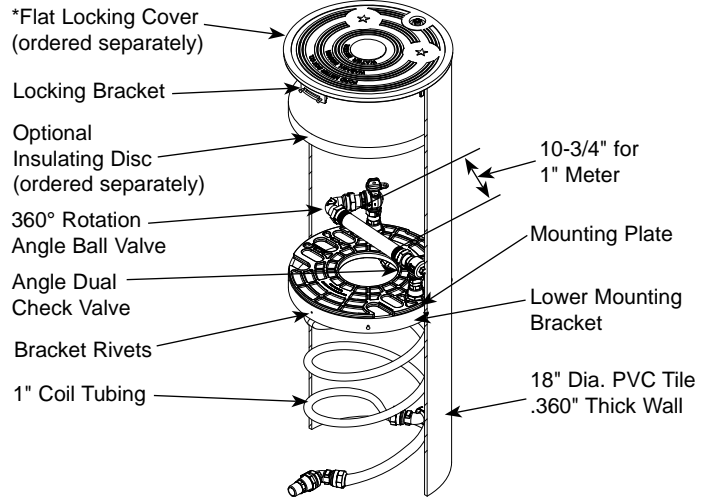
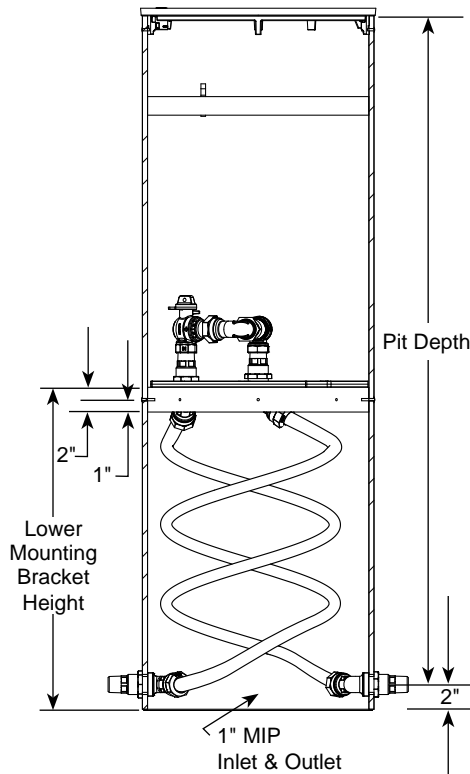
SUBMITTAL INFORMATION

Coil Pitsetter - (PFCBHH-488-18-xx-FP-R-NL style)



1" MALE IRON PIPE THREAD INLET AND OUTLET - FOR 1" METER

FLAT COVER* - FULL PORT ANGLE BALL VALVE INLET BY ANGLE CASCADING DUAL CHECK VALVE OUTLET



PIT DIAMETER AND DEPTH	LOWER MOUNTING BRACKET HEIGHT	CATALOG NUMBER	✓ SUBMITTED ITEM(S)
18" x 36"	14"	PFCBHH-488-18-36-FP-R-NL	
18" x 42"	20"	PFCBHH-488-18-42-FP-R-NL	
18" x 48"	26"	PFCBHH-488-18-48-FP-R-NL	
18" x 54"	26"	PFCBHH-488-18-54-FP-R-NL	
18" x 60"	26"	PFCBHH-488-18-60-FP-R-NL	
18" x 66"	26"	PFCBHH-488-18-66-FP-R-NL	
18" x 72"	26"	PFCBHH-488-18-72-FP-R-NL	
18" x 78"	26"	PFCBHH-488-18-78-FP-R-NL	
18" x 84"	26"	PFCBHH-488-18-84-FP-R-NL	
18" x 90"	26"	PFCBHH-488-18-90-FP-R-NL	
18" x 96"	26"	PFCBHH-488-18-96-FP-R-NL	

FEATURES

- All brass that comes in contact with potable water conforms to AWWA Standard C800 (ASTM B584, UNS C89833)
- The product has the letters "NL" cast into the main body for lead-free identification
- Brass components that do not come in contact with potable water conform to AWWA Standard C800 (ASTM B62 and ASTM B584, UNS C83600, 85-5-5-5)
- Lightweight body is made from 18" PVC tile, per ASTM D2241
- 1" HDPE coil tubing, per ASTM D2737, SDR 9 CTS sized
 - Coil complies with AWWA C901
 - Coil is NSF Standard 61 approved
 - Coil rated at 200 PSIG working pressure
 - Allows meter to be raised for meter access and lowered below the frost line to prevent meter and service line freeze-ups in colder climates
- Inlet and outlet valves are secured to a slotted, adjustable mounting plate
- ASSE 1024 approved Dual Check Valve on outlet
- Upper and lower mounting brackets secure the position of the mounting plate
- Male iron pipe service line connections are clearly identified for quick and easy installation
- Plastic idler included to maintain meter spacing and alignment during shipment
- *Flat cast iron locking cover, per ASTM A48, Class 25 (Part number: PPSC-18-L, ordered separately)
- Optional: Closed-cell polyethylene foam disc provides additional freezing protection (Part number: CCID-18 ordered separately)

The Ford Meter Box Company considers the information in this submittal form to be correct at the time of publication. Item and option availability, including specifications, are subject to change without notice. Please verify that your product information is current.



The Ford Meter Box Company, Inc.

P.O. Box 443, Wabash, Indiana U.S.A. 46992-0443
 Phone: 260-563-3171 / Fax: 800-826-3487
 Overseas Fax: 260-563-0167
 www.fordmeterbox.com

03/11/16

Submitted By: