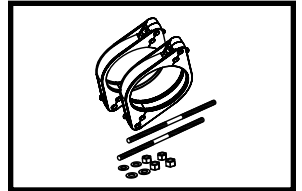


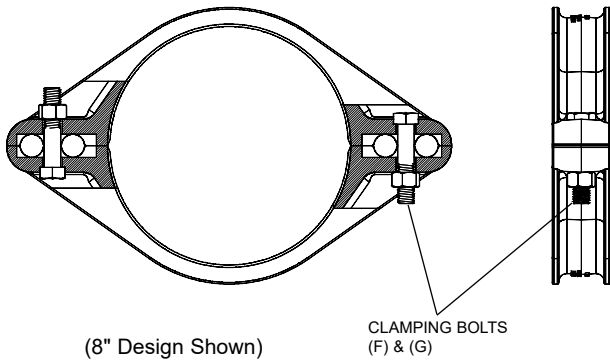
SUBMITTAL INFORMATION

Uni-Flange Series - (UFR1399-C-x-U100 style)

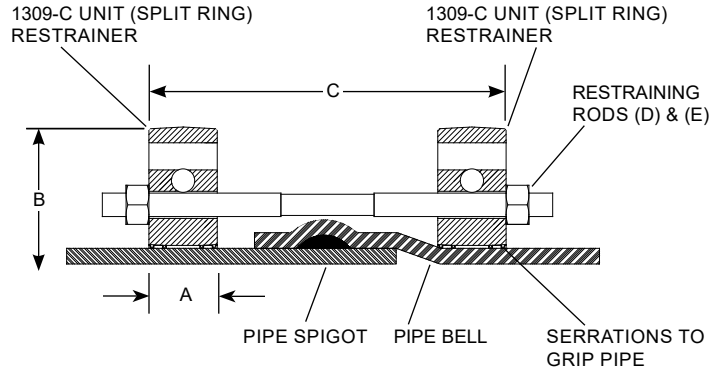


UNI-FLANGE SERIES 1399-C RESTRAINT DEVICE FOR DUCTILE IRON, C900 OR C909 PVC BELL JOINTS
CAST SIZES 4" - 8"

1309-C SPLIT RESTRAINER



1399-C ASSEMBLY



NOM PIPE SIZE	PVC PIPE WITH DI PIPE OD STYLE 1399-C		A	B APPROX.	C MAX	RESTRAINING BOLTS / RODS		CLAMPING BOLTS		BC MAX	BC MIN	APPROX. WT. LBS.	✓ SUBMITTED ITEM(S)
	OD	CATALOG No.				No. D	SIZE E	No. F	SIZE G				
4"	4.80	UFR1399-C-4-U100	2.2"	10.8"	15"	2	3/4" x 17"	4	5/8" x 3"	8.00"	7.24"	20.4	
6"	6.90	UFR1399-C-6-U100	2.2"	12.8"	15"	2	3/4" x 17"	4	5/8" x 3"	10.58"	9.58"	25.0	
8"	9.05	UFR1399-C-8-U100	2.2"	16.73"	15"	2	3/4" x 17"	4	3/4" x 3"	12.50"	11.50"	32.0	

FEATURES

- 4" - 8" sizes: Cast ductile iron per ASTM A536 grade 65-45-12
- Black e-coat epoxy coating
- 360° contact and support of the pipe wall
- Clamping pads and tie rod lugs co-located so installer doesn't have to work under the pipe.
- Restraining Rods (included) - High strength, low alloy steel ANSI / AWWA C111 / A21.11.
- Side Clamping Bolts and Nuts - Grade 5, zinc-plated
- Rated at full-rated pressure of any class of C900 and C909 PVC pipe, minimum 2:1 safety factor
- Rated at 250 psi on sizes 4"-8" on ANSI A21.51/AWWA C-151 ductile iron pipe
- Rated at full-rated pressure of any class of C906 HDPE pipe (provided an insert is used)

The Ford Meter Box Company considers the information in this submittal form to be correct at the time of publication. Item and option availability, including specifications, are subject to change without notice. Please verify that your product information is current.



The Ford Meter Box Company, Inc.
P.O. Box 443, Wabash, Indiana U.S.A. 46992-0443
Phone: 260-563-3171 / Fax: 800-826-3487
Overseas Fax: 260-563-0167
www.fordmeterbox.com

07/11/17

Submitted By: