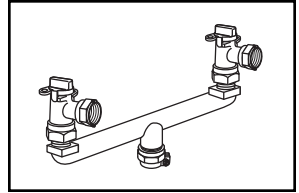
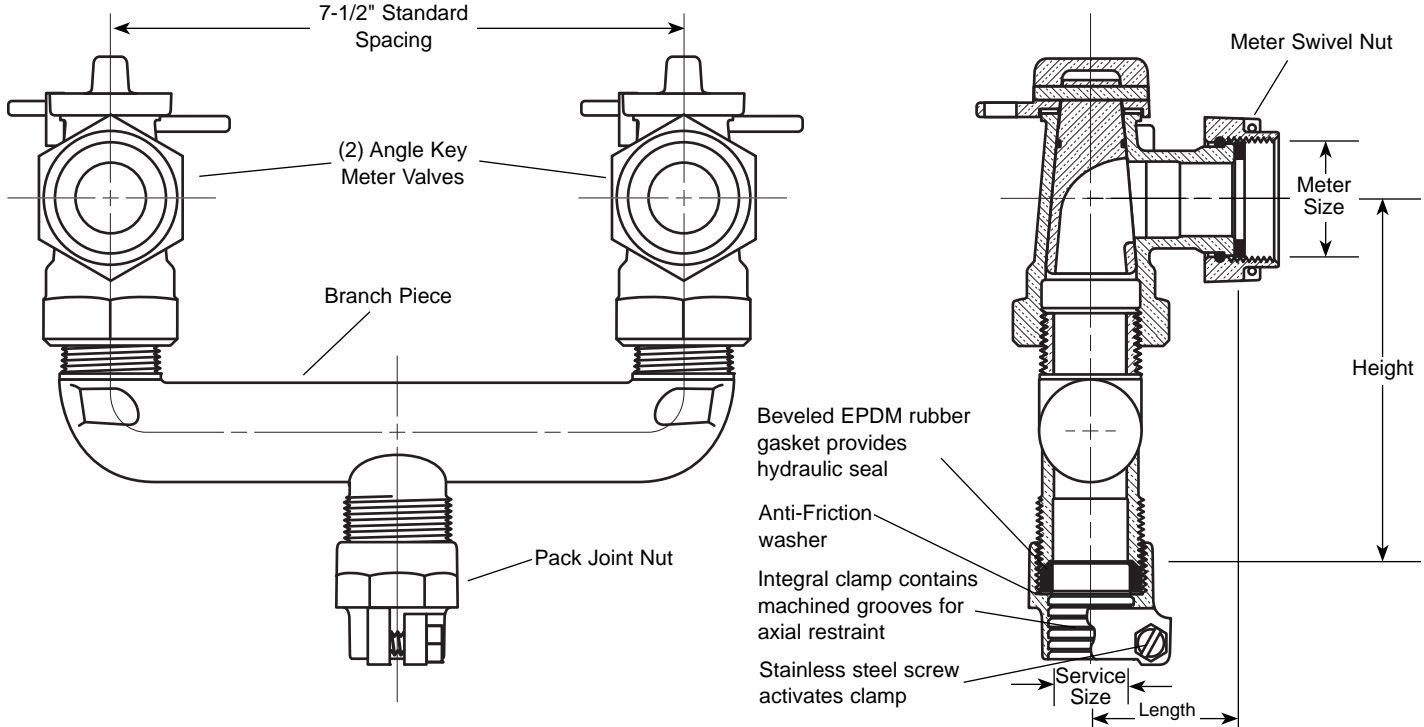


SUBMITTAL INFORMATION

Key Valve Branch Assembly - (UV63-xxW-NL style)



PACK JOINT FOR POLYETHYLENE PIPE (PEP) INLET BY TWO METER SWIVEL NUT OUTLETS



SERVICE SIZE	METER SIZE	LENGTH	HEIGHT	APPROX. WT. LBS.	Components		Assembly	✓ SUBMITTED ITEM(S)
					BRANCH PIECE	VALVES (2)	CATALOG NUMBER	
3/4"	5/8"	1-11/16"	4-5/16"	4.4	U68-33-NL	KV13-331W-NL	UV63-31W-NL	
3/4"	5/8" x 3/4" or 3/4"	1-11/16"	4-5/16"	4.6	U68-33-NL	KV13-332W-NL	UV63-32W-NL	
1"	5/8"	1-11/16"	4-5/16"	4.7	U68-43-NL	KV13-331W-NL	UV63-41W-NL	
1"	5/8"	1-11/16"	4-5/16"	4.5	U68-43-65-NL	KV13-331W-NL	* UV63-1W-65-NL	
1"	5/8" x 3/4" or 3/4"	1-11/16"	4-5/16"	4.9	U68-43-NL	KV13-332W-NL	UV63-42W-NL	
1"	5/8" x 3/4" or 3/4"	1-11/16"	4-5/16"	4.7	U68-43-65-NL	KV13-332W-NL	* UV63-2W-65-NL	
1-1/4"	5/8"	1-11/16"	4-3/4"	5.0	U68-53-NL	KV13-331W-NL	UV63-51W-NL	
1-1/4"	5/8" x 3/4" or 3/4"	1-11/16"	4-3/4"	5.2	U68-53-NL	KV13-332W-NL	UV63-52W-NL	

* Available with 6-1/2" spacing between centers of meter valves. Add "-65" to catalog number.

Note: Ford recommends using insert stiffeners with plastic pipe and tubing.

FEATURES

- All brass that comes in contact with potable water conforms to AWWA Standard C800 (ASTM B584, UNS C89833)
- The product has the letters "NL" cast into the main body for lead-free identification
- Brass components that do not come in contact with potable water conform to AWWA Standard C800 (ASTM B62 and ASTM B584, UNS C83600, 85-5-5-5)
- All Branch Valve Assemblies have Padlock Wings
- Meter gaskets are furnished with all Branch Valve Assemblies
- Meets 100 PSI pressure requirements of AWWA Standard C800
- Conforms to AWWA C700 for Meter Threads

The Ford Meter Box Company considers the information in this submittal form to be correct at the time of publication. Item and option availability, including specifications, are subject to change without notice. Please verify that your product information is current.



The Ford Meter Box Company, Inc.

P.O. Box 443, Wabash, Indiana U.S.A. 46992-0443

Phone: 260-563-3171 / Fax: 800-826-3487

Overseas Fax: 260-563-0167

www.fordmeterbox.com

11/11/15

Submitted By: